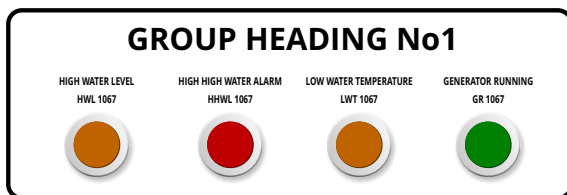


### Description

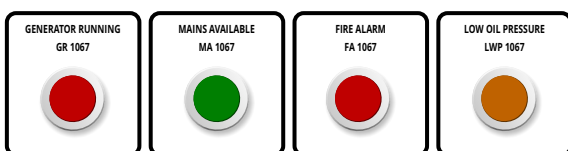
The Mertech mimic annunciator panel is a remote status system in a wall mounted enclosure. The panels are in a number of different configurations from 4 ways up to 48 ways. Each way includes a door mounted LED indicator which energises from an external normally open (NO) volt-free relay contact. For Normally closed contacts please call and discuss.

The panel includes a 230V 50Hz / 12V DC power supply with optional battery back up to ensure the panel works on loss of supply. A front door mounted 'Test Lamp' pushbutton is fitted to give confirmation that all indicators are healthy.

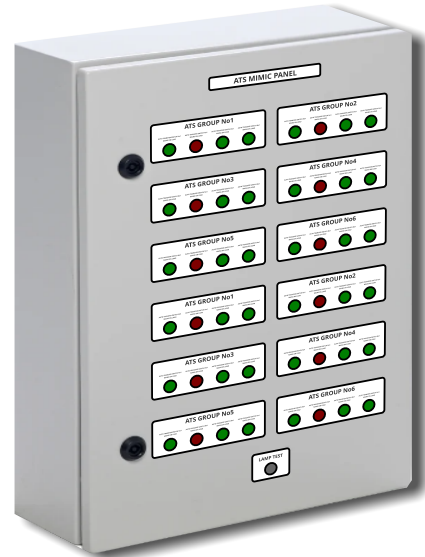
### Label Design



Grouped Alarm Status Indicator Label



Individual Status Indicator Labels



Labels are fully customisable. A design sheet is available as a pdf to be printed off and filled in manually. This gives all the details of the status lamp. Status indicators can be individual or grouped together with a group heading.

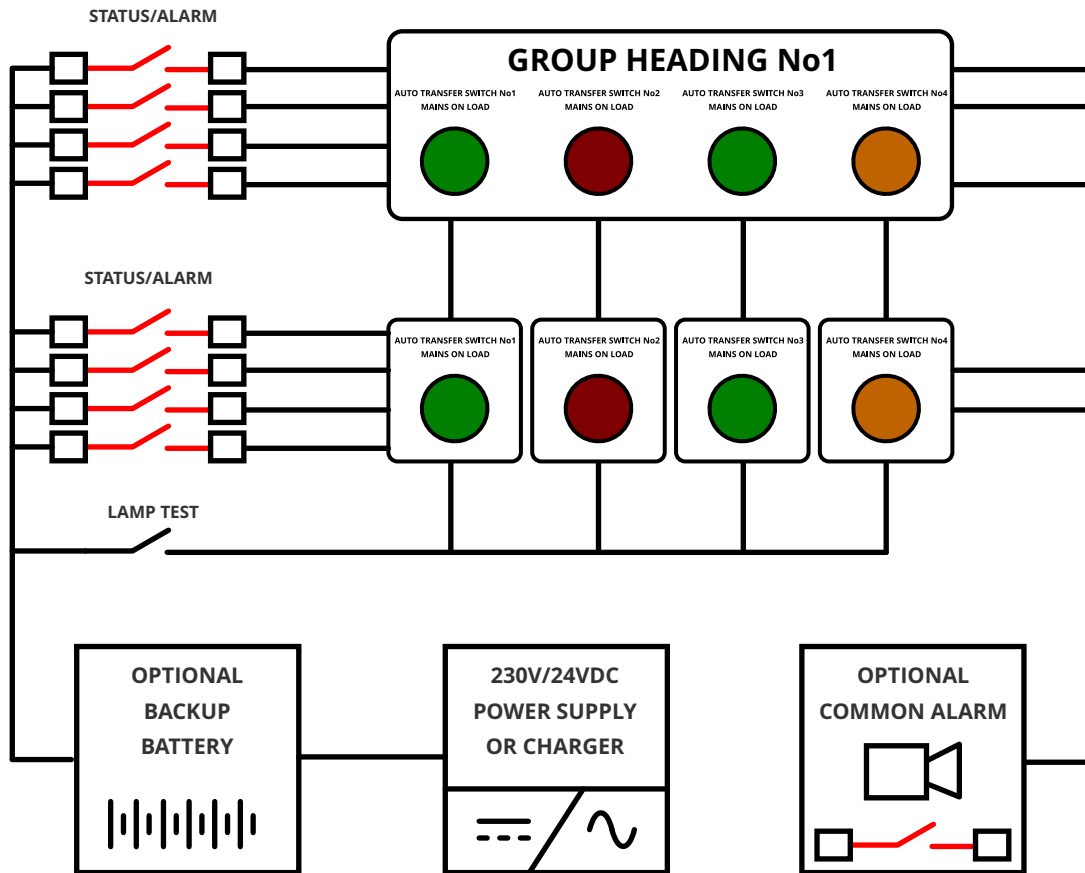
### Panel Details

- Supply Voltage 230V 50Hz
- 12V DC LED Indicators with common 'Lamp Test'
- Atmosphere: Indoor, fine particles of dust
- Ambient Temp: Max +30°C Min + 5°C
- Enclosure Protection: IP 55 to IEC60529

### Dimensions

Stainless Part	Painted Part	No of Ways	Height	Width	Depth
S-MS*-4W	S-MP*-4W	4 Way	300**	300**	155
S-MS*-8W	S-MP*-8W	8 Way	300**	300**	155
S-MS*-12W	S-MP*-12W	12 Way	300**	300**	155
S-MS*-16W	S-MP*-16W	16 Way	400**	300**	155
S-MS*-24W	S-MP*-24W	24 Way	600**	400**	155
S-MS*-36W	S-MP*-36W	36 Way	600**	400**	155
S-MS*-48W	S-MP*-48W	48 Way	600**	500**	155

### Schematic



### Optional Battery with Charger



### Optional Common Alarm

Any number of status or alarm circuits can be grouped together to feed a relay with an output contact for external use for the buildings SCADA or BMS system. An audible alarm is fitted in the panel with mute pushbutton which latches until the alarm has been removed. It is then reset awaiting next alarm.

### Enclosure Options

The material options are available for the panels:

- Brushed Stainless Steel
- Grey Painted Mild Steel

The following mounting options are available:

- Surface Mounted

