

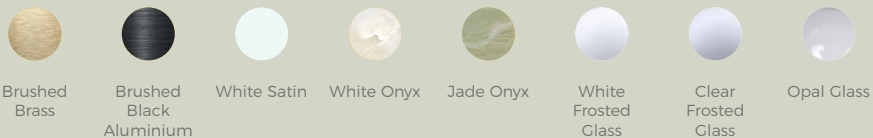
# Aurelia Wall Light, Large

The Aurelia Wall light offers an ethereal ambience to any residential or commercial interior. Available in either white or jade stone, in both small and large sizes, the Aurelia Wall light can be installed on both walls and ceilings with and without cornices.

## Details

Size (mm) Large w/ Cornice	885h x 170w x 400d
Size (mm) Large NO Cornice	885h x 170w x 320d
Glass shade	60mm
Lamp base	G9 push fit
Lamp	220-280V 5W 3000K 370lm LED 100-130V 4.5W 3000K 450lm LED
Voltage	220-280V or 100-130V
Dimmable	Lamp included is compatible with most brand name dimmers
Weight	5.7kg
IP	IP44
Certification	CE UK CA
Note 1	Stone is a natural product and can vary in colour, tone and vein.
Note 2	Heavy item. Reinforcement behind substrate may be required. Please check with installer prior to installation. Suitable fixings required.

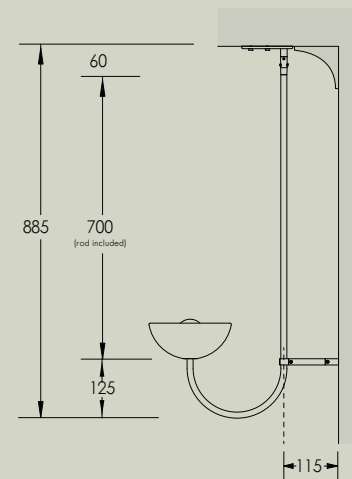
## Finishes



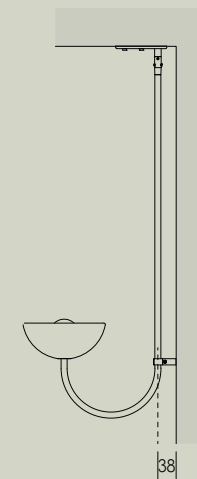
Front view



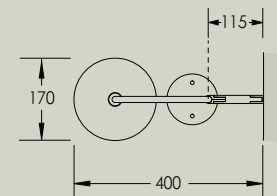
Side view  
Large with Cornice



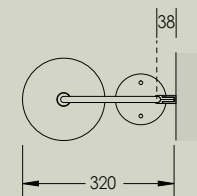
Side view  
Large NO Cornice



Bottom view  
Large with Cornice



Bottom view  
Large NO Cornice



# Aurelia Wall Light, Small

The Aurelia Wall light offers an ethereal ambience to any residential or commercial interior. Available in either white or jade stone, in both small and large sizes, the Aurelia Wall light can be installed on both walls and ceilings with and without cornices.

## Details

Size (mm) Small w/ Cornice	850h x 170w x 330d
Size (mm) Small NO Cornice	850h x 170w x 250d
Glass shade	60mm
Lamp base	G9 push fit
Lamp	220-280V 5W 3000K 370lm LED 100-130V 4.5W 3000K 450lm LED
Voltage	220-280V or 100-130V
Dimmable	Lamp included is compatible with most brand name dimmers
Weight	5.7kg
IP	IP44
Certification	CE UK CA
Note 1	Stone is a natural product and can vary in colour, tone and vein.
Note 2	Heavy item. Reinforcement behind substrate may be required. Please check with installer prior to installation. Suitable fixings required.

## Finishes



Brushed Brass



Brushed Black Aluminium



White Satin



White Onyx



Jade Onyx



White Frosted Glass

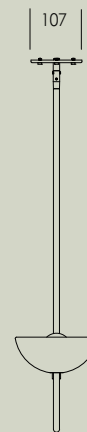


Clear Frosted Glass

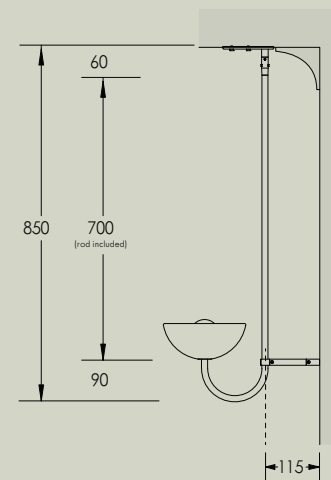


Opal Glass

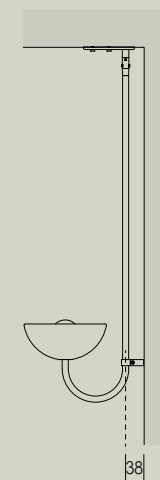
Front view



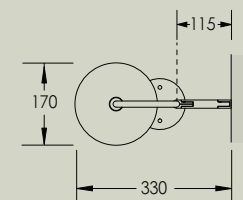
Side view  
Small with Cornice



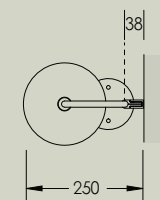
Side view  
Small NO Cornice



Bottom view  
Small with Cornice



Bottom view  
Small NO Cornice



# Fixing details

Supplied with a fully customisable solid metal rod.



## Solid Rod

5 x Rod lengths available. Connect as many rods together to achieve your desired drop length. Supplied with a "hang-straight" which allows the pendant to be installed on an angled ceiling.

**Standard rod length included: 700mm**

Other rod lengths include (mm): 90 / 127 / 300 / 500 / 700  
The maximum overall rod combination length is 3m.

## Finishes



Brushed  
Brass



Brushed  
Black  
Aluminium

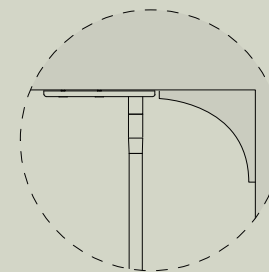


White  
Powder  
coat

## Cornice?

If you have a cornice you will need to order an Extension piece to install the light.

The Extension allows for 115mm set-off from the wall.  
Please check on-site.



If you are installing the light to a ceiling with a **cornice**, you will require an Extension piece to space the light **115mm** from the wall

