

Aurelia Double Pendant

Available in small and large sizes in white or jade stone, the Aurelia Double Pendant forms part of a new celestial range of residential and commercial lighting. Defined by soft balance and symmetry, this dual-light source combines contemporary and classic parts through a chandelier-style design.

Details

Size (mm) Small	850h x 450w x 170d
Size (mm) Large	885h x 590w x 170d
Glass shade	60mm x 2
Lamp base	G9 push fit x 2
Lamp	220-280V 5W 3000K 370lm LED x 2 100-130V 4.5W 3000K 450lm LED x 2
Voltage	220-280V or 100-130V
Dimmable	Lamp included is compatible with most brand name dimmers
Weight	9.7kg
IP	IP44
Certification	CE UK CA
Note 1	Stone is a natural product and can vary in colour, tone and vein.

Finishes



Brushed Brass



Brushed Black Aluminium



White Satin



White Onyx



Jade Onyx



White Frosted Glass

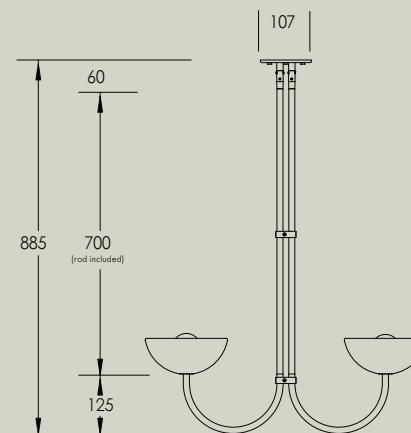


Clear Frosted Glass

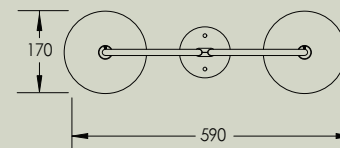


Opal Glass

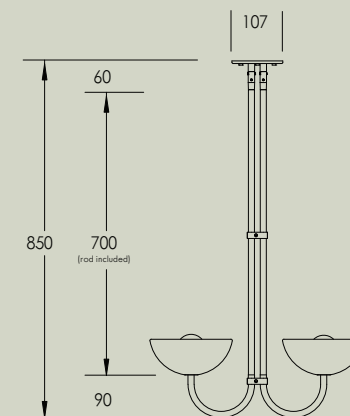
Front view Large



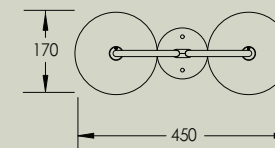
Bottom view Large



Front view Small



Bottom view Small



Pendant details

Supplied with a fully customisable solid metal rod and hang straight.



Solid Rod

5 x Rod lengths available. Connect as many rods together to achieve your desired drop length. Supplied with a "hang-straight" which allows the pendant to be installed on an angled ceiling.

Standard rod length included: 700mm

Other rod lengths include (mm): 90 / 127 / 300 / 500 / 700
The maximum overall rod combination length is 3m.

Finishes



Brushed
Brass



Brushed
Black
Aluminium



White Satin

