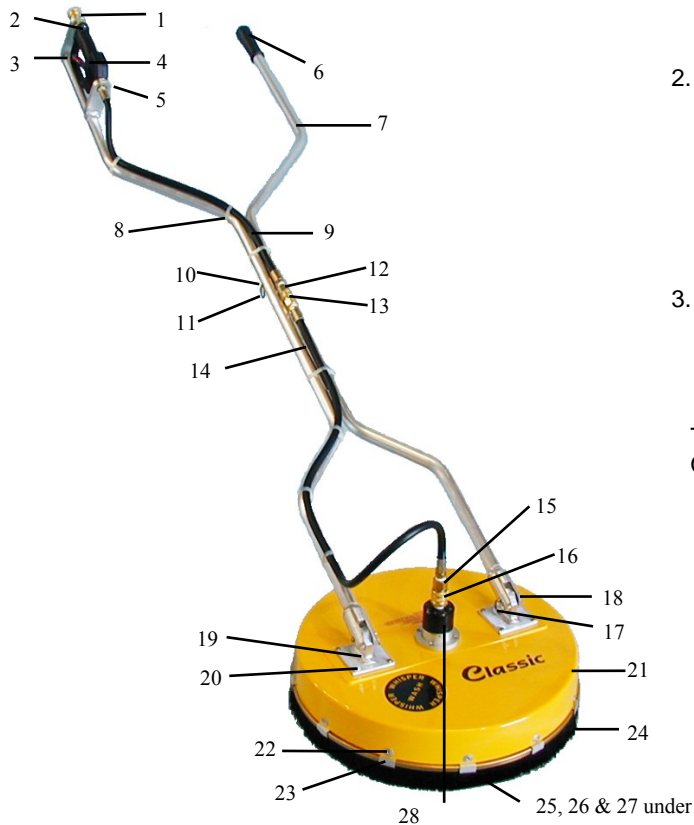


Classic Parts List

WW2000



- Important!**
1. Monitor “weep holes” on top of swivel often. Water should seep out slowly; if water shoots out, stop and replace seals.
 2. For maximum effectiveness keep spray tips clean. If the machine vibrates, stop and clean spray tips. Remove tip to be sure the opening is free of dirt. Wrap tips with teflon tape or thread sealant and insert tips the same number of rotation on each end. The opening in the tip should be parallel with the spray bar.
 3. Keep brush free of debris. Relace the brush if the height is less than 1 3/4 inches.

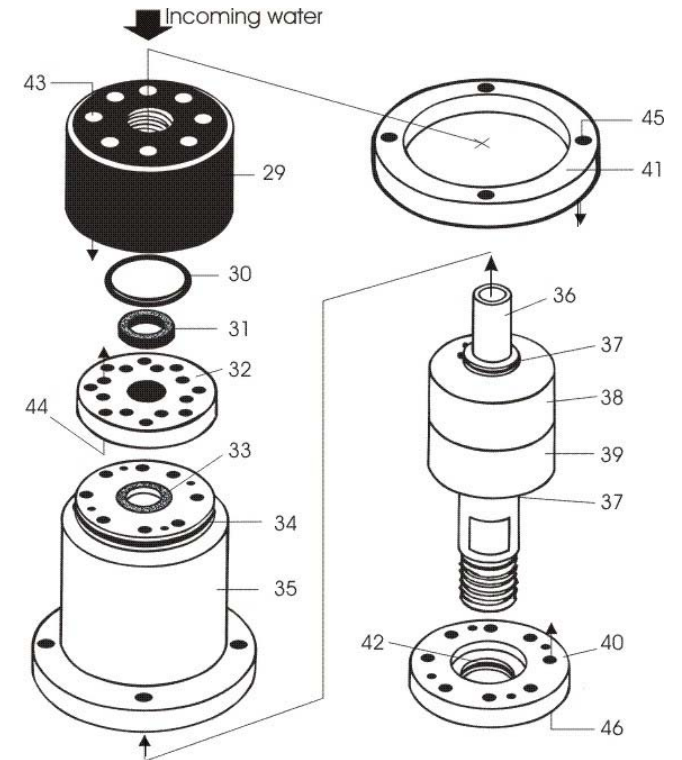
The swivel assembly is rebuildable.
Order:

Seal Kit P/N WW200
Bearings P/N WW138

P/N	Qty	P/N	Qty		
1. WW104	Male Socket	1	13. WW116	Female Socket	1
2. WW105	Reducer	1	14. WW117	Lower Hose	1
3. WW106	Cap	1	15. WW118	Female Plug	1
4. WW107	Trigger Gun	1	16. WW119	Male Socket	1
5. WW108	Set Screws	2	17. WW120	Ring	2
6. WW109	Grip	1	18. WW121	Clevis Pin	2
7. WW110	Handle Assembly	1	19. WW122	Handle Base	2
8. WW111	Tie Wraps	7	20. WW123	Screws/Nyloc	8
9. WW112	Upper Hose	1	21. WW124	Cover	1
10. WW113	Clevis Pin	1	22. WW125	Rivets	12
11. WW114	Ring	1	23. WW126	Clips	12
12. WW115	Female Plug	1	24. WW127	Brush	1

Swivel Assembly Parts List

WW128



P/N	Qty	P/N	Qty		
25. WW300	Balanced Spray Bar	1	36. WW136	Rotor Shaft	1
26. WW301	Spray Tip #2502	2	37. WW137	Snap Ring	2
27. WW400	Reducer -swivel to bar	1	38. WW138	Bearing	1
28. WW128	Swivel Assembly	1	39. WW139	Bearing	1
29. WW129	Seal Cap	1	40. WW140	Lower Plate	1
30. WW130	*Static O-Ring	1	41. WW141	Clamp Ring	1
31. WW131	*Main Seal	1	42. WW142	*Quad Seal	1
32. WW132	Upper Plate	1	43. WW143	8-32 SHCS	8
33. WW133	*Secondary Seal	1	44. WW144	6-32 SHCS	8
34. WW134	*Static O-Ring	1	45. WW145	10-32 SHCS	4
35. WW135	Bearing Housing	1	46. WW146	6-32SHCS	8
WW200	Seal Kit (to rebuild swivel assembly)		Main seal and secondary seal are inserted with the spring facing incoming water.		