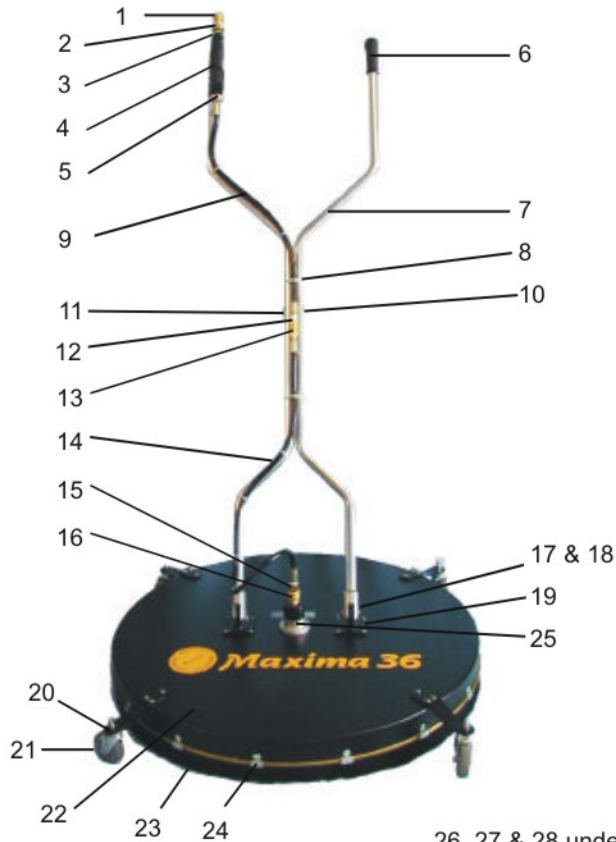


Maxima 36 Parts List

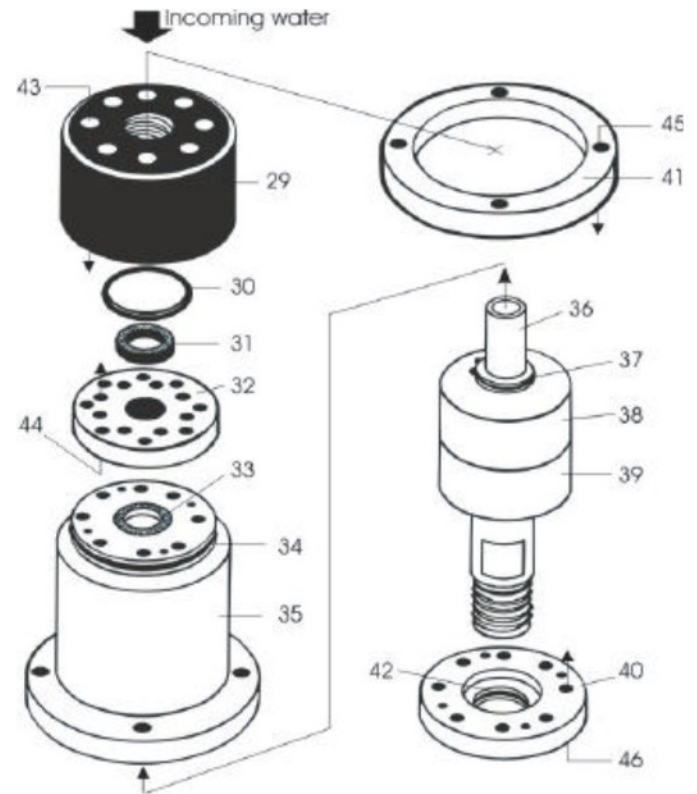


26, 27 & 28 under cover

P/N	Qty	P/N	Qty		
1. WW104	Male Socket	1	15. WW118	Female Plug	1
2. WW105	Reducer	1	16. WW119	Male Socket	1
3. WW106	Cap	1	17. WW120	Ring	2
4. WW107	Trigger Gun	1	18. WW121	Clevis Pin	2
5. WW 108	Set Screws	2	19. WW122B	Handle Base	2
6. WW109	Grip	1	20. UC413WW	Wheel Bracket	4
7. WW110	Handle Assembly	1	21. UC414WW	Wheel	4
8. WW111	Tie Wraps	7	22. MAX636	Cover	1
9. WW112	Upper Hose	1	23. MAX627	Brush	1
10. WW113	Clevis Pin	1	24. WW3116	Rivet & Clips	14
11. WW114	Ring	1	25. WW128	Swivel Assembly	1
12. WW115	Female Plug	1	26. MAX635	Spray Bar	1
13. WW116	Female Socket	1	27. MAX601	Spray Tips 40025	2
14. WW117	Lower Hose	1	28. WW400	Reducer - swivel to spraybar	1

Swivel Assembly WW128 Parts List

Patent #6029695



P/N	Qty	P/N	Qty		
29. WW129	Seal Cap	1	38. WW138	Bearing	1
30. WW130	*Static O-Ring	1	39. WW139	Bearing	1
31. WW131	*Main Seal	1	40. WW140	Lower Plate	1
32. WW132	Upper Plate	1	41. WW141	Clamp Ring	1
33. WW133	*Secondary Seal	1	42. WW142	*Quad Seal	1
34. WW134	*Static O-Ring	1	43. WW143	8-32 SHCS	8
35. WW135	Bearing Housing	1	44. WW144	6-32 SHCS	8
36. WW136	Rotor Shaft	1	45. WW145	10-32 SHCS	4
37. WW137	Snap Ring	2	46. WW146	6-32 SHCS	8

*WW200 Seal Kit available to rebuild swivel assembly
Main seal and secondary seal are inserted with the spring facing incoming water.