



# V Series

- Top Quality German Craftsmanship
- Super Bright LED Illumination
- Micro Balanced Articulation
- Dual Beam Light Prism
- Inclinable 0-210° Binocular
- Fine Focusing Objective Lens

Designed and Produced  
in Germany

**JEDMED**



# Two beams of light for superior contrast, clarity and shadow reduction



The V Series utilizes unsurpassed German engineering and craftsmanship incorporated into a fundamental, reliable and very durable design. This combination provides the needed magnification, illumination and flexibility required by Dental Professionals.

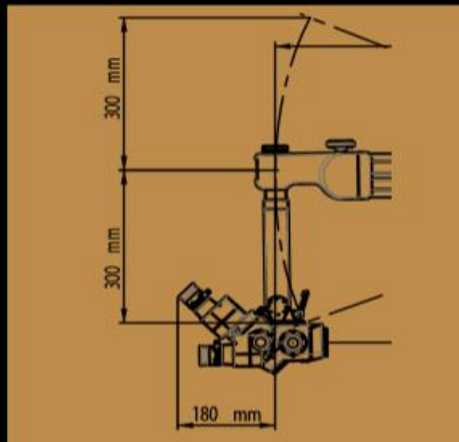


## Highlights & Features

- Top quality German optics
- V Series prism which floods the field from above and below the sight path
- High output LED fiberoptic light source
- Manual 3-step / 5-step or 6:1 zoom magnification changers available
- Inclinable binocular 0-210° with precision pupillary distance fine adjustment
- High eyepoint eyepieces 12.5X with diopter adjustments and locks
- Fine Focusing Objective Lens (choose 200mm or 250mm)
- Dual articulating manipulation handle for easy movement
- Adjustable spring assisted suspension arm with lock
- Auto-switch control of light source
- Available mobile floorstand / wall mount / ceiling mount



The Kaps Optik Company has been manufacturing these exquisite microscopes for over 50 years in Asslar/Wetzlar, Germany.



Decades of precision craftsmanship have been devoted to the creation and design of our microscopes.



The same first quality optics used in other German microscopes are integrated into the V Series.



All of the controls and articulation joints incorporate the most sophisticated level of mechanical expertise. (Shown with optional 45° wedge)