

S-II Patient Exam Chair



Synchronized Comfort

The backrest, armrests, and the footrest of the S-II chair are synchronized to give more comfortable support to the patient as the chair is manually reclined. In the event of a faint patient, this action may be performed more quickly than a motorized chair. The S-II chair reclines into a perfectly flat table. The adjustable headrest is completely removable and the armrests can be lifted out of the way in the seated position. The S-II chair is available in either a manual pump base or a motorized lift base, both allowing 360° rotation with lock.



Show on motorized base

S-II Features



Independently operated armrests can be lifted out of the way, allowing the patient to enter and exit the chair comfortably.



The S-II is available in either a manual pump base or a motorized lift base, both allowing for 360° rotation with lock.



The footrest provides comfort and support for the patient's feet during an examination or procedure and is synchronized with the chair during recline.



A conveniently located handle on each side of the chair allows the user to easily maneuver the chair into any desired position by simply depressing it.



The S-II upholstery is protected by PreFixx® which allows it to be safely and easily cleaned and disinfected without discoloration or damage to the upholstery.



Multiple headrest options are available from basic fixed headrests to fully articulating, or a quick-change option that allows for a multitude of easy-to-swap headrest options.

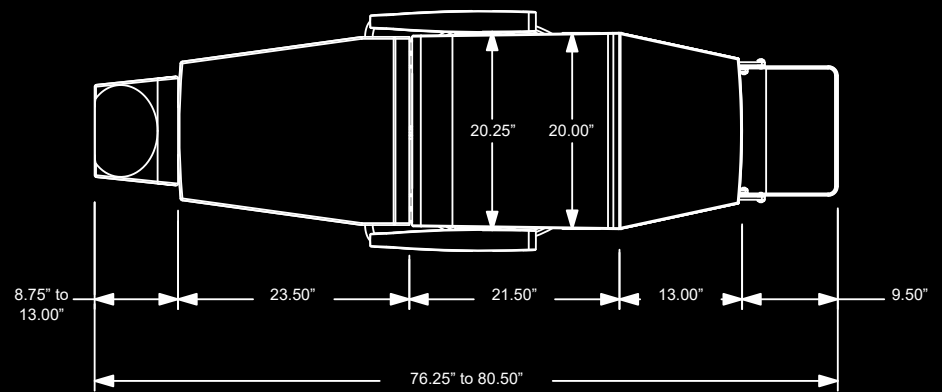
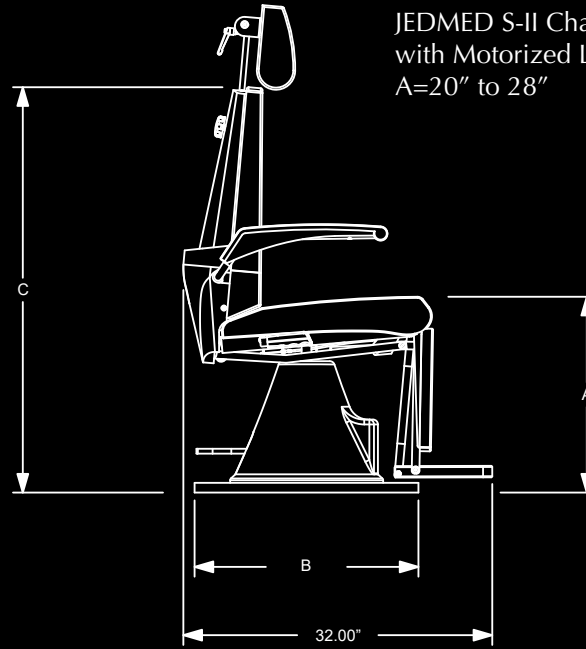
Options & Accessories

- Fully articulating headrest
- 115V or 220V (electric base only)
- 20" gooseneck chair light
- Child booster seat
- 12 designer colors
- Quick-Change headrests



JEDMED S-II Chair
with Manual Pump Base
A=19.5" to 27" B=26.75" C=41.25"

JEDMED S-II Chair
with Motorized Lift Base, 110V / 220V
A=20" to 28" B=23.00" C=41.50"



“Quick-Change” Headrest Coupling - Available Option on ALL Chairs



“Quick-Change” headrest coupling option allows you to effortlessly change the headrest depending on your procedural needs.



“Quick-Change” headrest coupling is standard on the OS1 Chair

Quick Change Headrest Options - Available on ALL Chairs



Standard Headrest



Comfort Headrest



Stretch / Pillow Headrest



Full Rubberized Concave
Headrest
*available in black only



Half Rubberized Spherical
Headrest
*available in black only