

Office Exam Chairs



JEDMED

Phoenix IV Fully Mobile Full Power Exam Chair



Modern Engineering.....Easy to Operate.....Built to Last

The Phoenix IV Full Power Exam Chair was specifically designed with the Head & Neck specialist in mind. The chair utilizes industrial strength motors, solid steel construction, and modern engineering to meet the demands of your busy practice. The chair is designed to be comfortable for the patient yet functional for the physician. From its conveniently located low voltage membrane switches, to its powerful lift capabilities and full mobility, the Phoenix IV Chair is designed to meet your specific needs. The Phoenix IV Chair, designed in the USA, will provide you many years of trouble free service. The Phoenix IV Chair fully reclines to a flat position for minor procedure applications. Specially designed anatomical backrest provides support for the patient's arms to be comfortably at their sides. An ergonomically designed lumbar support adds to the patient's comfort while keeping the head properly positioned for easy access.



Flexibility.....Comfort.....Stability



An electro-mechanical drive system controls all functions of the chair with the push of a button.



All chair functions are controlled by low voltage membrane switches. Chair functions include: height, recline, 3 programmable positions, and an auto-return feature.



A conveniently located brake lever located on both sides of the chair provide lock rotation stability when needed.



The optional fully articulating headrest gives you more flexibility for procedures that require the head be in a specific position.



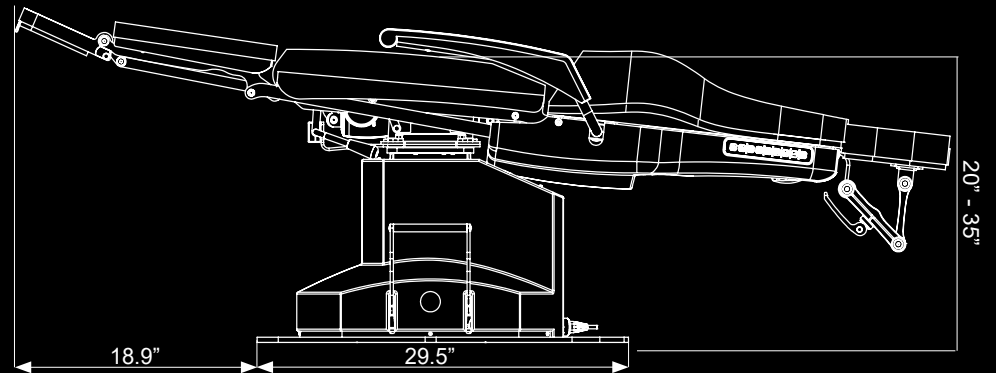
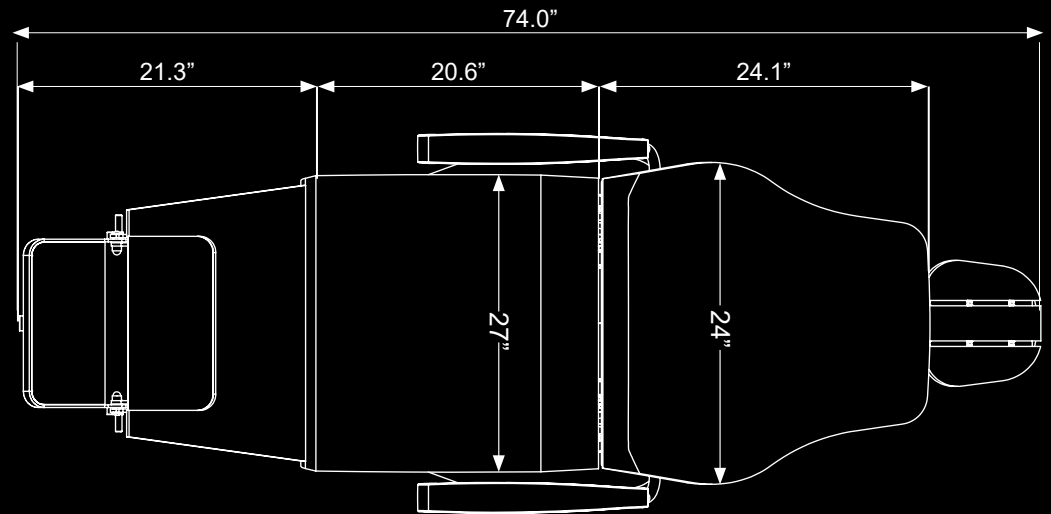
Phoenix IV Chair armrests swing out of the way allowing easy entry and exit for the patient. This feature is useful in procedures that require the physician to be close to the patient.



The fully synchronized footrest provides comfort and support for the patient's feet during an examination or procedure.

Options & Accessories

- Fully articulating headrest
- 115V 60HZ or 230V 50Hz
- 20" gooseneck chair light
- Child booster seat
- 12 designer colors
- Quick-Change headrests
- Foot control
- Ultra Leather upholstery
(contact JEDMED for Ultra Leather upholstery chart)



S-II Plus Full Power Exam Chair



Multipurpose & Simple to Operate

This full power exam chair is designed to meet the needs of a busy practice. A convenient membrane switch located on each side of the chair allows you to easily maneuver the patient to the desired position. With just the push of a button, the backrest, synchronized with the footrest portion of the chair reclines, and can form a flat table. In addition, an auto-return button is located on the switch panel which quickly returns the chair to a seated position.



S-II Plus Features



Independently operated armrests can be lifted out of the way, allowing the patient to enter and exit the chair comfortably.



By simply depressing the foot lever located on the base of the chair, the S-II Plus becomes instantly mobile and allows the user to easily move the chair to another location (optional)



A convenient membrane switch located on each side of the chair allows you to easily maneuver the patient to the desired position with just the push of a button.



A conveniently located brake handle on each side of the chair allows the user to easily lock the chair rotation during a procedure.



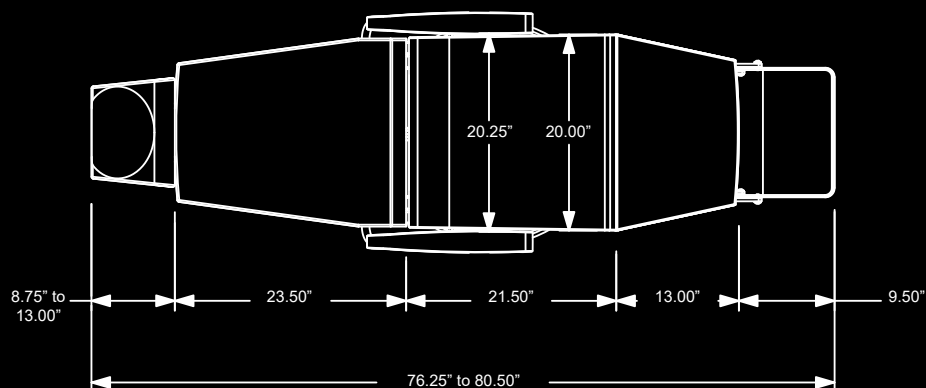
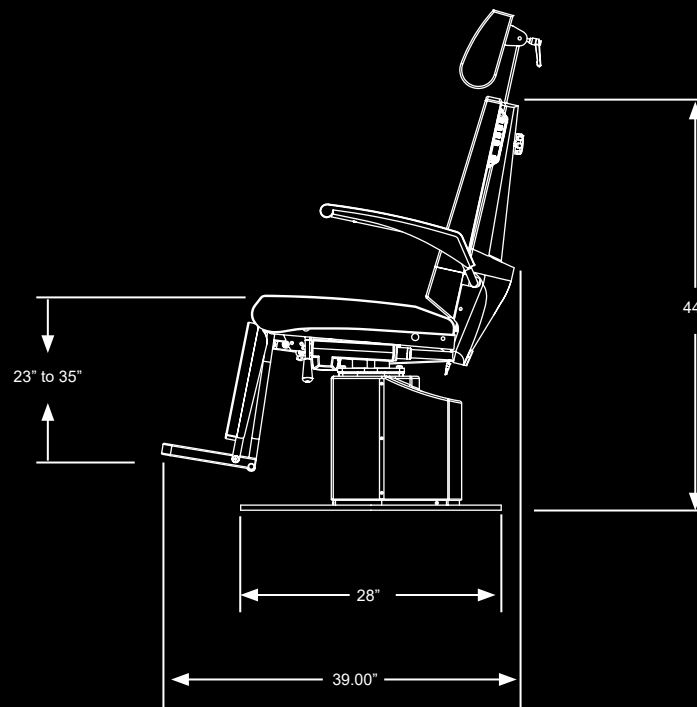
The footrest provides comfort and support for the patient's feet during an examination or procedure and is synchronized with the chair during recline.



Multiple headrest options are available from basic fixed headrests to fully articulating, or a quick-change option that allows for a multitude of quick, easy-to-swap headrest options.

Options & Accessories

- Fully articulating headrest
- 115V or 220V (electric base only)
- 20" gooseneck chair light
- Child booster seat
- 12 designer colors
- Quick-Change headrests



S-II Patient Exam Chair



Synchronized Comfort

The backrest, armrests, and the footrest of the S-II chair are synchronized to give more comfortable support to the patient as the chair is manually reclined. In the event of a faint patient, this action may be performed more quickly than a motorized chair. The S-II chair reclines into a perfectly flat table. The adjustable headrest is completely removable and the armrests can be lifted out of the way in the seated position. The S-II chair is available in either a manual pump base or a motorized lift base, both allowing 360° rotation with lock.



Show on motorized base

S-II Features



Independently operated armrests can be lifted out of the way, allowing the patient to enter and exit the chair comfortably.



The S-II is available in either a manual pump base or a motorized lift base, both allowing for 360° rotation with lock.



The footrest provides comfort and support for the patient's feet during an examination or procedure and is synchronized with the chair during recline.



A conveniently located handle on each side of the chair allows the user to easily maneuver the chair into any desired position by simply depressing it.



The S-II upholstery is protected by PreFixx® which allows it to be safely and easily cleaned and disinfected without discoloration or damage to the upholstery.



Multiple headrest options are available from basic fixed headrests to fully articulating, or a quick-change option that allows for a multitude of easy-to-swap headrest options.

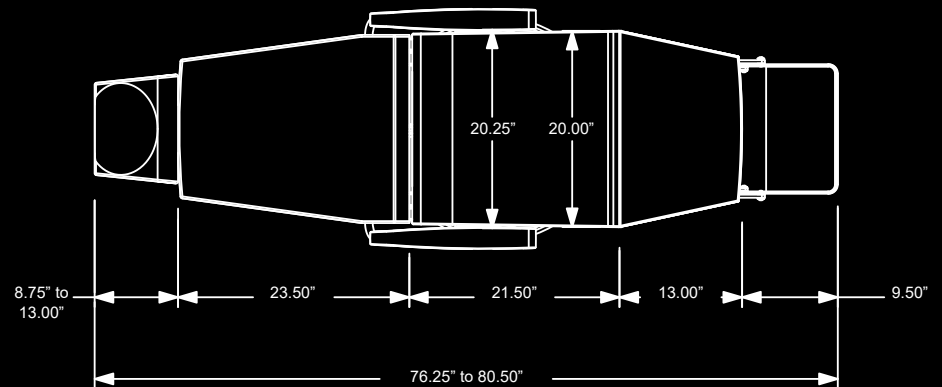
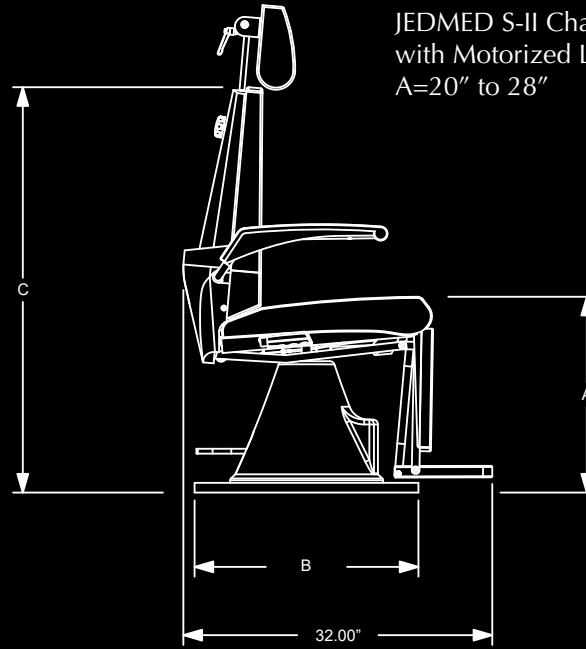
Options & Accessories

- Fully articulating headrest
- 115V or 220V (electric base only)
- 20" gooseneck chair light
- Child booster seat
- 12 designer colors
- Quick-Change headrests



JEDMED S-II Chair
with Manual Pump Base
A=19.5" to 27" B=26.75" C=41.25"

JEDMED S-II Chair
with Motorized Lift Base, 110V / 220V
A=20" to 28" B=23.00" C=41.50"



J-II Patient Exam Chair



Perfect for Any Exam

The backrest and armrests of the J-II chair move together for ultimate patient support. In the event of a faint patient, the chair can be reclined from either side more quickly than a motorized chair. The stationary footrest ring provides a stable base for the patient's feet. The J-II Chair backrest and armrests recline perfectly flat. The adjustable headrest is completely removable and the armrests can be lifted out of the way in the seated position. The J-II chair is available with either a manual pump base or a motorized lift base, both allowing 360° rotation with lock.



Show on manual pump base

J-II Features



Independently operated armrests can be lifted out of the way, allowing the patient to enter and exit the chair comfortably.



The J-II is available in either a manual pump base or a motorized lift base, both allowing for 360° rotation with lock.



The stationary footrest ring provides a stable base for the patient's feet. The footrest ring remains in place when the chair is reclined, allowing for optimum patient stability.



A conveniently located handle on each side of the chair allows the user to easily maneuver the chair into any desired position by simply depressing it.



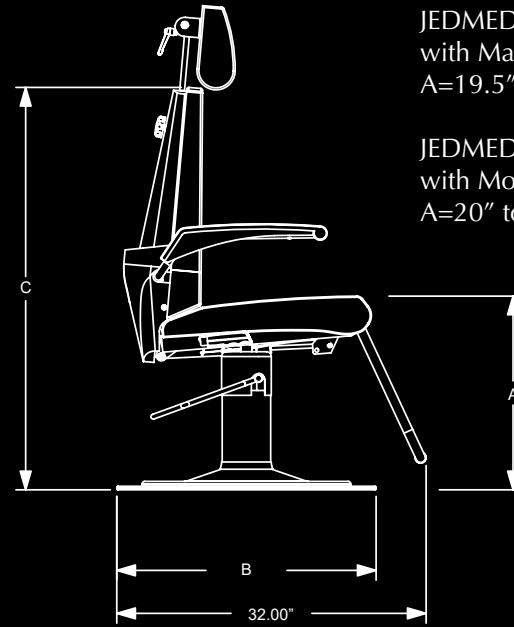
The J-II upholstery is protected by PreFixx® which allows it to be safely and easily cleaned and disinfected without discoloration or damage to the upholstery.



Multiple headrest options are available from basic fixed headrests to fully articulating, or a quick-change option that allows for a multitude of easy-to-swap headrest options.

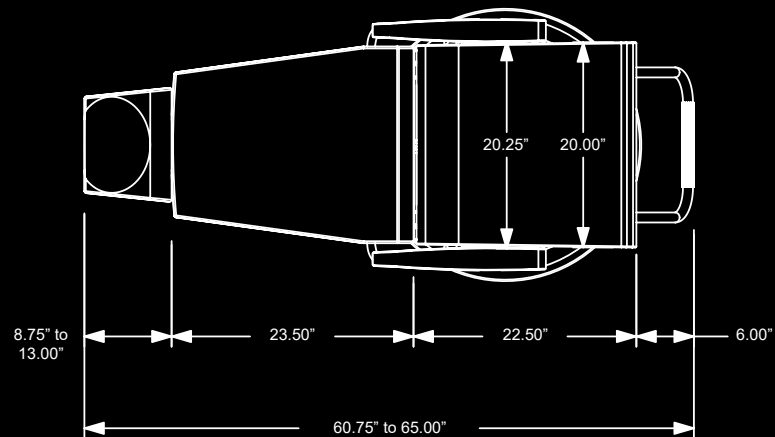
Options & Accessories

- Fully articulating headrest
- 115V or 220V (electric base only)
- 20" gooseneck chair light
- Child booster seat
- 12 designer colors
- Quick-Change headrests



JEDMED J-II Chair
with Manual Pump Base
A=19.5" to 27" B=26.75" C=41.25"

JEDMED J-II Chair
with Motorized Lift Base, 110V / 220V
A=20" to 28" B=23.00" C=41.50"



OS1 Mobile Operating Chair



Mobility and Flexibility in Outpatient Surgery

This OS1 chair meets the patient positioning and mobilization challenges posed by the growing number of outpatient surgery centers. It is ideal for surgical preparation, transporting patients to and from the operating room, positioning after surgery, and deployment in the recovery room after anesthesia.

Ergonomics, functionality, mobility and patient comfort form a unique combination of chair and operating bed. Complete ease of access and simple disinfection ensure maximum hygiene. The OS1 can also be installed in small spaces where conventional beds will not fit.



OS1 Features



Fixed and retractable armrests for simple repositioning before and after surgery



Comfortable, 24" wide seating for pre- and post-operative waiting and recovery



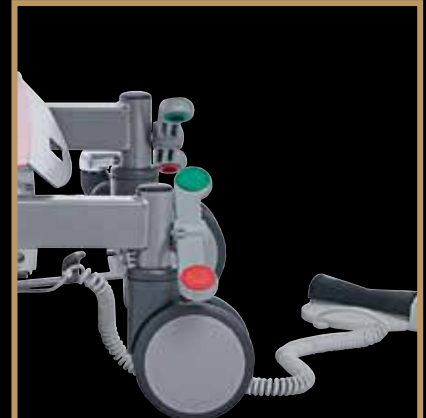
High weight capacity up to 500lbs. Safe handling during patient transport and for lateral repositioning



With the tap of a foot release, located on each side of the OS1, the chair smoothly reclines into the Trendelenburg position.



In a seated position with the footrest retracted, the OS1 has a minimal footprint

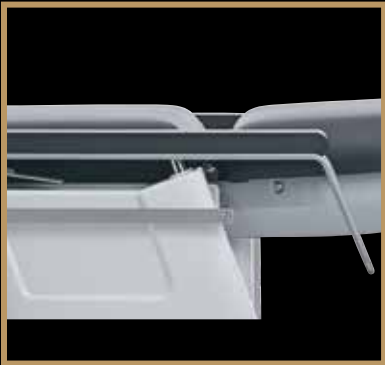


5" casters provide comfortable and effortless mobility with one pedal for central braking system

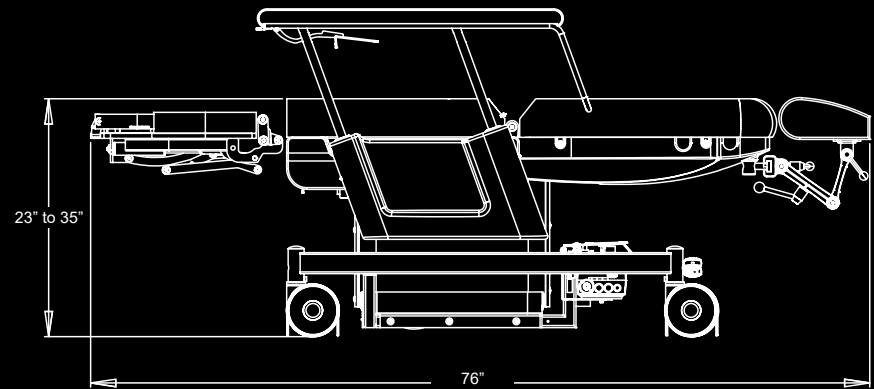
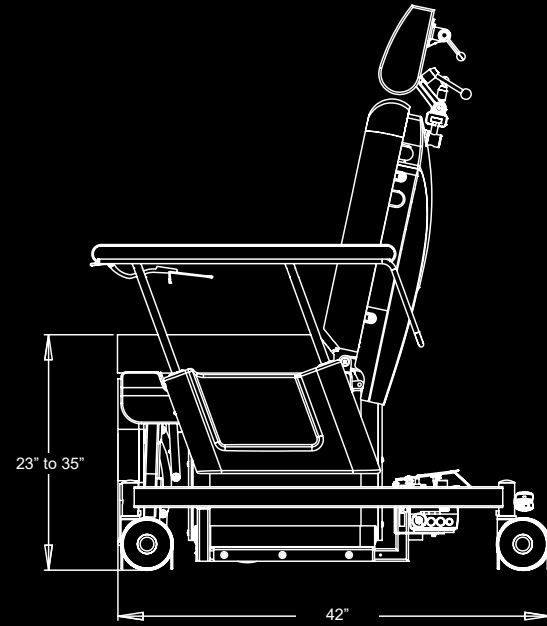
Features & Specifications



Several Headrest Options



Standard mounting bars for clinical accessories and infusion bar included



**OS1 Chair and headrests available in black only*

“Quick-Change” Headrest Coupling - Available Option on ALL Chairs



“Quick-Change” headrest coupling option allows you to effortlessly change the headrest depending on your procedural needs.



“Quick-Change” headrest coupling is standard on the OS1 Chair

Quick Change Headrest Options - Available on ALL Chairs



Standard Headrest



Comfort Headrest



Stretch / Pillow Headrest



Full Rubberized Concave
Headrest
*available in black only



Half Rubberized Spherical
Headrest
*available in black only

Custom Stools



Air Lift



Air Lift With Backrest

For Every Examination

The Custom Stool series is designed for comfort and stability, with a pneumatic lift which is adjustable via finger touch lever. The stool seat has a 16" diameter, with 4" of multi-layered, different density foam. A small footprint makes the custom stool the perfect stool for every examination.



Each custom stool is built with 4" of high density foam for a comfortable seat during exams.



The five-leg base with twin wheel casters provides a stable, smooth rolling platform.



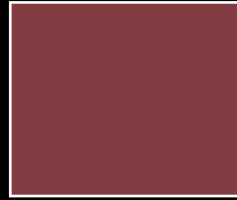
The heavy duty lift base can be adjusted for a minimum height of 20" up to a maximum height of 28".



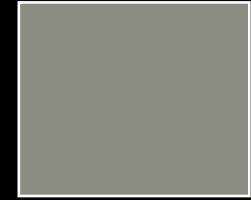
Available Color Options



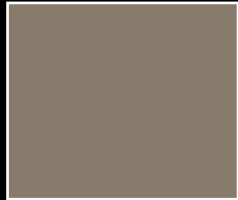
Licorice (VIS-48)



Pomegranate (VIS-33)



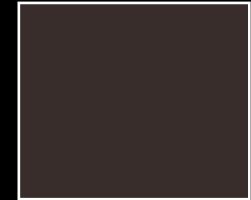
Shale (VIS-15)



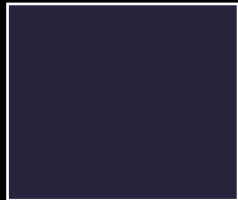
Portobello (VIS-10)



Aloe (VIS-37)



Grounded (VIS-45)



Huron (VIS-47)



Seville (VIS-01)



Buttercup (VIS-07)



Doe (VIS-09)



Sprite (VIS-42)



Keystone (VIS-08)

JEDMED Upholstery is treated with PreFixx® Protective Finish. PreFixx® protected upholstery can be easily cleaned and disinfected and has been shown to have excellent chemical resistance.

For more information on this or our other products, please contact JEDMED at: (314) 845-3770 • Fax (314) 845-3771 • info@jedmed.com • www.jedmed.com

Specifications and colors are subject to change without notice. *OS1 Chair and headrests available in black only



JEDMED

5416 JEDMED Court • St. Louis, MO 63129-2221
(314) 845-3770 • Fax (314) 845-3771
www.jedmed.com • info@jedmed.com