

# PHOENIX CHAIR

*Series IV*

---



**JEDMED**

# Phoenix IV Patient Exam Chair

**Full Power**

**3 Programmable Settings**

**Powerful Lifting Capability**

**Comfortable & Stylish**

**Fully Mobile**

The Phoenix IV Full Power Exam Chair was specifically designed with the Head & Neck specialist in mind. The chair utilizes industrial strength motors, solid steel construction, and modern engineering to meet the demands of your busy practice. The chair is designed to be comfortable for the patient yet functional for the physician. From its conveniently located low voltage membrane switches, its powerful lift capabilities, and full mobility, the Phoenix IV Chair is designed to meet your specific needs. The Phoenix IV Chair, designed in the USA, will provide you many years of trouble free service.



## Modern Engineering.....Easy to Operate.....Built to Last

The new and improved Phoenix IV has the form and function tailored to your demands and patient comfort. Stability and reliability are achieved through solid steel construction and proven engineering. The industrial strength motors ensure top notch performance under the most challenging situations.



Shown with optional footswitch



An electro-mechanical drive system controls all functions of the chair with the push of a button. This chair uses state-of-the-art electronics, reliable low voltage DC motors, and all-steel construction. Permanent lubricated ball bearings allow for smooth 360° rotation with convenient lock releases located on both sides of the chair.



All chair functions are controlled by low voltage membrane switches. Chair functions include: vertical height adjustment, recline, 3 programmable positions, and an auto-return feature. The membrane switches are conveniently located on both sides of the chair back.



A conveniently located brake lever located on both sides of the chair provide lock rotation stability when needed.



## Flexibility.....Comfort.....Stability

The Phoenix IV Exam Chair was designed with the physician and patient's needs in mind. From our multiple headrest options to its 3 programmable settings, the Phoenix IV Chair will meet your demands for functionality and access while meeting the patient's demands for comfort and security.



The optional fully articulating headrest gives you more flexibility for procedures that require the head be in a specific position. Once the headrest is in the desired position it can be securely locked, keeping the patient's head in a stable position during a procedure.



The Phoenix IV Chair armrests will swing out of the way allowing easy entry and exit for the patient. This feature is also useful in procedures that require the physician to be very close to the patient.



The footrest provides comfort and support for the patient's feet during an examination or procedure. When the chair is fully reclined the footrest is synchronized to keep the patient stable, secure, and comfortable. It can also be flipped up and out of the way for easier physician / patient access.

## Minor Procedure Capabilities

The Phoenix IV Chair fully reclines to a flat position for minor procedure applications. Specially designed anatomical backrest provides support for the patient's arms comfortably at their sides. An ergonomically designed lumbar support adds to the patient's comfort while keeping the head properly positioned for easy access.



## Full Mobility Standard

Mobility..... The Phoenix IV Chair is designed to be fully mobile by simply depressing the foot release located on the left side of the base. The chair can easily be moved for cleaning, procedure room relocation, or for easier access to equipment.



*\*Not designed for patient transport*

## “Quick-Change” Headrest Coupling



“Quick-Change” headrest coupling option allows you to effortlessly change the headrest depending on your procedural needs.

## “Quick-Change” Headrest Options



Standard Headrest



Comfort Headrest



Stretch / Pillow Headrest

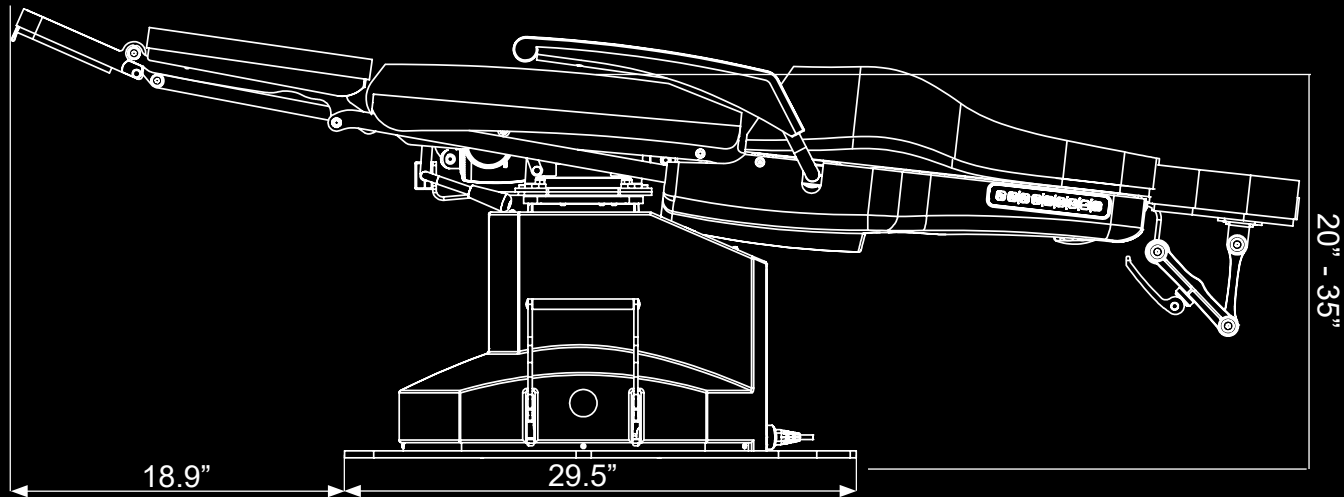
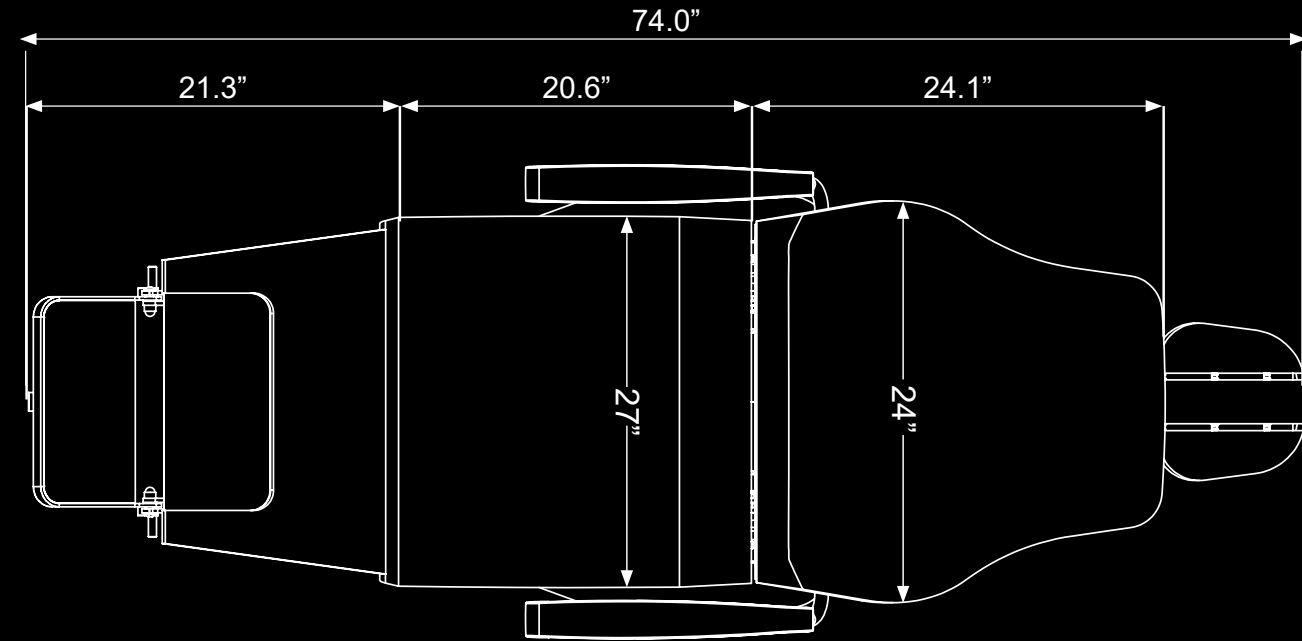


Full Rubberized Concave Headrest  
\*available in black only



Half Rubberized Spherical Headrest  
\*available in black only

## Specifications



## Colors.....Options.....Accessories



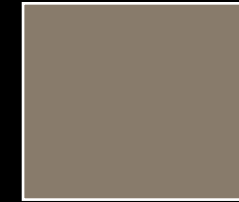
Licorice (VIS-48)



Pomegranate (VIS-33)



Shale (VIS-15)



Portobello (VIS-10)



Aloe (VIS-37)



Grounded (VIS-45)



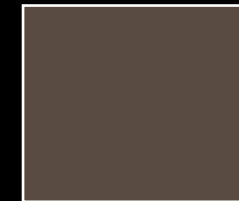
Huron (VIS-47)



Seville (VIS-01)



Buttercup (VIS-07)



Doe (VIS-09)



Sprite (VIS-42)



Keystone (VIS-08)

### Options

- Fully Articulating Headrest
- "Quick Change" Headrest Mount
- Multiple Headrest Pads
- 115V 60Hz (USA) or 230V 50Hz
- Upgrade to Memory Foam and Ultra Leather Upholstery  
*(contact JEDMED for Ultra Leather Upholstery chart)*

### Accessories

- Gooseneck Chair Light
- Pediatric Booster
- Foot Control

For more information on this or our other products, please contact JEDMED at:

(314) 845-3770 • Fax (314) 845-3771  
info@jedmed.com • www.jedmed.com

*The Phoenix IV Upholstery is treated with Prefixx® Protective Finish. Prefixx® protected upholstery can be easily cleaned and disinfected and has been shown to have excellent chemical resistance.*

*Specifications and colors are subject to change without notice.*





**JEDMED**

5416 JEDMED Court • St. Louis, MO 63129-2221  
(314) 845-3770 • Fax (314) 845-3771  
[www.jedmed.com](http://www.jedmed.com) • [info@jedmed.com](mailto:info@jedmed.com)