

V-SERIES MICROSCOPES

The V-Series has been developed using unsurpassed German engineering and craftsmanship, incorporated into a fundamental, reliable, and very durable design. This combination will provide the needed magnification, illumination and flexibility without adding unnecessary and potentially volatile options. Considering basic needs, other microscopes often utilize a design which incorporates nonessential bells and whistles that typically lead to increased costs and lost time during failure.

JEDMED/Kaps V-Series Microscopes are an affordable way to put a surgical quality microscope in a diagnostic setting. A single port high output LED light source is used in conjunction with the same high quality optics and articulation found on our surgical microscopes. The V-Series scopes are available in mobile floorstand, wall mounted, and ceiling mounted versions.

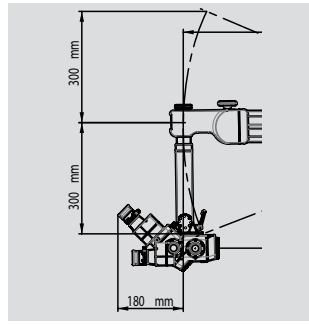


Highlights of the V-Series Microscopes

- Top quality precision German lenses
- V-Series system for unparalleled contrast, clarity, and shadow reduction
- Customized LED high output fiber optic light source
- High resolution reinforced fiber optic cable
- Choice of One, Three, Five or 6:1 stage magnification changer stereo base
- Straight binocular F-125mm with precision pupillary distance fine adjustment
- High eyepoint eyepieces 10.0X with diopter adjustments and locks
- Fine focusing objective lens F=250mm (others available)
- Pistol type adjustable handle for easy movement
- Adjustable spring assisted suspension arm with lock
- 2 year limited warranty



The Kaps Optik Company has been manufacturing these exquisite microscopes for over 70 years in Asslar/Wetzlar, Germany.



Decades of precision craftsmanship have been devoted to the creation and design of our microscopes.



All of the controls and articulation joints incorporate the most sophisticated level of mechanical expertise.



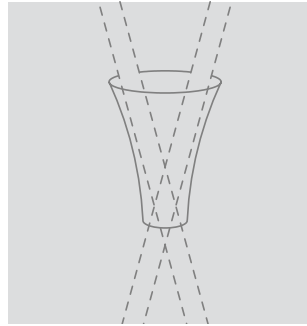
The same first quality optics used in other German microscopes are integrated into the V-Series.



The fiber optic cable is wrapped in a flexible metal sheath and sealed in a silicone cover. High resolution fibers seamlessly transfer light to the field for ultimate brilliance.



The brightness of the LED illuminator is unrivaled. It delivers more light than needed and because it employs the newest in LED technology, there is no bulb to replace.



Twin beams enhance depth of field, reduce shadows, add clarity and increase contrast.



A beam of bright LED light from above and below the operator's line of sight provides even illumination.



Three Stage Magnification with factors of 0.63, 1.0, 1.6



Five Stage Magnification with factors of 0.4, 0.63, 1.0, 1.6, 2.5



6:1 Zoom Magnification with continuous factors of 0.4 through 3.2

Shown with optional inclinable binocular



Options and Accessories:

- Video Cameras
- Beam Splitters
- Monocular Observation
- Sterilizable Covers
- Digital Cameras
- Binocular Observation
- Sterile Drape Adaptor
- Photo Tubes

V-SERIES MICROSCOPES



Floorstand Microscope

Mobile floorstand microscopes are ideal for the practice that has occasional need to move the microscope to an alternative exam room. The stable compact stand is supported by large rubber casters with positive locks. The multi-articulating suspension arm provides a stable delivery of the optical base to the field. Use of this mobile stand system eliminates the cost of wall or ceiling preparation.

71-2603

JEDMED/Kaps 3-Step V-Series Floorstand Microscope

71-2608

JEDMED/Kaps 5-Step V-Series Floorstand Microscope

Wall Mount Microscope

Wall mount applications are ideal for exam rooms with limited space. The microscope typically is mounted on the wall behind the patient chair. A long multi-articulating suspension arm provides stable delivery of the optical base to the field. When not in use, the arm conveniently folds flat against the wall for unobstructed storage.



71-2601

JEDMED/Kaps 3-Step V-Series Wall Mounted Microscope

71-2606

JEDMED/Kaps 5-Step V-Series Wall Mounted Microscope

Ceiling Mount Microscope

Ceiling mount microscopes are an ideal consideration for exam rooms with a full glass exterior wall. It does not limit the view of the outside landscape or require any wall space. The multi-articulating suspension arm adjusts into seemingly limitless positions conveniently delivering the optical base where needed.

71-2602

JEDMED/Kaps 3-Step V-Series Ceiling Mount Microscope

71-2607

JEDMED/Kaps 5-Step V-Series Ceiling Mount Microscope

