

Exam Chairs & Stools



JEDMED

S-II Patient Exam Chair



Synchronized Comfort

The backrest, armrests, and the footrest of the S-II chair are synchronized to give more comfortable support to the patient as the chair is manually reclined. In the event of a faint patient, this action may be performed more quickly than a motorized chair. The S-II chair reclines into a perfectly flat table. The adjustable headrest is completely removable and the armrests can be lifted out of the way in the seated position. The S-II chair is available in either a manual pump base or a motorized lift base, both allowing 360° rotation with lock.



Features



Independently operated armrests can be lifted out of the way, allowing the patient to enter and exit the chair comfortably. This feature is also useful in procedures that require the physician to be very close to the patient.



The S-II chair is available in either a manual pump base or a motorized lift base, both allowing for 360° rotation with lock. The manual base lifts from 19.5" to 27" while the motorized base lifts from 20" to 28".



The footrest provides comfort and support for the patient's feet during an examination or procedure.

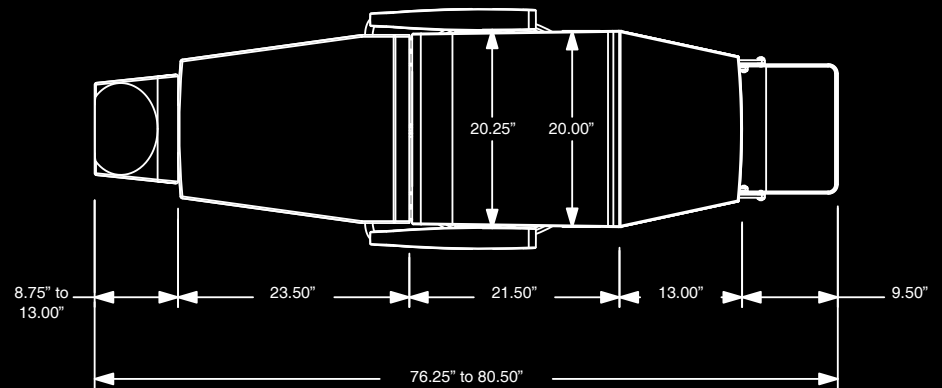
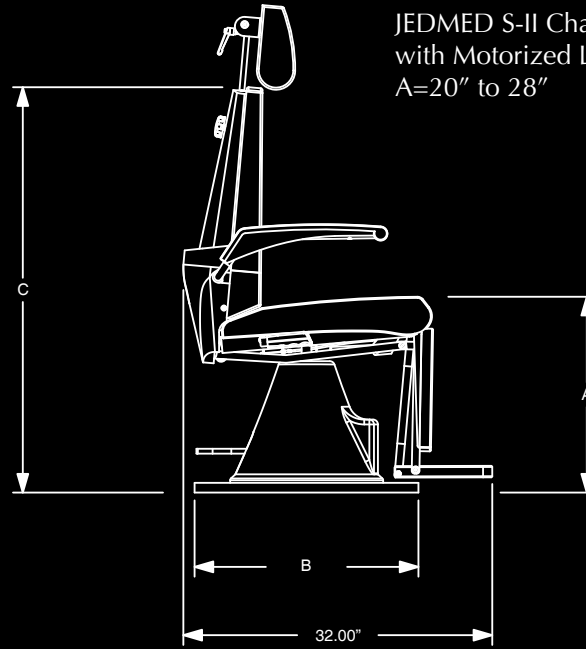
Options & Accessories

- Fully articulating headrest
- 115V or 220V (electric base only)
- 20" gooseneck chair light
- Child booster seat
- 12 Designer Colors



JEDMED S-II Chair
with Manual Pump Base
A=19.5" to 27" B=26.75" C=41.25"

JEDMED S-II Chair
with Motorized Lift Base, 110V / 220V
A=20" to 28" B=23.00" C=41.50"



J-II Patient Exam Chair



Perfect for Any Exam

The backrest and armrests of the J-II chair move together for ultimate patient support. In the event of a faint patient, the chair can be reclined from either side more quickly than a motorized chair. The stationary footrest ring provides a stable base for the patient's feet. The J-II Chair backrest and armrests recline perfectly flat. The adjustable headrest is completely removable and the armrests can be lifted out of the way in the seated position. The J-II chair is available with either a manual pump base or a motorized lift base, both allowing 360° rotation with lock.



Features



Independently operated armrests can be lifted out of the way, allowing the patient to enter and exit the chair comfortably. This feature is also useful in procedures that require the physician to be very close to the patient.



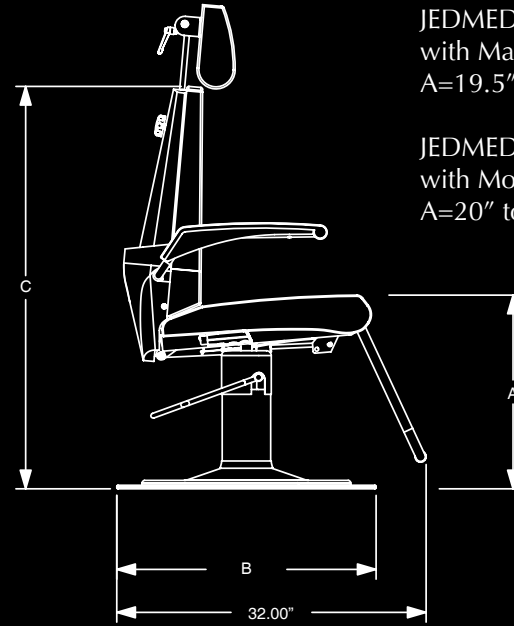
The J-II chair is available in either a manual pump base or a motorized lift base, both allowing for 360° rotation with lock. The manual base lifts from 19.5" to 27" while the motorized base lifts from 20" to 28".



The stationary footrest ring provides a stable base for the patient's feet. The footrest ring remains in place when the chair is reclined, allowing for optimum patient stability.

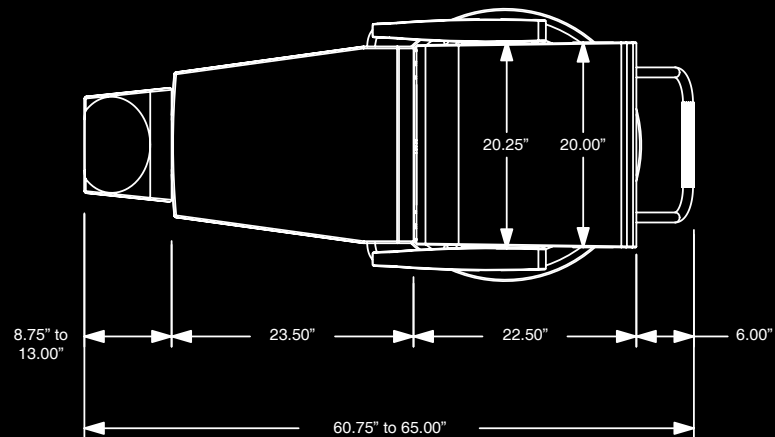
Options & Accessories

- Fully articulating headrest
- 115V or 220V (electric base only)
- 20" gooseneck chair light
- Child booster seat
- 12 Designer Colors



JEDMED J-II Chair
with Manual Pump Base
A=19.5" to 27" B=26.75" C=41.25"

JEDMED J-II Chair
with Motorized Lift Base, 110V / 220V
A=20" to 28" B=23.00" C=41.50"



L Patient Exam Chair



The Straight Back Advantage

The L chair is available with either a manual pump base or a motorized lift base, both allowing 360° rotation with the lock. This fixed back chair provides the patient the comfort and support needed for most basic examinations. With the optional headrest and footrest, the patient is provided with head support and a stable base for their feet. A 7° reclined backrest is also available for cerumen management procedures, otoscopy, and ear molds.



The straight back allows the patient to sit forward, presenting the head and neck for ease of examination. The L Chair is compact, allowing easy access for the physician to the patient. This straight back chair is ideal for stroboscopic examinations.

Optional headrest shown

The L Chair is available with either a manual pump base or a motorized lift base, both allowing 360° rotation with lock.

Stationary armrests provide the ultimate in comfort and stability for the patient during every exam. An optional headrest and footrest can be added to provide head support and a stable base for the feet.

Micro Stool



Perfect for Any Exam

The Micro Stool series is anatomically designed to give you hours of comfort when performing delicate procedures. Specially designed for microscopy, the optional, fully adjustable armrests swing into position to give you a stable reference base for precise hand movements. The pneumatic lift produces the proper height for your comfort and posture. These features make the JEDMED Micro Stool an indispensable component of your operator.



Fully adjustable armrests swing into position to give you a stable reference base for precise hand movement.



The seat and backrest articulate independently to get you into a comfortable ergonomic position while performing long, delicate procedures. The waterfall seat design relieves pressure on your femoral arteries and the lumbar support aids in correct posture.



Stainless steel throughout the base provides a level of quality that is unmatched by other stools. The micro stool is backed by a limited lifetime warranty.

Surgical Stool



Designed for Surgical Applications

The Surgical Stool series is anatomically designed with a choice of waterfall or saddle seat to give you hours of comfort when performing delicate procedures. Specially designed for surgical applications, the optional, fully adjustable armrests swing into position to give you a stable reference base for precise hand movements. These stools are completely adjustable in seat tilt and backrest position to create the custom position for your posture. Height adjustment is made easy via a foot lever and can be made while the surgeon is seated, hands free. These features make the JEDMED Surgical Stool an indispensable component of your operating room.



Specifically designed for surgical applications, the height adjustment foot lever can be operated hands free during a procedure. This foot lever also allows the rotation of the seat to be locked in place.

A sturdy five-star base provides stability during delicate procedures. The two locking casters prevent movement due to shifting ones weight while seated.

Stainless steel throughout the base provides a level of quality that is unmatched by other stools. The micro stool is backed by a limited lifetime warranty.

Custom Stools



Spin Lift



Air Lift



Air Lift With Backrest

For Every Examination

The Custom Stool series is designed for comfort and stability, with a choice of spin lift or pneumatic lift which is adjustable via touch finger lever. The stool seat has a 16" diameter, with 3-1/2" of multi-layered, different density foam. A small footprint makes the custom stool the perfect stool for every examination.



Each custom stool is built with 3-1/2" of high density foam for a comfortable seat during exams.

The five-leg base with twin wheel casters provides a stable, smooth rolling platform.

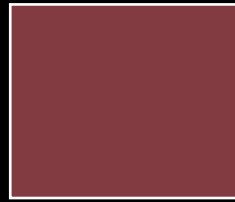
The heavy duty lift base can be adjusted for a minimum height of 20" up to a maximum height of 28".



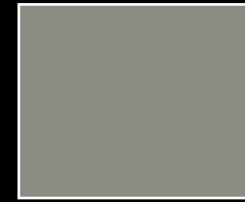
Colors.....Options.....Accessories



Licorice (VIS-48)



Pomegranate (VIS-33)



Shale (VIS-15)



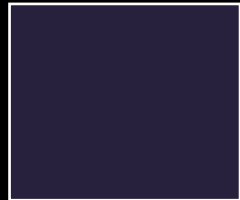
Portobello (VIS-10)



Aloe (VIS-37)



Grounded (VIS-45)



Huron (VIS-47)



Seville (VIS-01)



Buttercup (VIS-07)



Doe (VIS-09)



Sprite (VIS-42)



Keystone (VIS-08)

JEDMED Upholstery is treated with PreFixx® Protective Finish. PreFixx® protected upholstery can be easily cleaned and disinfected and has been shown to have excellent chemical resistance.

For more information on this or our other products, please contact JEDMED at: (314) 845-3770 • Fax (314) 845-3771 • info@jedmed.com • www.jedmed.com

Specifications and colors are subject to change without notice.



JEDMED

5416 JEDMED Court • St. Louis, MO 63129-2221
(314) 845-3770 • Fax (314) 845-3771
www.jedmed.com • info@jedmed.com