

Maxi V-2 Fin Upgrade Kit

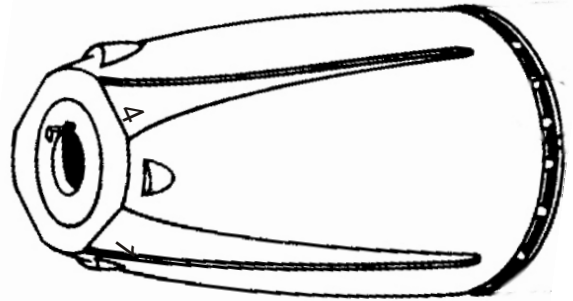
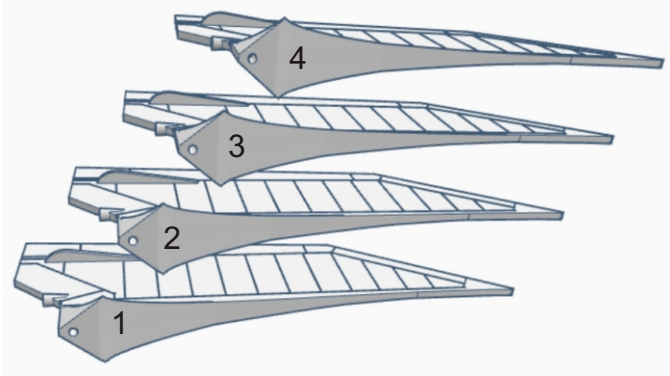
Thank you for purchasing a Boyce Aerospace Hobbies Maxi V-2 Fin Upgrade Kit. Please read these directions fully before you begin.

1

Using 400 grit wet/dry sandpaper carefully wet sand the surfaces and edges of your fins. Do not over sand the fins or you will start to lose the panel line details.

2

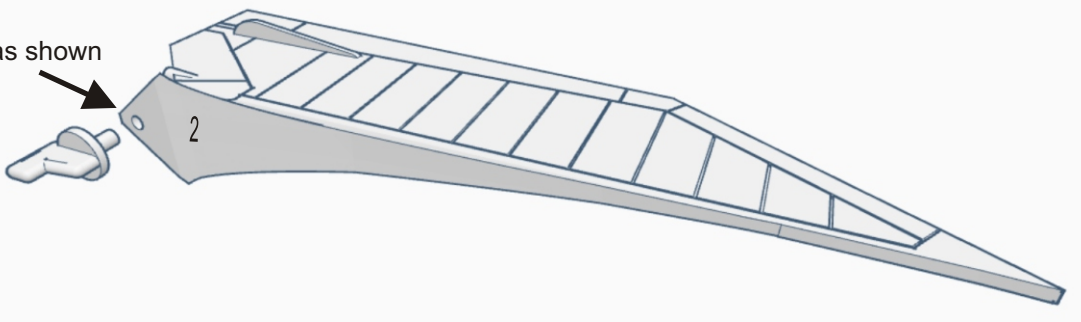
Using a sharpie number each fin on the underside of the root edge 1 to 4. Since there are small variations in each fin attachment point dry fit each fin to the boat tail to find the best fit. Number each slot to the corresponding fin that fits best.



3

Use 240 grit sandpaper to sand any high spots on the root edge of the fins until you get a nice even contact surface between the fin and boat tail. Again using 220 grit sandpaper rough up the area where each fin will glue on. Using a high quality plastic glue, attach a steering vane to each fin.

Glue into hole as shown



4

Glue each fin into its corresponding position and hold in place until dry. When all fins have dried (24 hrs) insert the largest motor you plan to fly then add nose weight to the inside tip of the nose cone until the center of gravity matches the image below. Use an altitude prediction program to determine the delay to use with each motor you intend to fly after weighing the completed rocket.

