

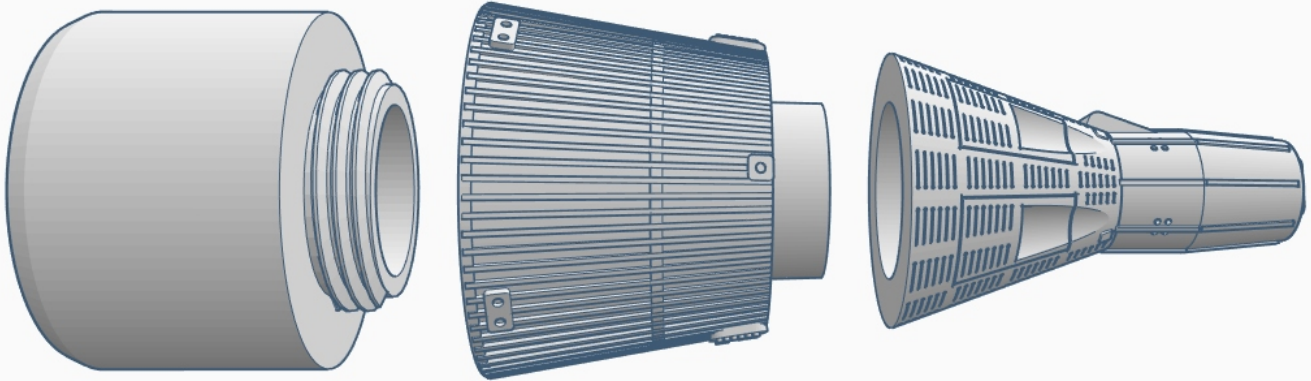
1/30th (3.90) Scale Gemini Capsule Kit

Thank you for purchasing a Boyce Aerospace Hobbies 3.90 Gemini Capsule kit. Please review the drawings below before gluing and assembling your kit

Start by sanding all parts with 220/400 grit sand paper either wet or dry (your preference). Test fit parts (before gluing) until you have a nice slide fit between all mating parts. Prior to assembly, wet sand the model's parts until smooth then spray one coat of grey automotive primer on the capsule and capsule adapter (do not paint the screw on shoulder). After the parts are dry repeat the wet sanding and primer steps until you have nice paintable surfaces. The primer will fill all the layer lines created by the 3D printing process. Paint the capsule flat black and spray the capsule adapter semi-gloss white. When dry detail the model using modeling resources on the net (see backside of these instructions).

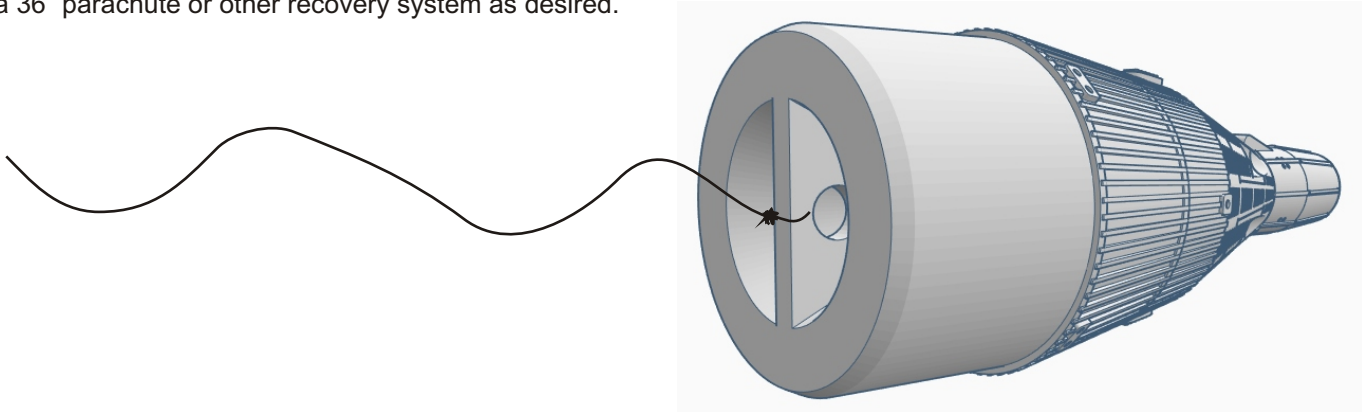
1

Carefully glue the painted capsule to the adapter section aligning them as shown. Sand the tube coupler/shoulder until the shoulder is a nice slide fit in your 3.90 body tube. Determine the amount of nose weight you need to add to the capsule to insure a stable flight. Add nose weight using epoxy and small lead fishing weights into the space provided in the screw on shoulder. When the nose weight epoxy is dry screw and glue the tube shoulder to the capsule sections using either super glue or plastic epoxy.



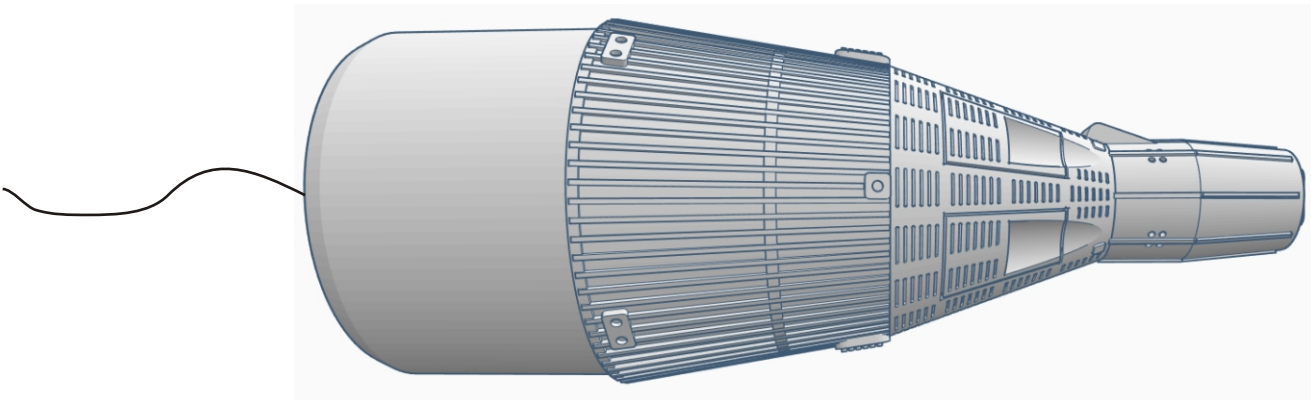
2

Tie a large two foot piece of 150 lb test Kevlar cord to the base of the capsule coupler/shoulder. Add a short length of shock cord and a 36" parachute or other recovery system as desired.



3

Your Gemini capsule is now ready to detail.



1/30th (3.90) Scale Gemini Capsule Kit

