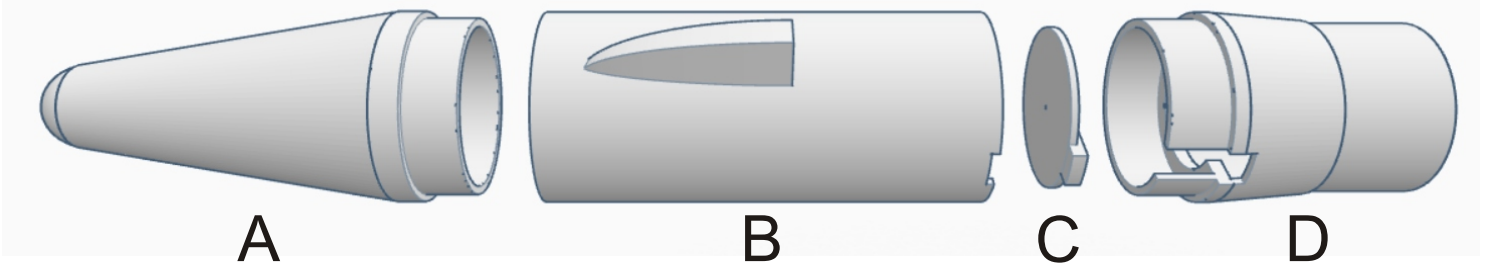


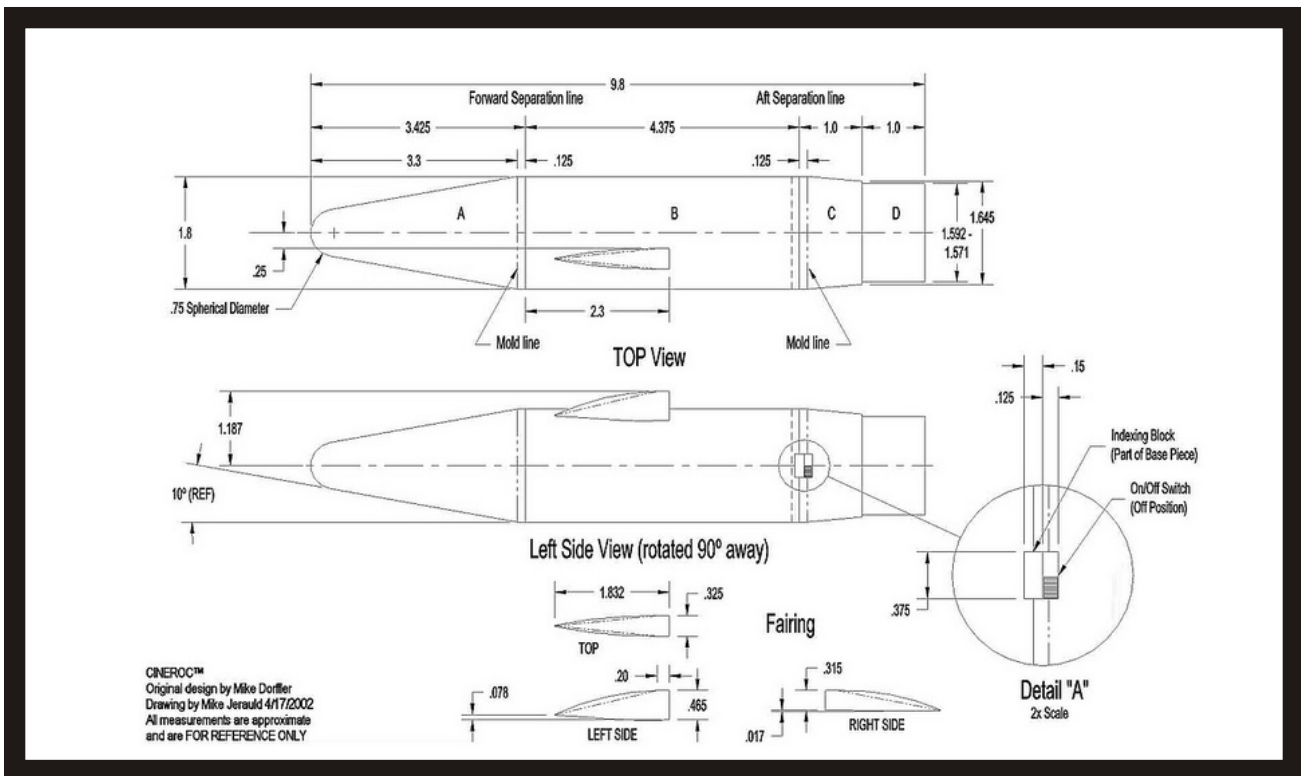
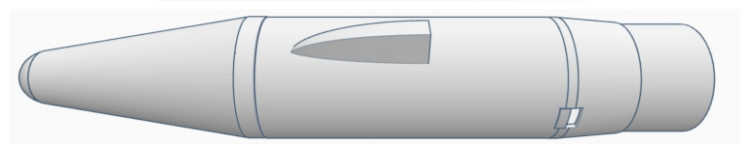
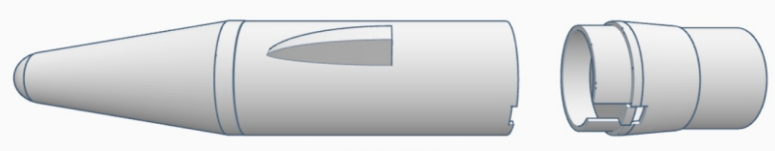
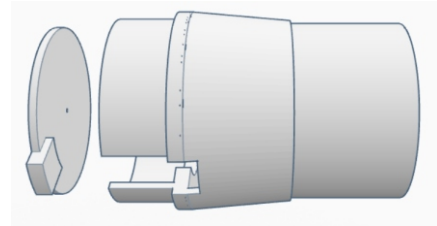
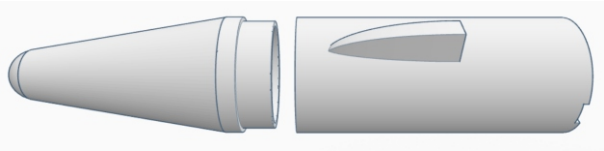
# Estes Cineroc Nose Cone Clone Kit 1/1 Scale

Thank you for purchasing a Boyce Aerospace Hobbies Estes Cineroc Clone kit. Please read these directions fully before you begin. All parts will be referred to in these instructions as labeled in the drawing: A-Nose Cone, B-Payload Tube, C-Payload Bulkhead, and D-Lower Transition.



Carefully sand the nose cone shoulder, the insides of the Payload Tube (top and bottom), and the upper shoulder of the Lower Transition until they are a nice slip fit into each other. Determine at this point if you will be assembling the parts by friction fit (leave the parts a tight fit), gluing, or screwing. Before assembly drill a small hole in the center of the base of the lower transition and screw then super glue in a metal eyelet for your recovery system. If you want to access the payload bay we recommend drilling two small countersunk holes through the Payload Tube and the mating shoulders of the Nose Cone and Lower Transition so you can hold the parts together with tiny screws.

Sand the Cineroc Nose Cone with 400 grit wet/dry sandpaper. Dry sand at first then follow with wet sanding until all surfaces are smooth to the touch. Give the cone a nice coat of gray automotive primer and allow to dry. Repeat the sanding steps again then give the model a final coat of grey primer. After this coat is dry follow this up with wet sanding only and you should have a nice finished surface that is read for painting. Paint the cone as shown in the original Estes advertisement on the back side of these instructions..



# CINEROC

## Model Rocket Movie Camera.....



### CAMERA SPECIFICATIONS

Fully loaded the Cineroc Super-8mm aerial movie camera weighs only 3 ounces.

10mm focal length lens  
f/11 - 1/500 sec. shutter,  
31 frames per second, 6"  
to infinity depth of field.  
Takes color film.

Diameter 1.75"  
Length 9.9"  
Fits BT-60 Body Tube

Completely assembled  
with Flight-Pak loaded  
with color film, 2 batteries,  
and 18" parachute.

Ship. wt. 1.5 lbs.

Cat. No. CM-8 (less

launch vehicle) . . . . . \$23.95

### COMBINATION OFFER

The recommended launch vehicle for the CINEROC is the Astron Omega, a "D" engine bird specially designed to loft the CINEROC. Now order the CINEROC and Omega together.

Shipping weight 2 lbs., 4 oz.

Cat. No. RC-8 . . . . . \$25.50

