



**2019+ Hyundai Veloster N BIG MOUTH  
LIT KIT Ram Air Intake Installation Guide**

## Kit Contents (Full Kit)

Please review this document before attempting installation.

You will need basic hand tools and 2 hours of installation time.

This product reuses some OEM hardware.

Kit Contents	Qty
Micro2 Fuse Tap	1
Micro2 Fuse	1
Butt Connector (16 AWG)	3
1/4" Ring Terminal (16 AWG)	1
8" Zip Ties	7
Diode Dynamics RGBW Controller	1
Power Wire (16 AWG)	1
Ground Wire (16 AWG)	1
Assembled LIT KIT BIG MOUTH	1
M6 x 12mm Cap Screw	1



## Kit Contents (LIT Flare Only)

Please review the table below and make sure you have received the kit contents.

Kit Contents	Qty
Micro2 Fuse Tap	1
Micro2 Fuse	1
Butt Connector (16 AWG)	3
1/4" Ring Terminal (16 AWG)	1
8" Zip Ties	7
Diode Dynamics RGBW Controller	1
Power Wire (16 AWG)	1
Ground Wire (16 AWG)	1
Cable Clips	1
Assembled Flare	1
M6 x 12mm Cap Screw	1



**If you already own the Velossa Tech GEN 4 Veloster N BIG MOUTH, skip to slide 7 to see install and wiring instructions.**

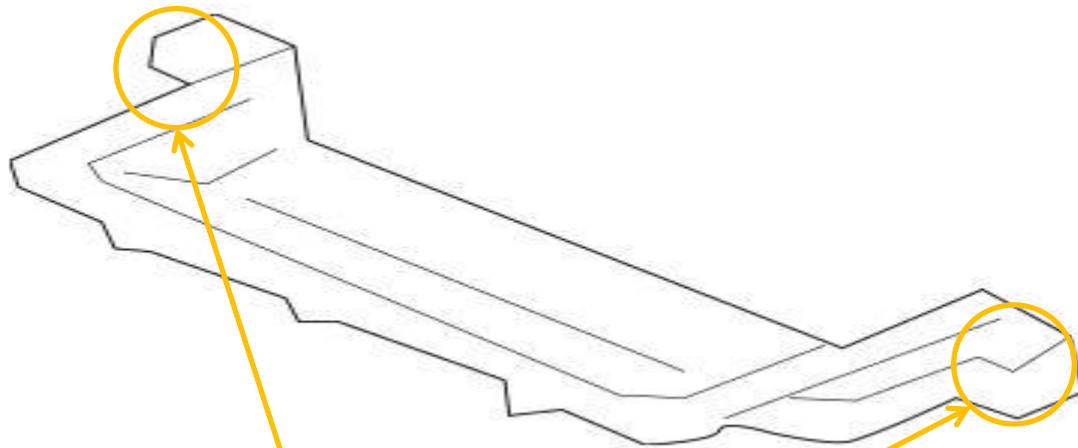


## **Stock Components Removal**

**REMOVE BUMPER PRIOR TO ATTEMPTING INSTALLATION.  
Use YouTube as a resource, there are many bumper  
removal videos to guide you.**

## Stock Components Removal

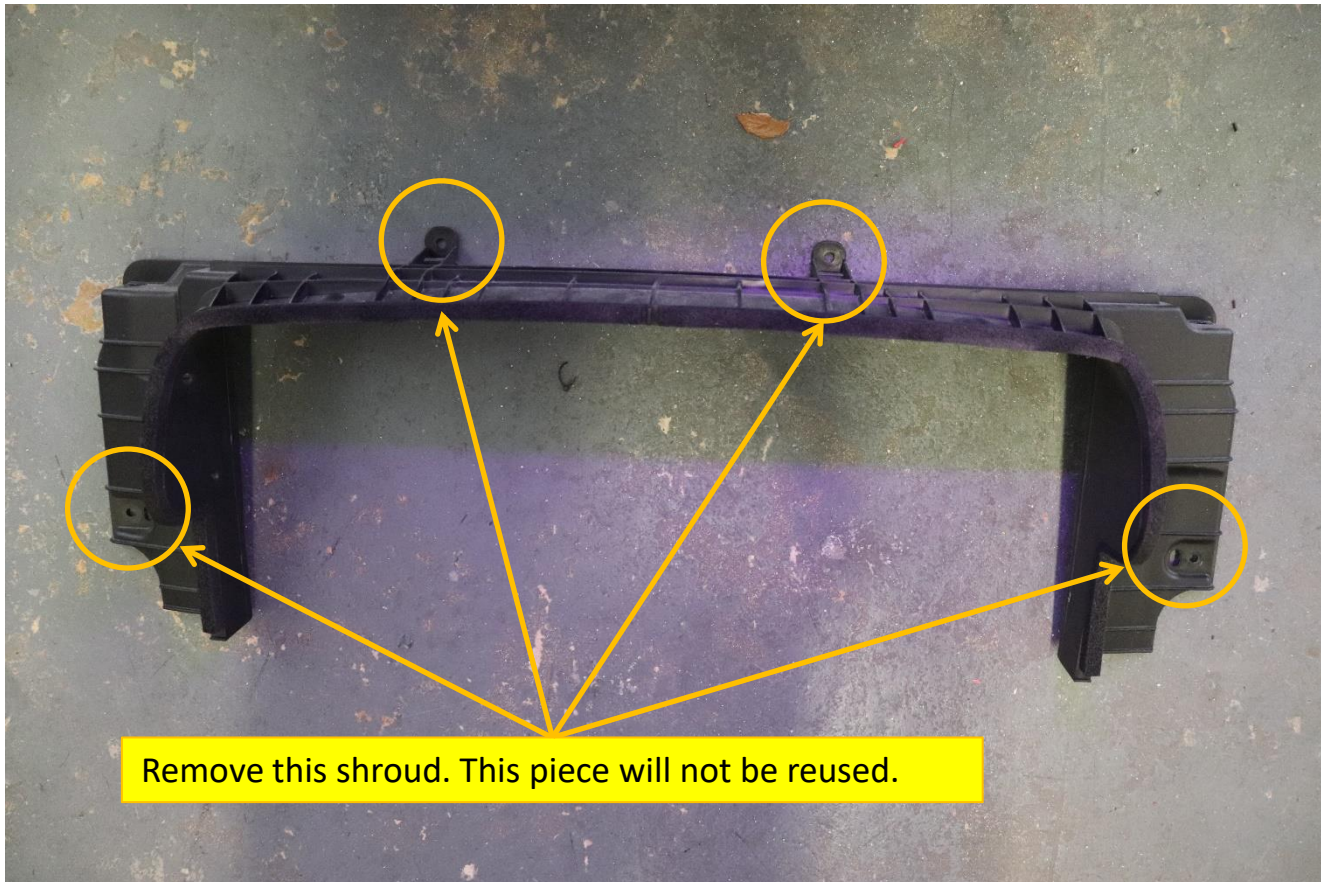
Once the bumper is removed, you will need to remove the one OEM component shown below.



Remove the OEM air shield component by removing the 10mm bolts. This piece will not be reused.

## Stock Components Removal

Once the bumper is removed, you will need to remove the one OEM component shown below.



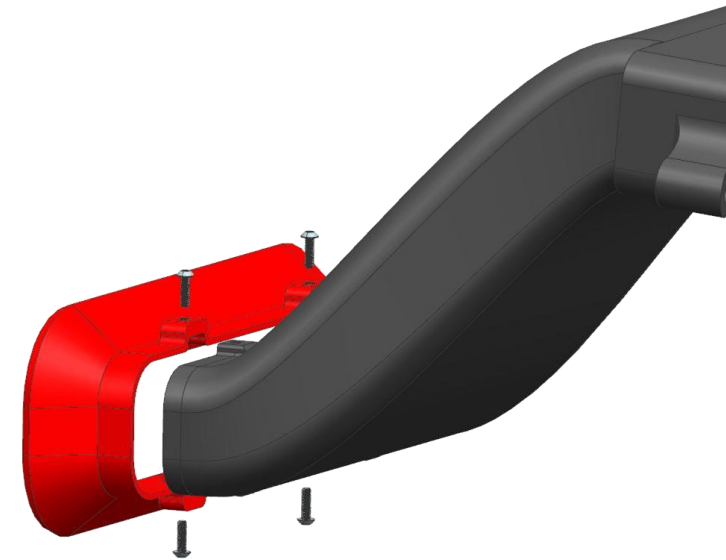
## Install the LIT BIG MOUTH Flare

**SKIP THIS SLIDE IF YOU PURCHASED A FULL LIT KIT**

Attach the supplied cable clip to your BIG MOUTH as shown. Fasten the cable and provide enough slack to not strain the cable.



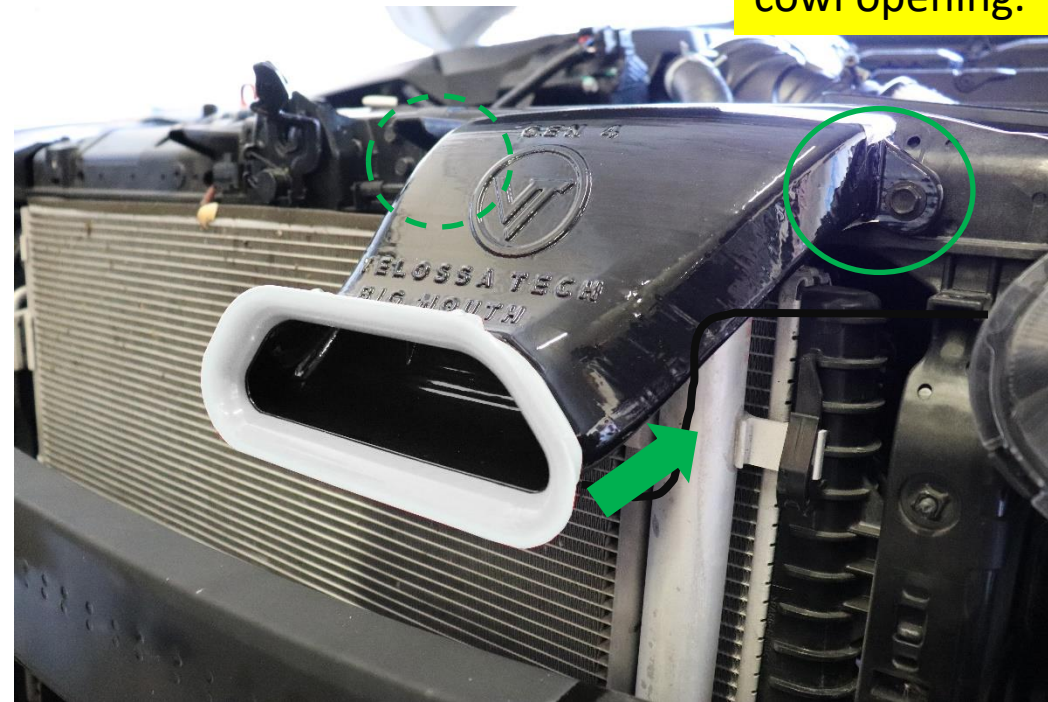
**Attach the cable clip here**



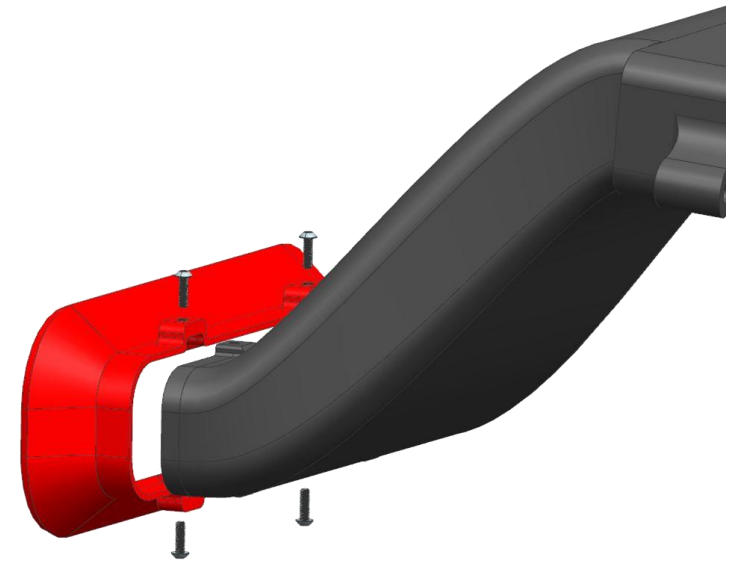
**If you purchased a LIT flare-only and already have a Gen 4 BIG MOUTH. Remove old flare and install the LIT flare with the 4 screws as shown.**

## Install the LIT BIG MOUTH Flare

Re-use the stock hardware to fasten the BIG MOUTH to the cowl opening.



Snake the LED cable in this direction once the BIG MOUTH is installed.



If you purchased a LIT flare-only and already have a Gen 4 BIG MOUTH. Remove old flare and install the LIT flare with the 4 screws as shown.



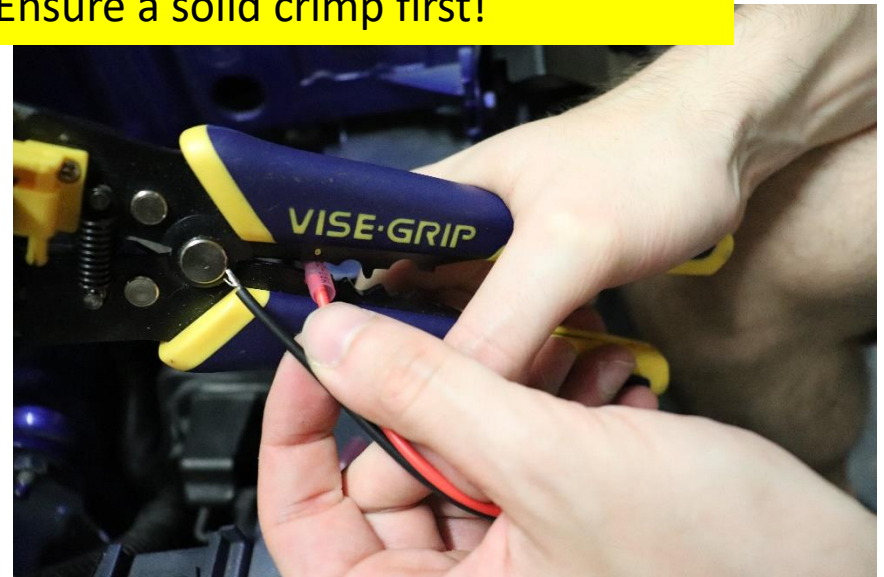
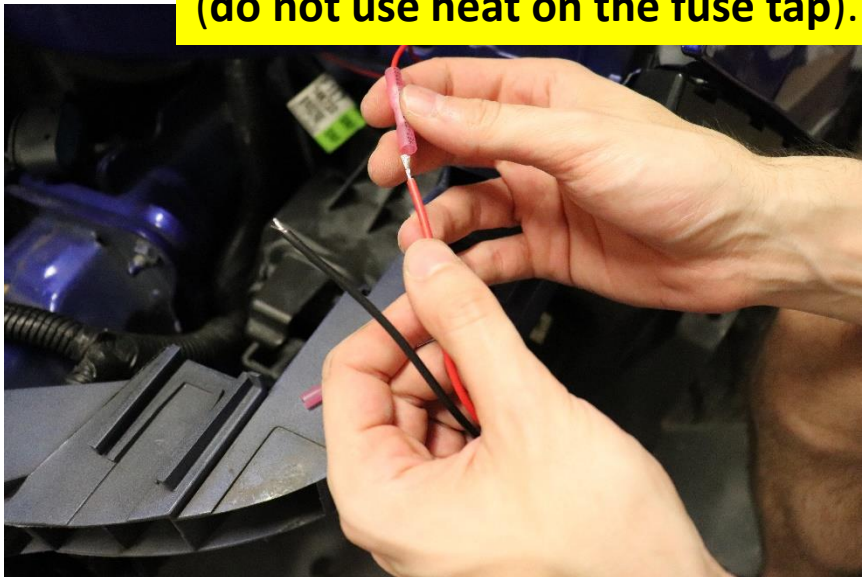
## Wiring the LIT KIT

To begin the wiring install, grab your (1) Diode Dynamics Controller package, (2) Micro2 fuse tap, (3) ¼" ring terminal, (4) butt connectors and (5) red and black silicone wire.

**Red wire:** Strip ¼" of insulation and crimp to the **Micro2 fuse tap**. Crimp the other end to the red wire on the Diode Dynamics pigtail using one of the butt connectors.

**Black wire:** Strip ¼" of insulation and crimp to the **ring terminal**. Crimp the other end to the black wire on the Diode Dynamics pigtail using one of the butt connectors.

Use heat to shrink the **butt connectors** and **ring terminal** after crimping (**do not use heat on the fuse tap**). Ensure a solid crimp first!



## Wiring the LIT KIT

Diode Dynamics pigtail connector

**DO NOT USE HEAT TO SHRINK**

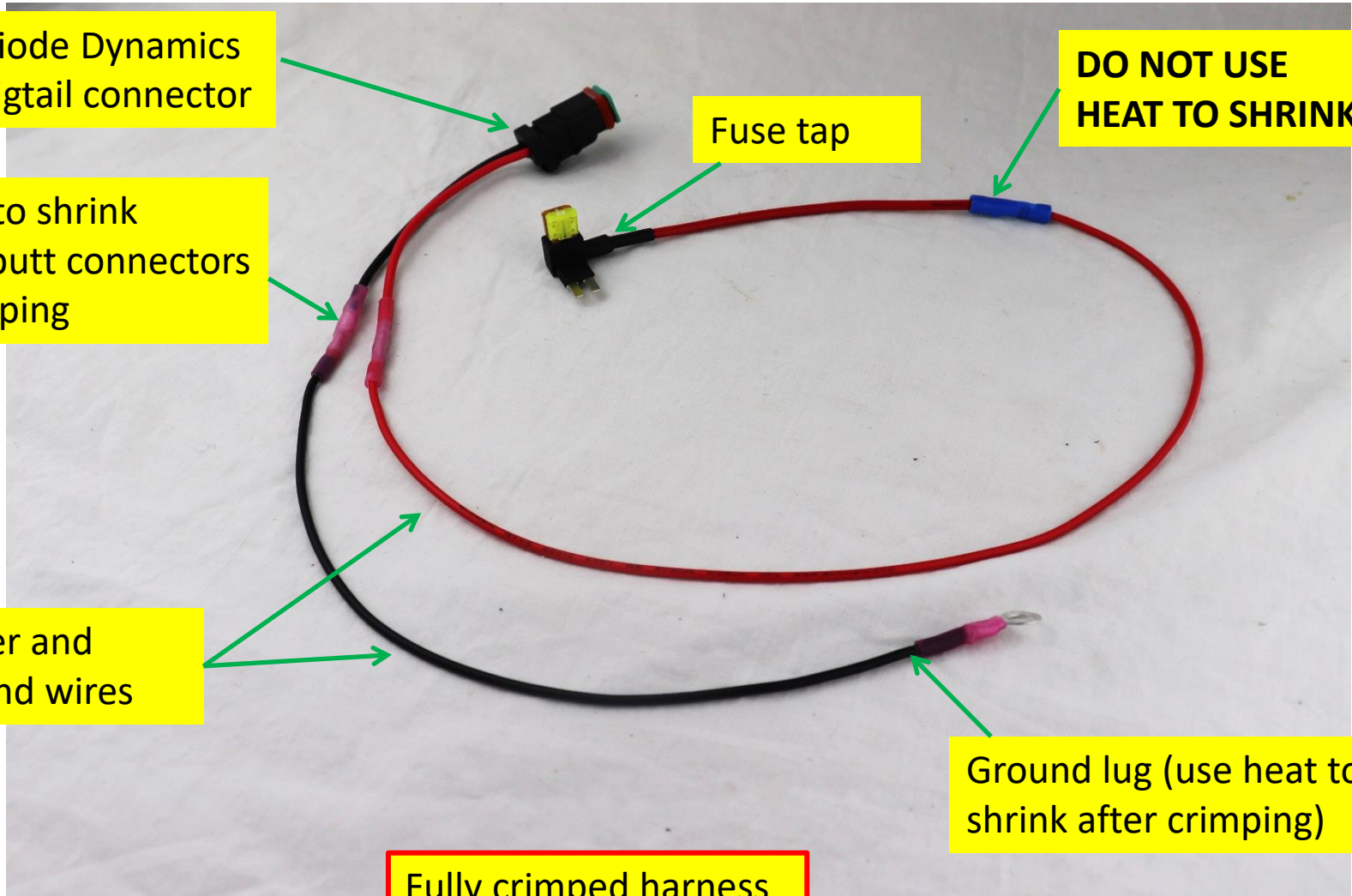
Fuse tap

Use heat to shrink supplied butt connectors after crimping

Power and ground wires

Ground lug (use heat to shrink after crimping)

Fully crimped harness



## Fuse Slots

Open the fuse box in your engine compartment (driver side) and confirm its layout is like that shown in the image.

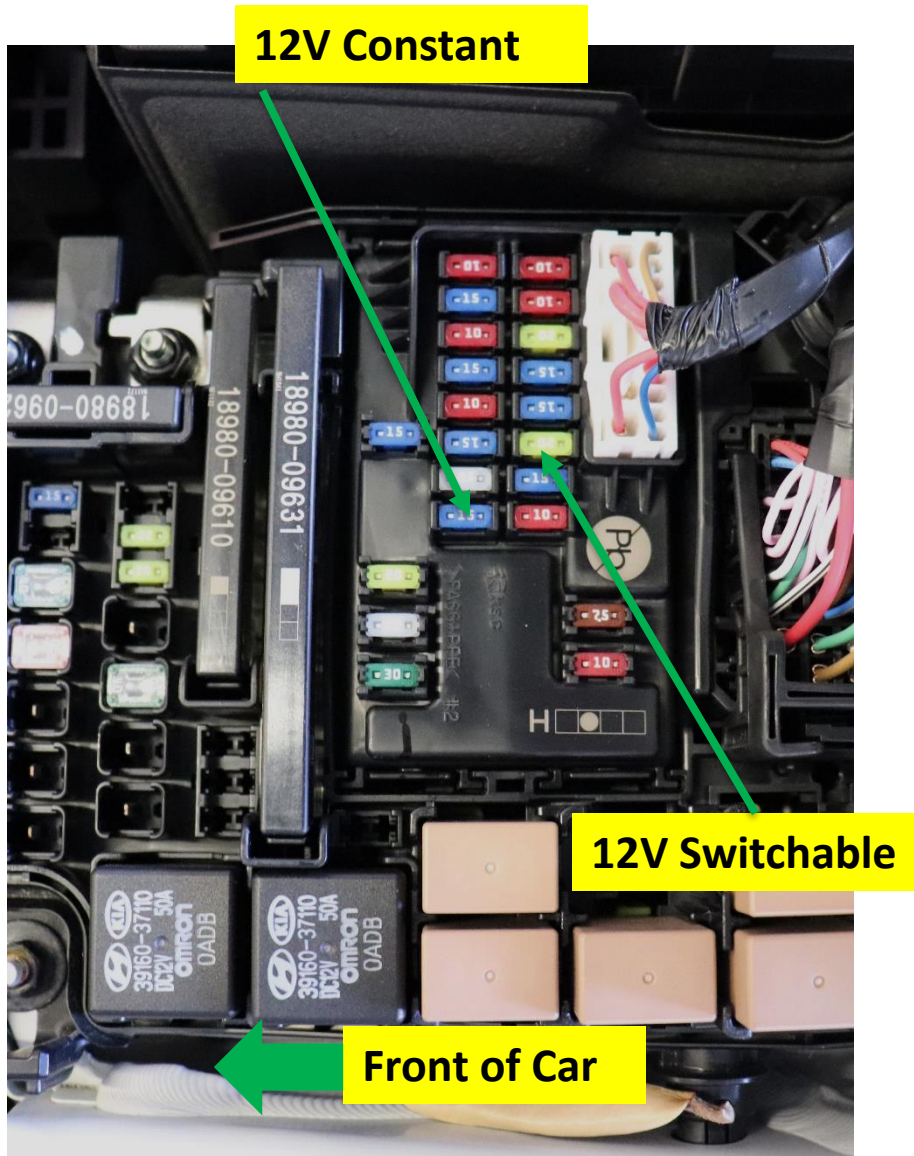
Choose whether you would like your LIT KIT to have supplied power at all times or only when accessories are on. (You can manually turn off the controller using the Diode Dynamics app).

### Choosing a Fuse (Recommendations)

#### 12V Switchable

#### 12V Constant:

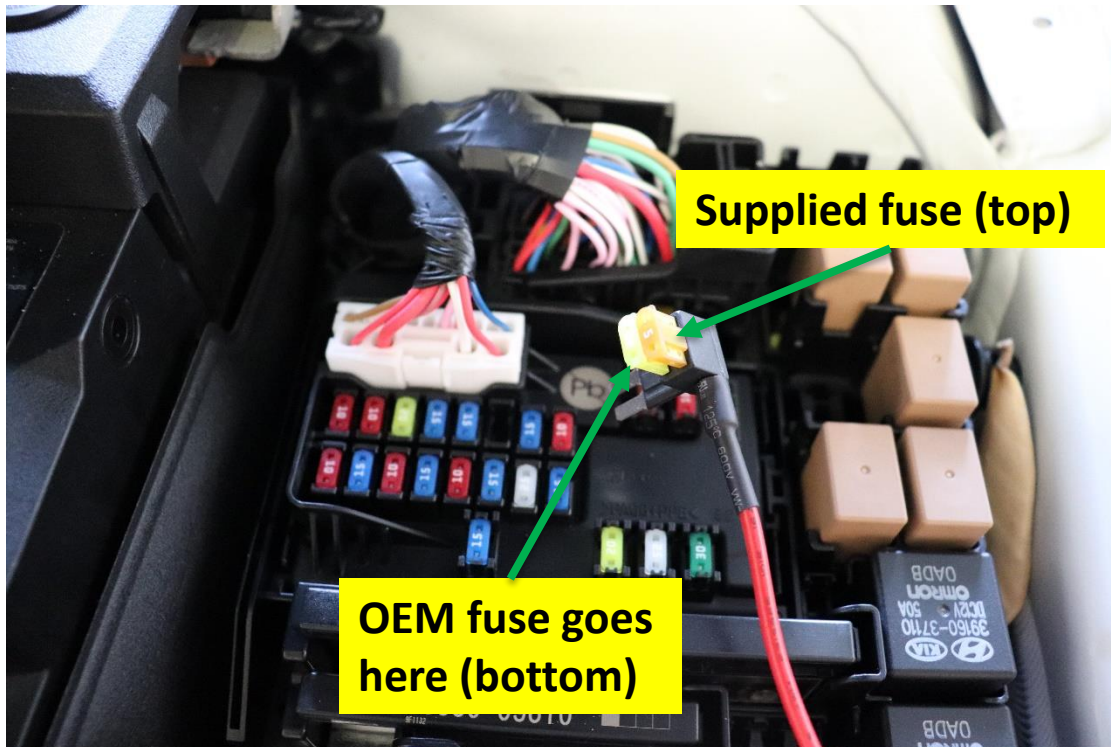
If you choose 12V constant, be sure to turn off your LIT KIT manually using the Diode Dynamics Phone App



## Power the LIT KIT

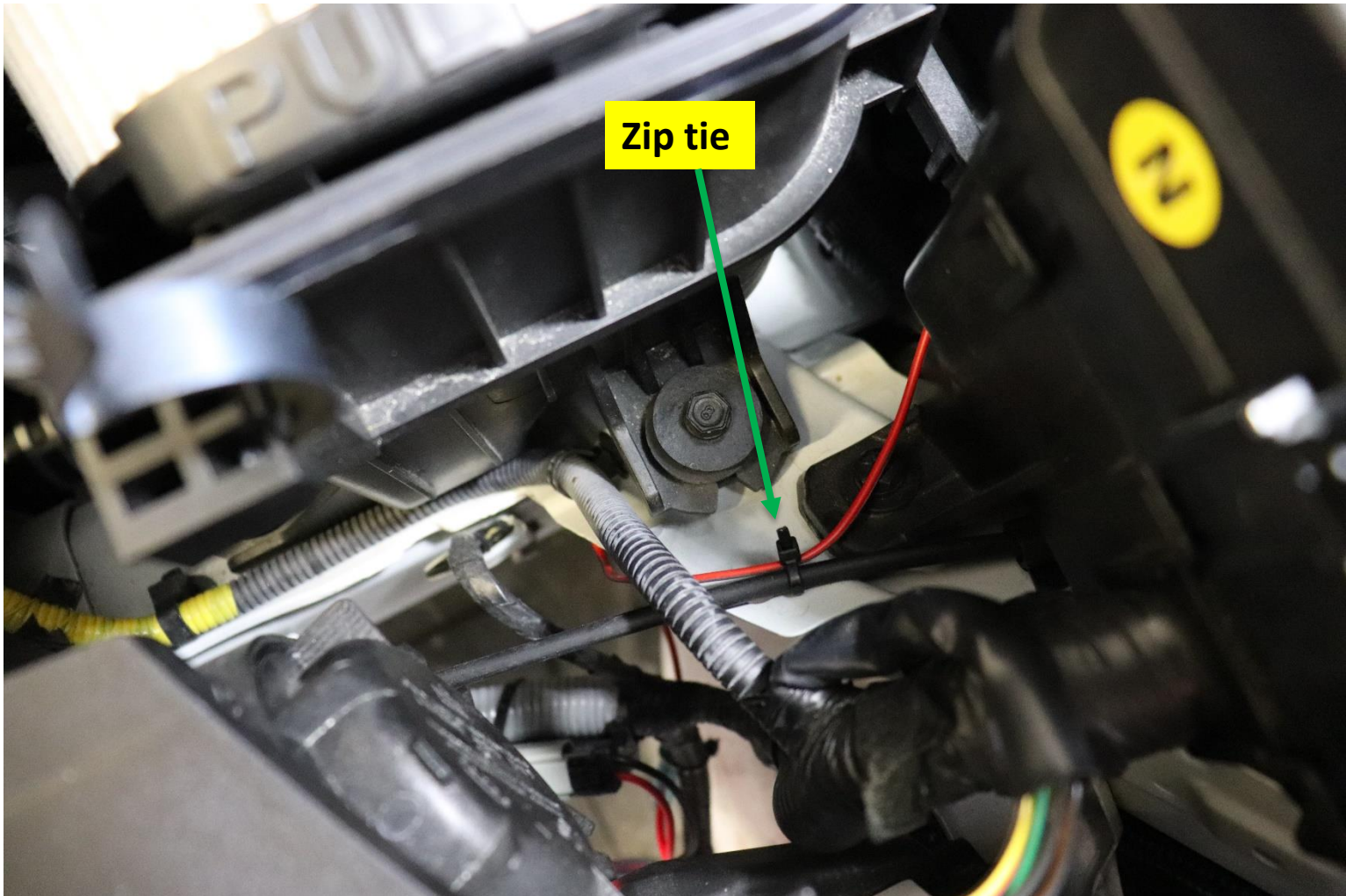
Once you have chosen a fuse to tap, pull it out and place the OEM fuse in the **bottom slot** of the fuse tap. Place the LIT KIT supplied fuse in the **top slot**. Plug the fuse tap into the slot of the original fuse.

Manage the wire such that it does not go through any sharp turns or kinks. **Have the power wire exit the fuse box through the side of fuse box** as shown in the image.



## Wire Management

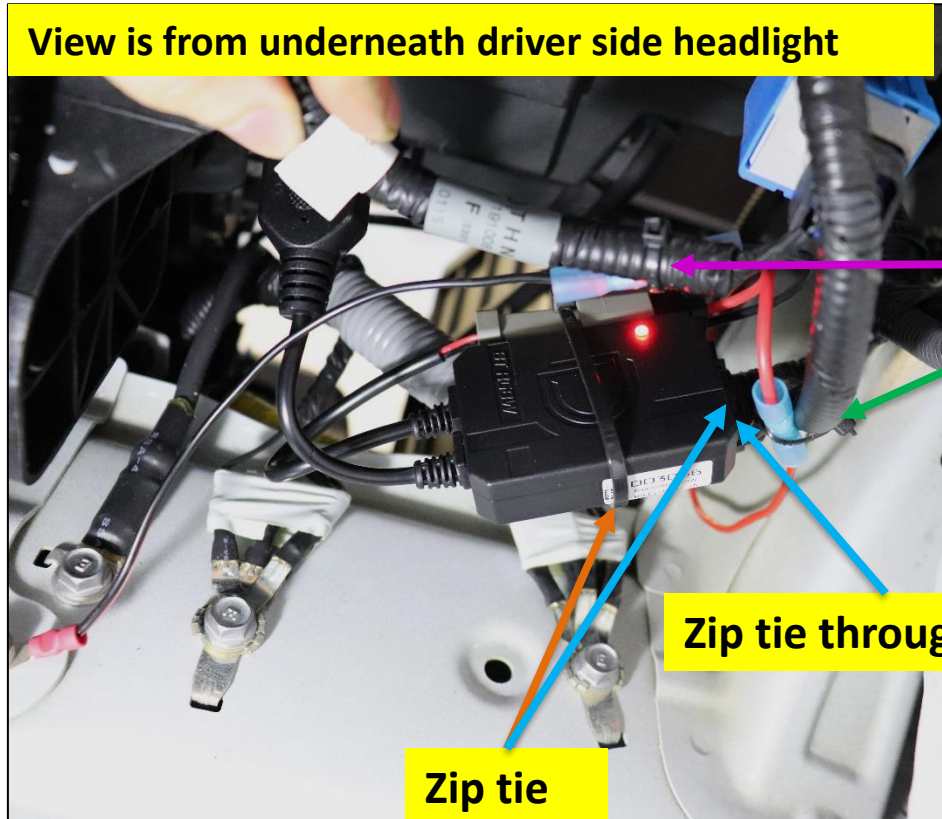
Route the power wire as shown, ensure there is enough slack as to not strain the wire.



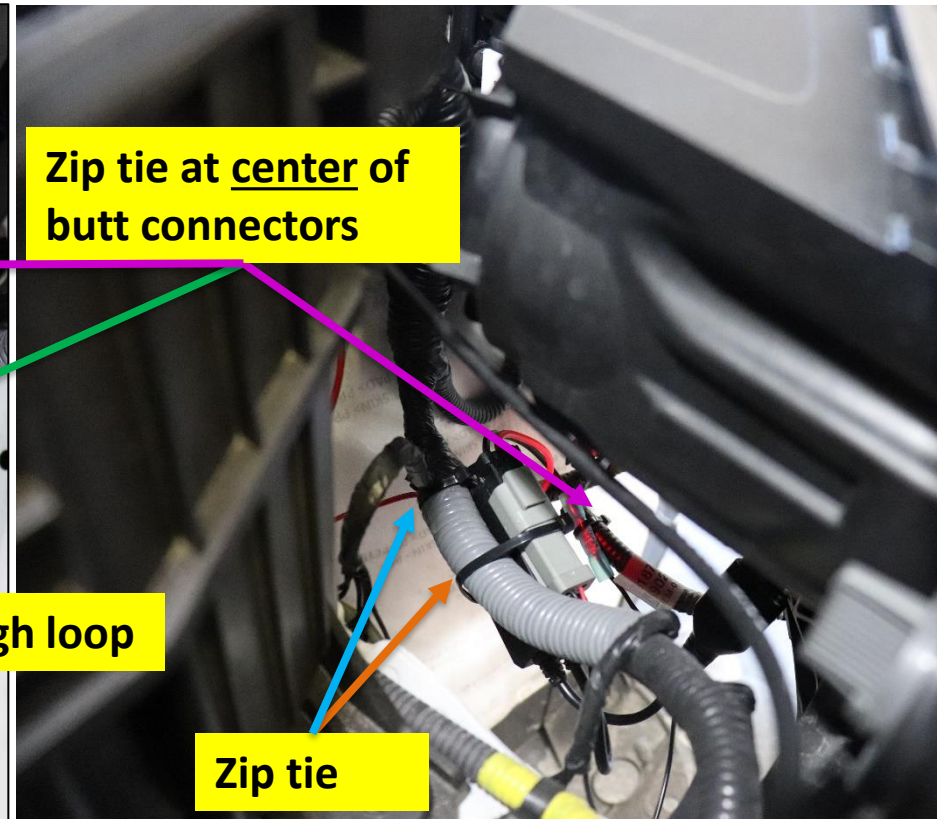
## Wire Management

Fasten the controller and pigtail as shown, ensure none of the wires are looped too tightly or being tugged on. Ensure plenty of strain relief and slack, use zip ties to fasten tightly.

View is from underneath driver side headlight



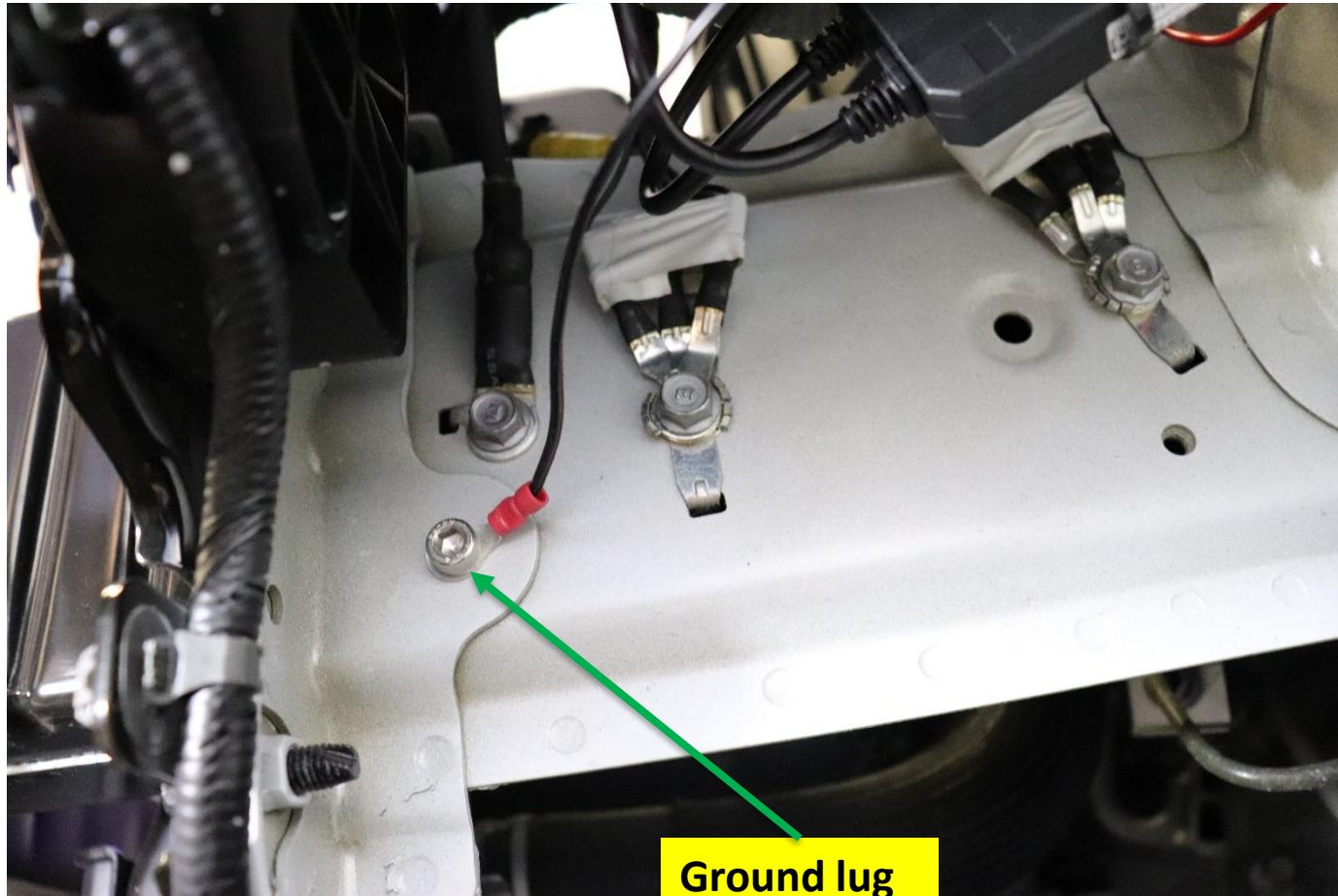
Zip tie at center of butt connectors



Do not zip tie the LED power connectors yet!

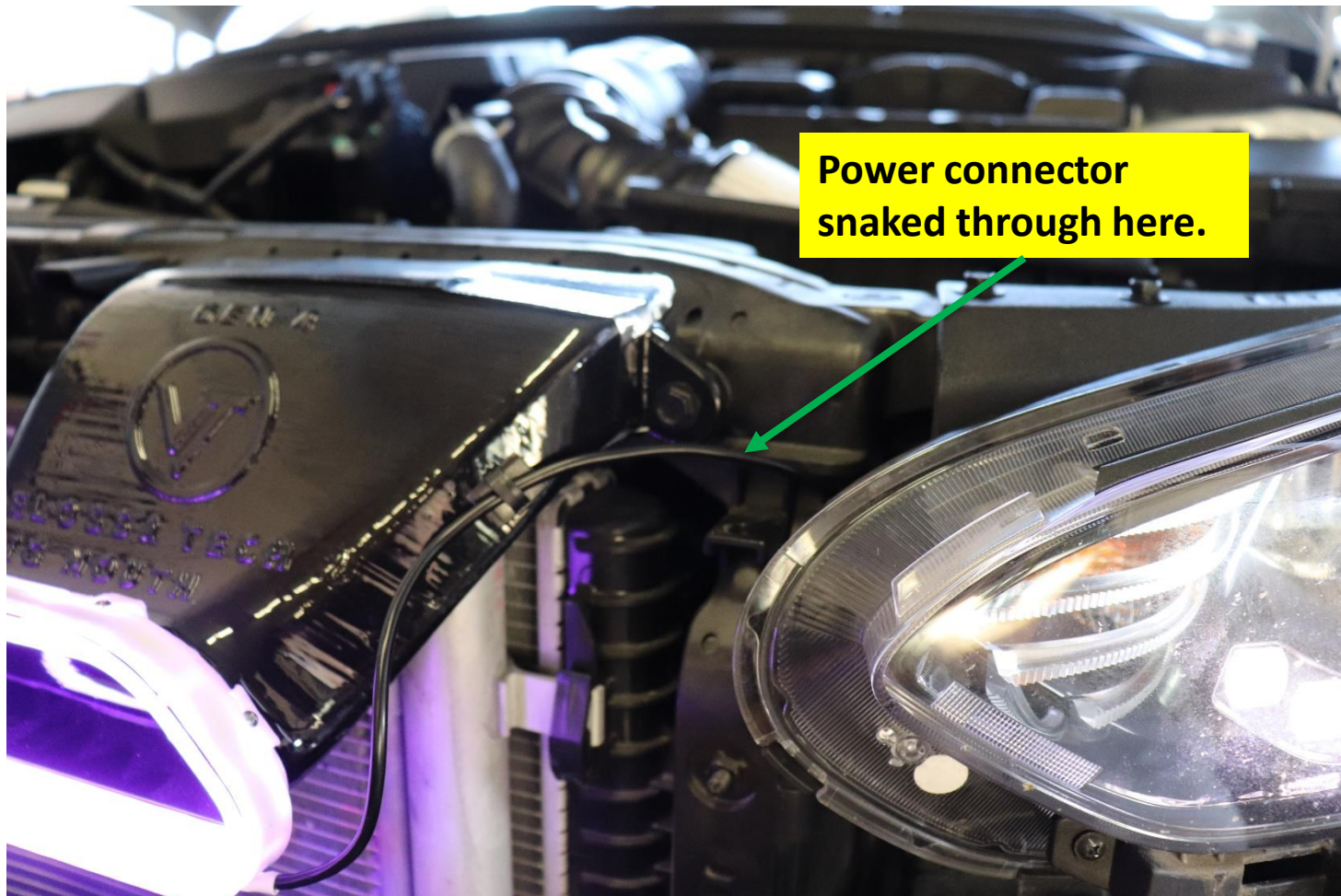
## Wire Management

Ground the pigtail harness using the M6x12 bolt supplied in the kit.



## Wire Management

Snake the Diode Dynamics LED power wire from the BIG MOUTH as shown, connect to the Diode Dynamics controller into one of the 4 ports.

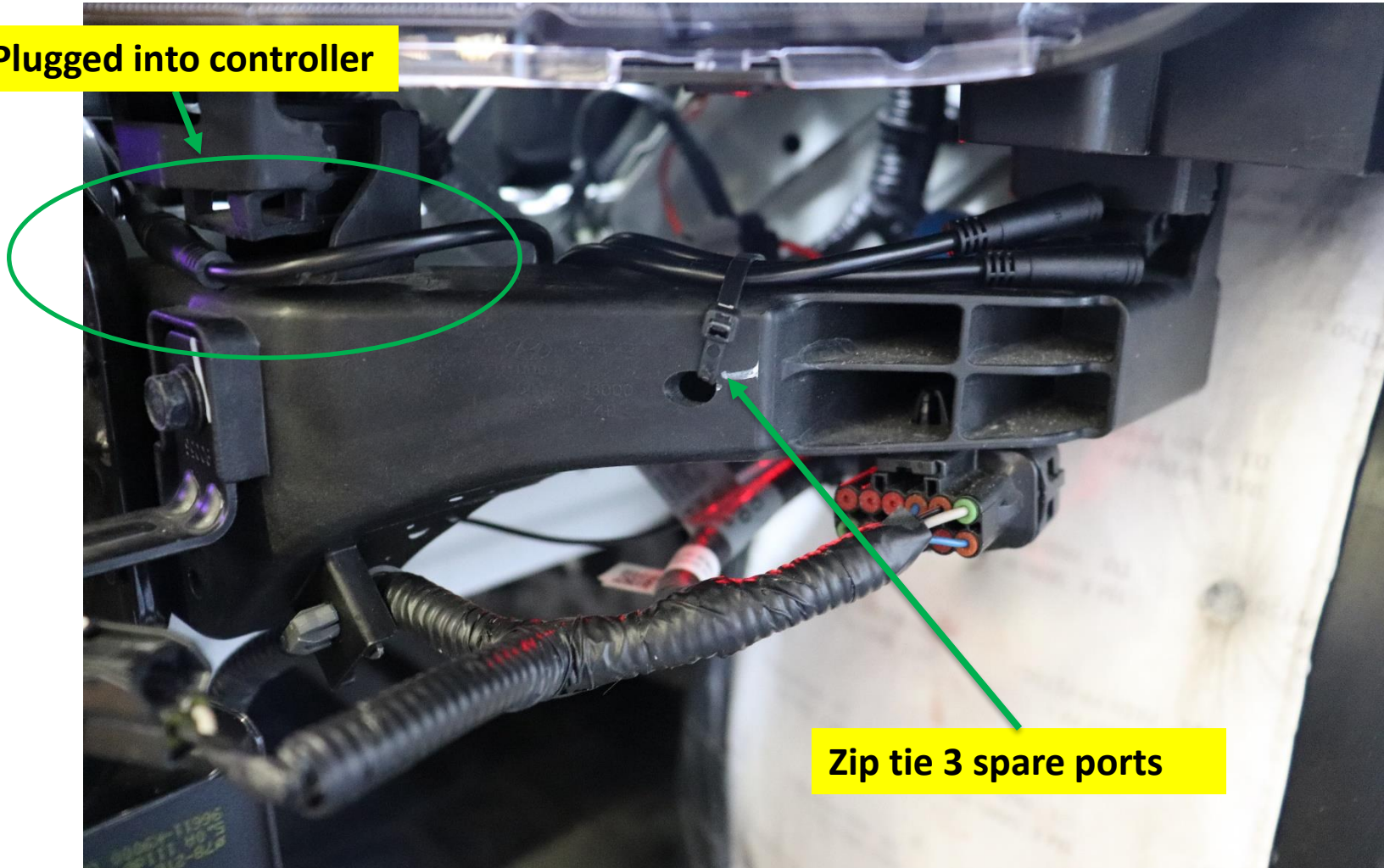




## Wire Management

You may zip tie the other 3 ports as shown.

Plugged into controller



Zip tie 3 spare ports

## Finalize

Download the Diode Dynamics app and connect via Bluetooth.  
Re-install the bumper in the reverse order and installation is complete.

