



**2022+ Hyundai Kona N
BIG MOUTH “LIT KIT” Ram Air
Installation Guide**

Kit Contents (Full Kit)

Please review this document before attempting installation.

You will need basic hand tools and 2 hours of installation time.

| Kit Contents | Qty |
|--|-----|
| Diode Dynamics RGBW Controller | 1 |
| Positive Cable w/ In-Line Fuse | 1 |
| Power Cable w/ Pigtail Connector | 1 |
| Switch | 1 |
| Switch Ground Cable w/ Pigtail Connector | 1 |
| 8" Zip Ties | 5 |
| M6 x 12mm Cap Screw | 1 |
| M6 Lock Nut | 1 |
| Assembled LIT KIT BIG MOUTH | 1 |



Kit Contents (LIT Flare Only)

Please review the table below and make sure you have received the kit contents.

| Kit Contents | Qty |
|---|-----|
| Diode Dynamics RGBW Controller | 1 |
| Positive Cable w/ In-Line Fuse | 1 |
| Power Cable w/ Pigtail Connector | 1 |
| Switch | 1 |
| Switch Ground Cable w/Crimped Connector | 1 |
| 8" Zip Ties | 8 |
| Cable Clips | 2 |



If you already own the Velossa Tech Veloster Turbo BIG MOUTH, skip to slide XX to see install and wiring instructions.



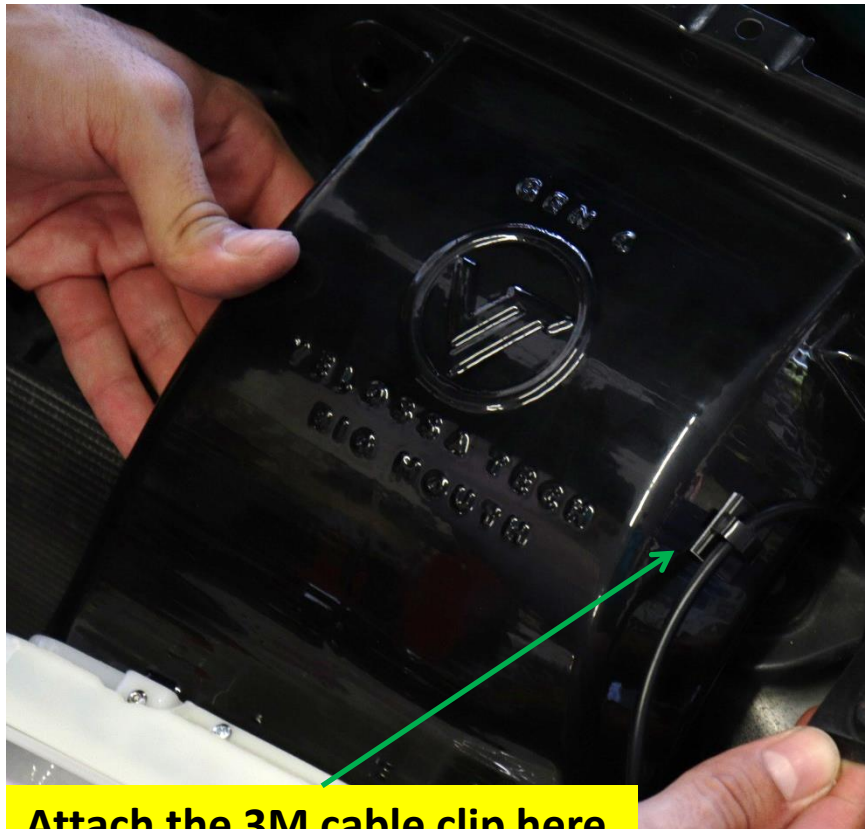
Stock Components Removal

It is best to google “how to remove bumper” for your particular trim, after the bumper is removed, you will see the following.

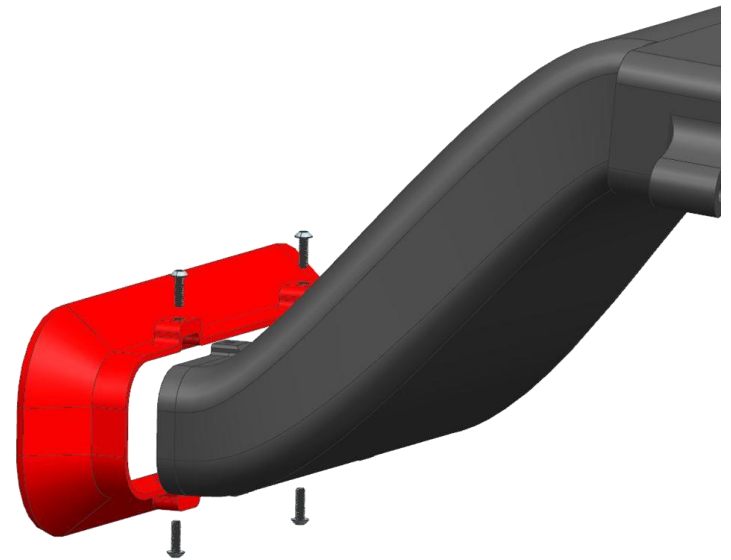
Install the LIT BIG MOUTH Flare

SKIP THIS SLIDE IF YOU PURCHASED A FULL LIT KIT

Attach the supplied cable clip to your BIG MOUTH as shown. Fasten the cable and provide enough slack to not strain the cable.



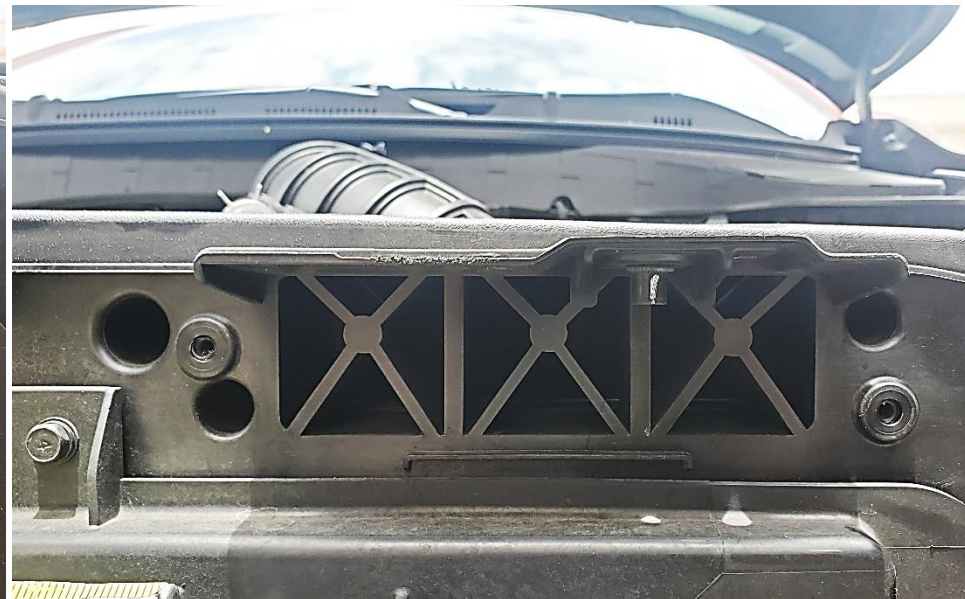
Attach the 3M cable clip here



If you purchased a LIT flare-only and already have a Gen 4 BIG MOUTH. Remove old flare and install the LIT flare with the 4 screws as shown.

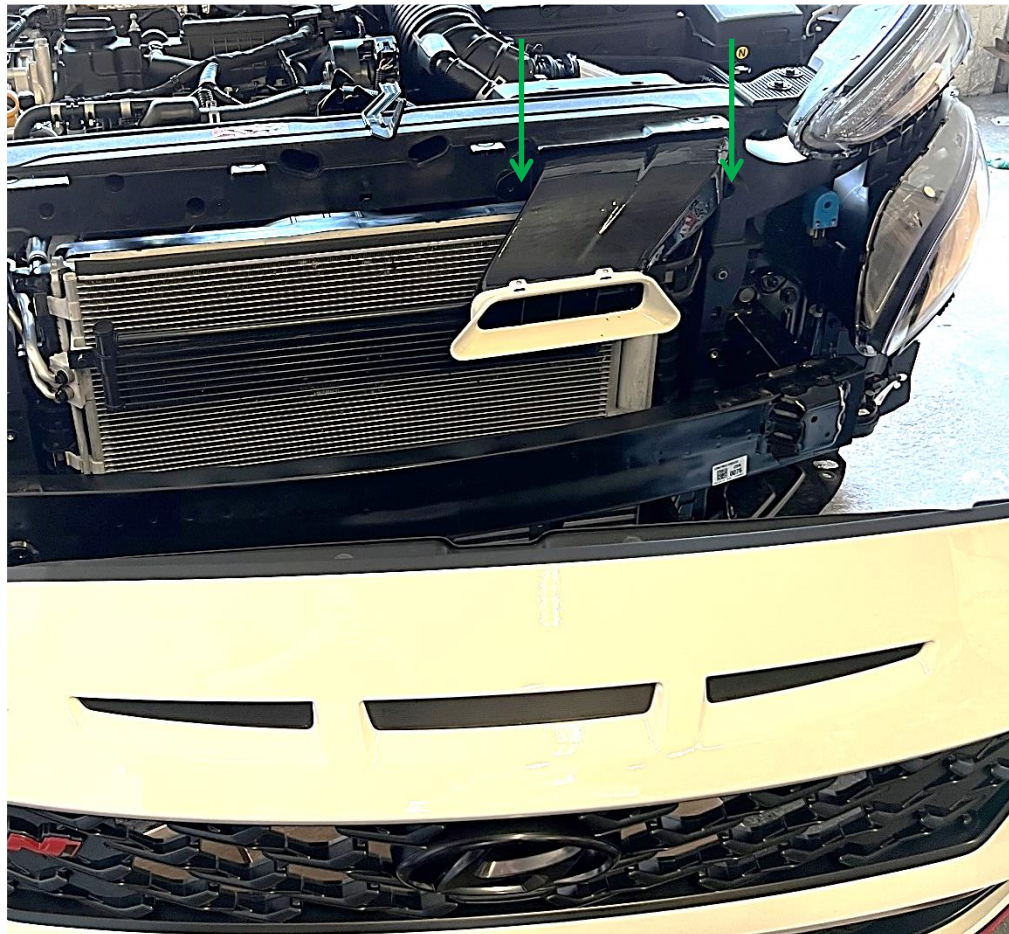
BIG MOUTH Installation

Remove the OEM plastic flap, keep these screws. Re-use the screws to fasten the BIG MOUTH to the radiator support.



Big Mouth Installation

Fasten the BIG MOUTH as shown, use the OEM screws. Start the threads by hand, do not over torque.



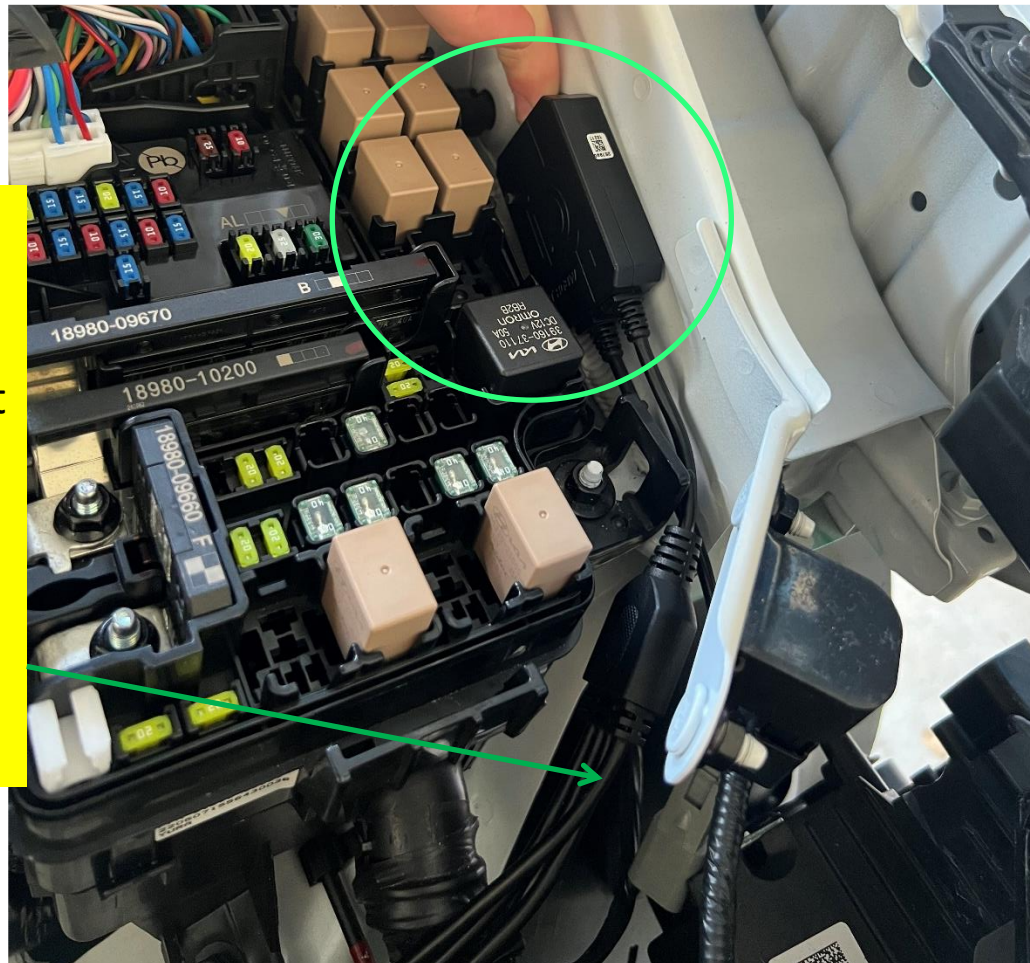
Snake the LED wire through here. Ensure there is enough slack.



Big Mouth Wiring

Mount the controller on any flat location using the double sided tape. Clean the surface with a clean cloth prior, and press firmly in place as shown.

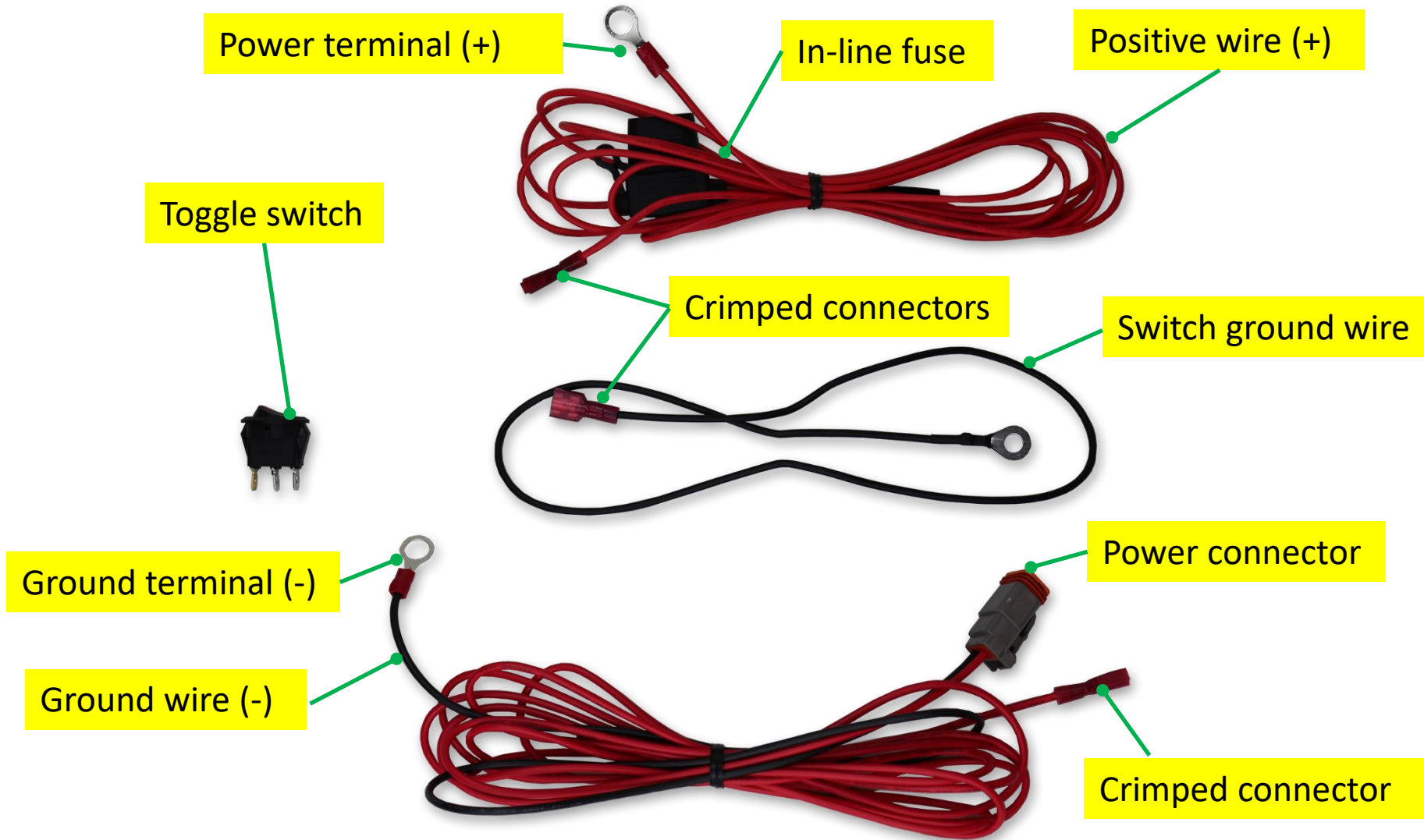
Plug in the LED cable into one of the four controller ports (**make sure to line up the arrows on the connectors!**), it does not matter which port you use. The other three ports can accept any Diode Dynamics lighting strip for underglow or underhood lighting (sold separately).





VELOSSA TECH

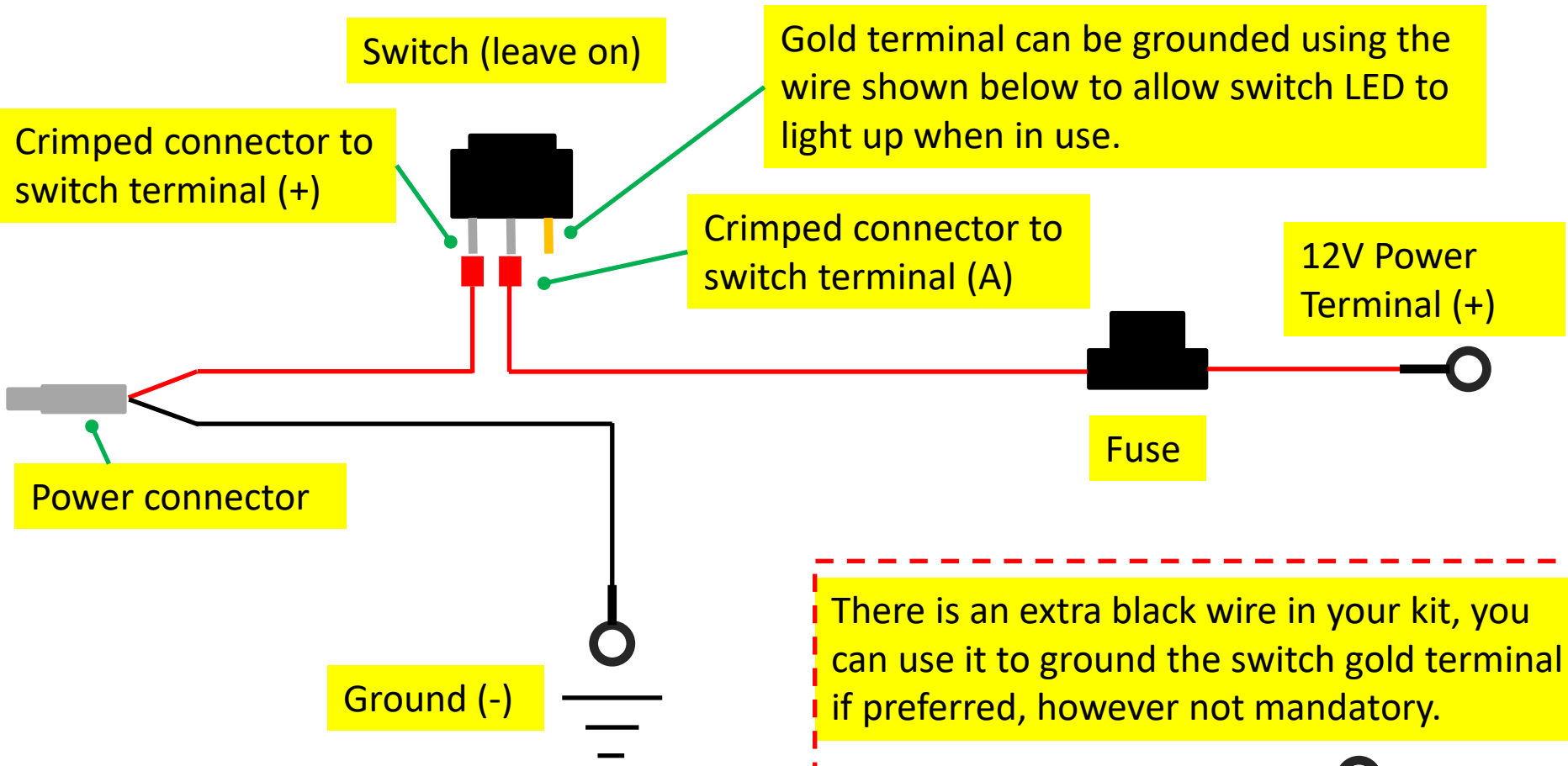
Wiring Harness





VELOSSA TECH

Wiring Harness Schematic



Crimped connector to switch terminal (+)

Switch (leave on)

Gold terminal can be grounded using the wire shown below to allow switch LED to light up when in use.

Crimped connector to switch terminal (A)

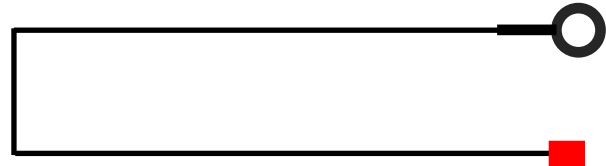
12V Power Terminal (+)

Fuse

Power connector

Ground (-)

There is an extra black wire in your kit, you can use it to ground the switch gold terminal if preferred, however not mandatory.

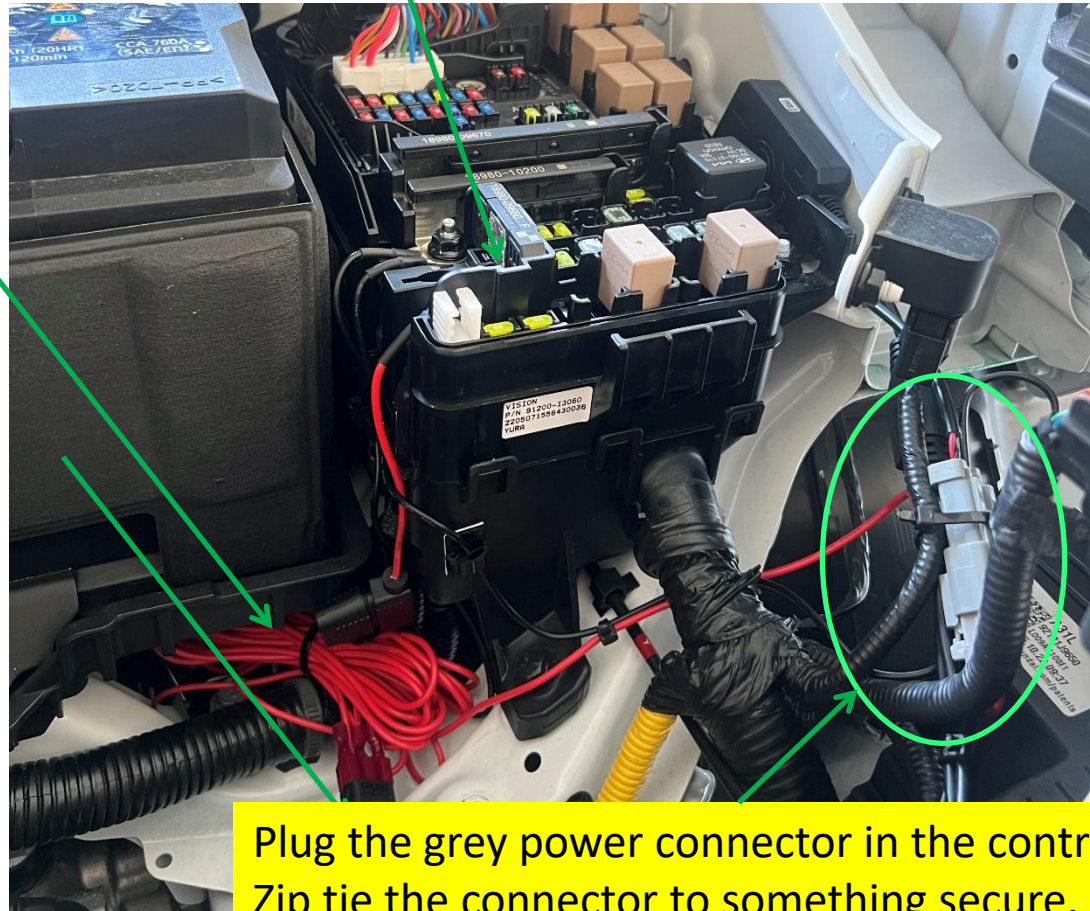


Big Mouth Wiring

Use the 12V supply located in the fuse box, fasten the power ring terminal to it. You can also use the battery for 12V power.

Make a bundle of excess wire and zip tie it in a clean fashion.

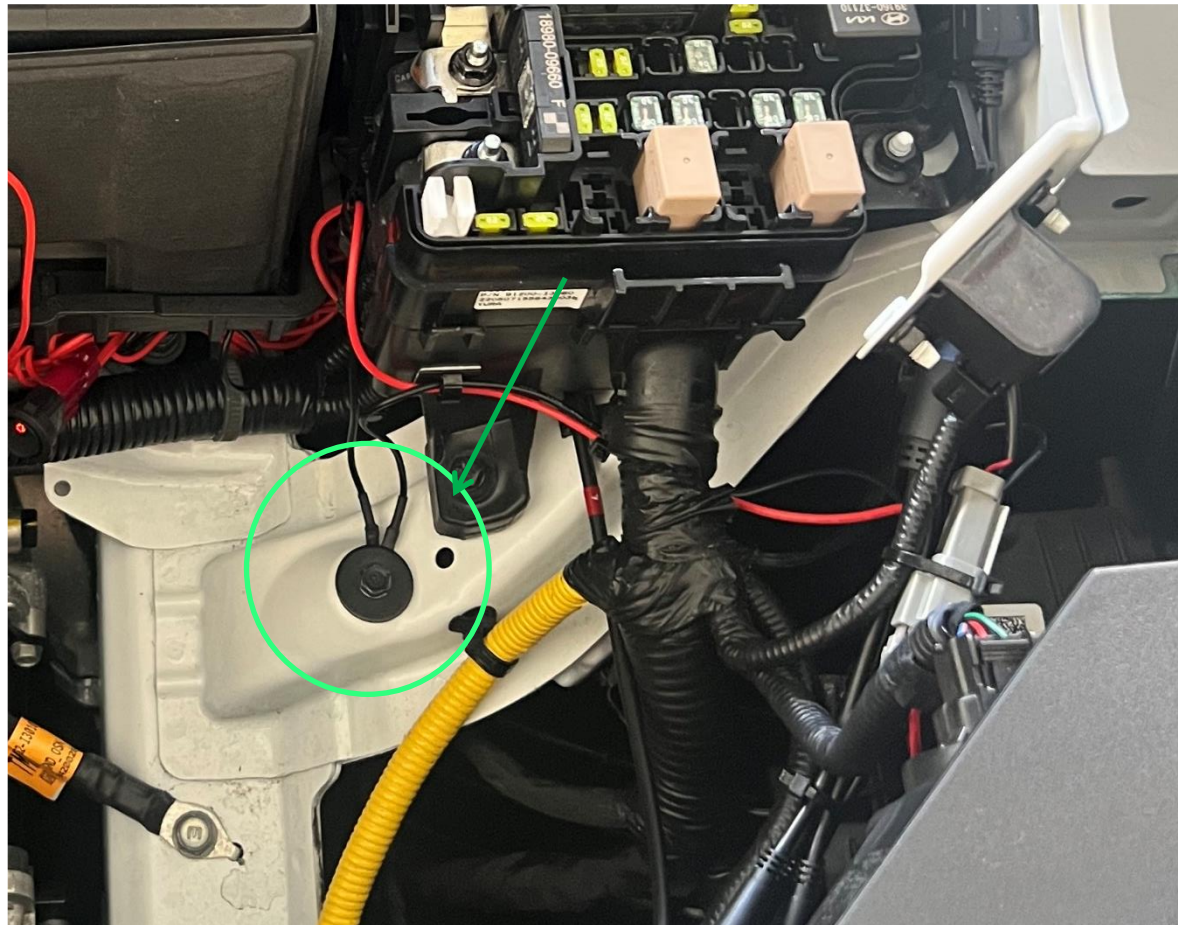
Plug the switch into the wiring harnesses according to the schematic. One harness goes to the 12V source, the other harness plugs into the grey power connector. Bundle the harnesses. And secure them with zip ties.



Plug the grey power connector in the controller.
Zip tie the connector to something secure.

Big Mouth Wiring

Ground is important for the controller, it must be a solid connection. Find a ground point that goes into the metal chassis. There are two ground wires, one is for the controller (important) and one is for the little red LED on the power switch which you may or may not use.



Phone App

Download the Diode Dynamics app and connect via Bluetooth.

How to connect to the app:

1. After installing the app from the app store, open the app on your device.
2. Cycle the power to the Bluetooth controller by unplugging it and plugging it back in or flick the power switch and wait a few seconds, then turn it back on.
3. Wait for the app to detect the controller, it will pop up on the app screen as a Bluetooth controller. If necessary, cycle the power once more to refresh the controller.
4. Once the controller shows up on the app, click it and connect. You have 30 seconds to select the controller once it shows up on the app. After 30 second you will need to refresh again to detect the controller again.
5. Note that if you mounted your controller behind a lot of metal components, this may degrade the signal and range.





Finalize

Re-install the bumper the same way it was removed and ENJOY!

