



2021+ Hyundai Elantra N-Line BIG MOUTH Intake Installation Guide



Kit Contents

Please review this document before attempting installation.

You will need basic hand tools and about 2 hours of installation time.

This product reuses OEM hardware and does not require additional hardware.





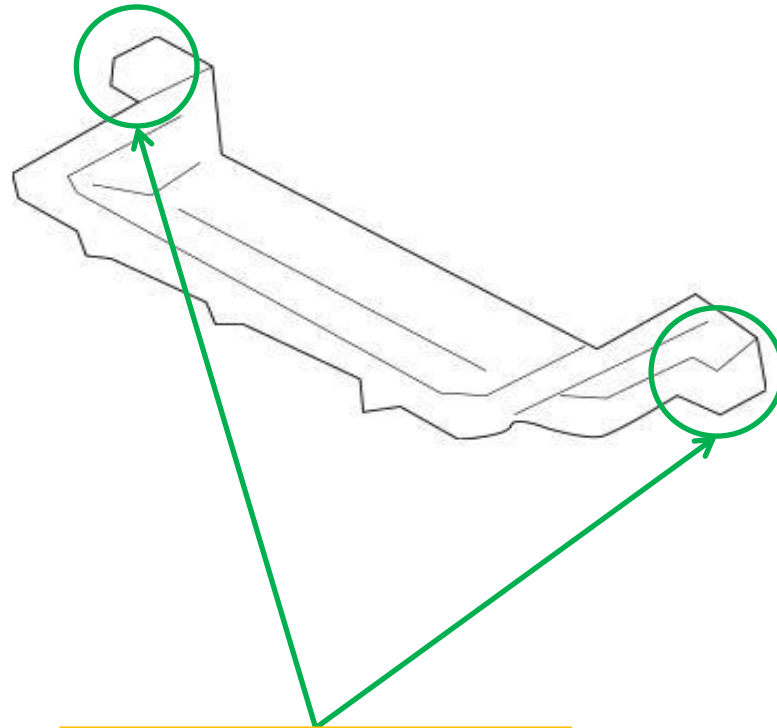
Bumper Removal

REMOVE BUMPER PRIOR TO ATTEMPTING INSTALLATION.

Use YouTube as a resource, there are many bumper removal videos to guide you.

Stock Components Removal

Remove the stock air scoop. Hold on to the OEM screws that retain it because they will be reused to install the Big Mouth.



This piece will not be reused

Big Mouth Installation

Slide the BIG MOUTH over the opening and attach using the OEM hardware. **DO NOT OVERTIGHTEN.**





Finalize

Re-install the bumper the same way it was removed and ENJOY!

