



Hyundai Elantra GT N BIG MOUTH Intake Installation Guide



Kit Contents

Please review this document before attempting installation.

You will need basic hand tools and 1 hour or less of installation time.

Please review the table below and make sure you have received the kit contents.

Description	Qty in kit
M6 x 30mm socket head cap screw	2
6mm washers	2



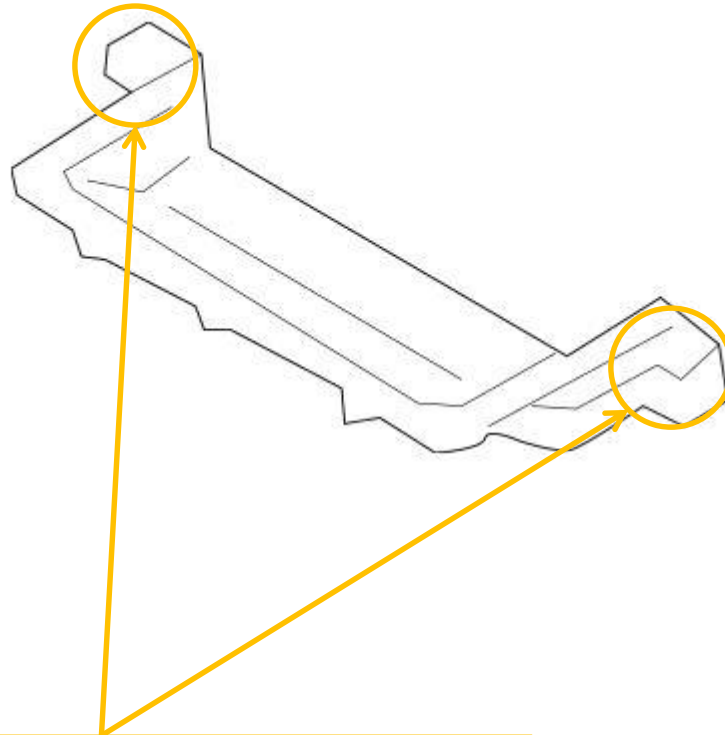


Stock Components Removal

REMOVE BUMPER PRIOR TO ATTEMPTING INSTALLATION!!!

Stock Components Removal

Once the bumper is removed, you will need to remove the one OEM component shown below.

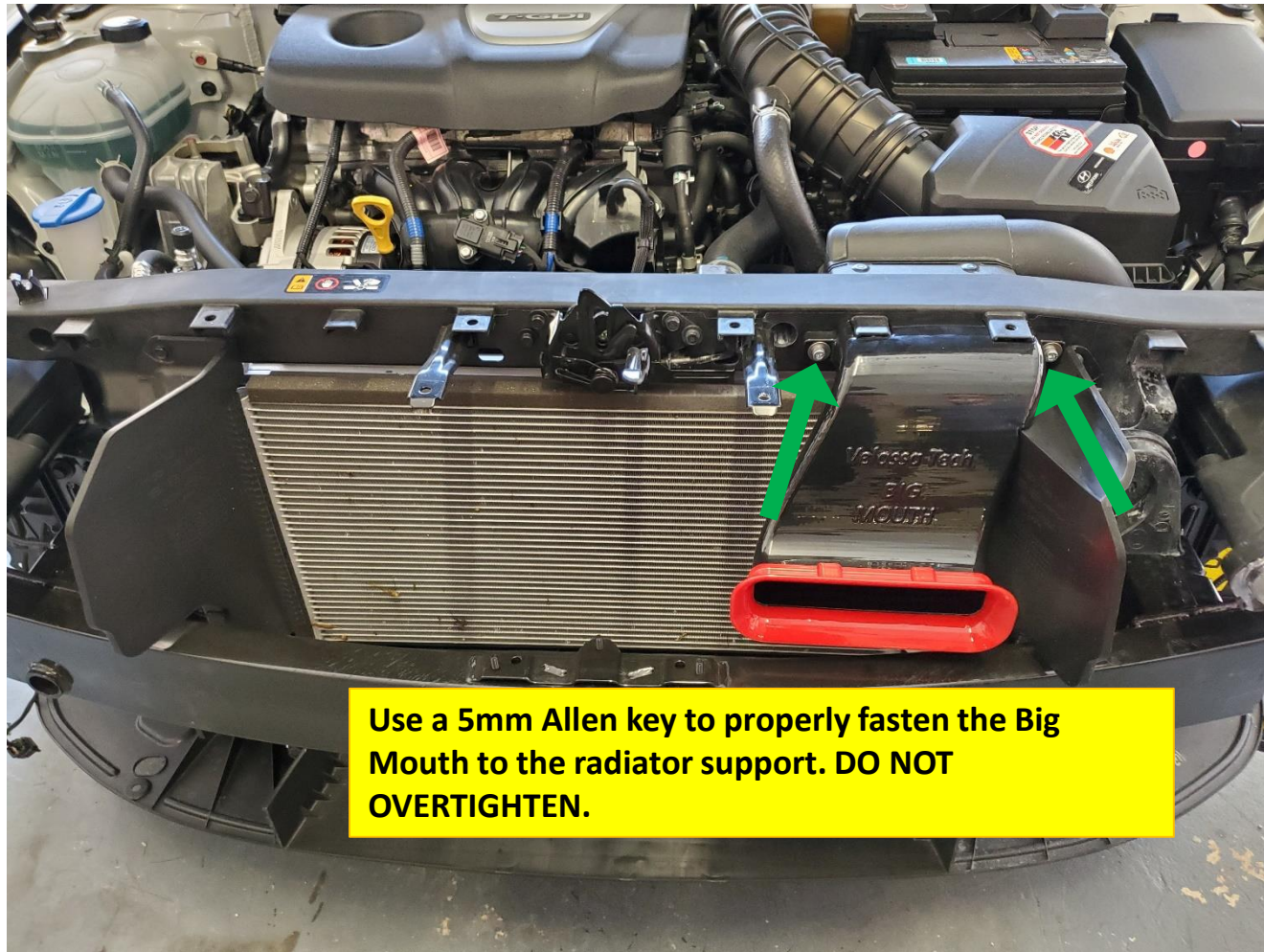


Remove the OEM air shield component by removing the 10mm bolts. This piece and its hardware will not be reused.



Big Mouth Installation

Slide the big mouth over the opening and attach using the provided hardware.



Use a 5mm Allen key to properly fasten the Big Mouth to the radiator support. DO NOT OVERTIGHTEN.

Finalize

Re-install the bumper the same way it was removed and ENJOY!

