



**2019-2022 Toyota Corolla
BIG MOUTH Lit Kit Installation
Guide**

Kit Contents (Full Kit)

Please review this document before attempting installation.

You will need basic hand tools and 2 hours of installation time.

Kit Contents	Qty
10mm retainer clip	1
7mm retainer clip	1
Mud skirt retainer clip	1
Diode Dynamics RGBW Controller	1
Positive Cable w/ In-Line Fuse	1
Power Cable w/ Pigtail Connector	1
Switch	1
Switch Ground Cable w/ Crimped Connector	1
8" zip ties	8
Cable clip	2
Assembled LIT KIT BIG MOUTH	1



Kit Contents (LIT Flare Only)

Please review the table below and make sure you have received the kit contents.

Kit Contents	Qty
Diode Dynamics RGBW Controller	1
Positive Cable w/ In-Line Fuse	1
Power Cable w/ Pigtail Connector	1
Switch	1
Switch Ground Cable w/ Crimped Connector	1
8" Zip Ties	8
Cable Clip	2
Assembled LIT KIT BIG MOUTH	1





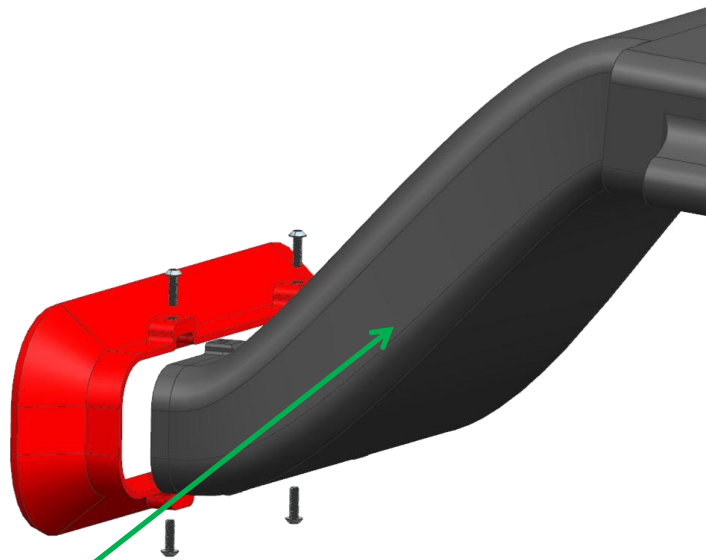
Stock Components Removal

It is best to Google “how to remove bumper” for your particular trim.

Install the LIT BIG MOUTH Flare

SKIP THIS SLIDE IF YOU PURCHASED A FULL LIT KIT

Attach the supplied cable clip to your BIG MOUTH as shown. Fasten the cable and provide enough slack to not strain the cable.



Attach the 3M cable clip here

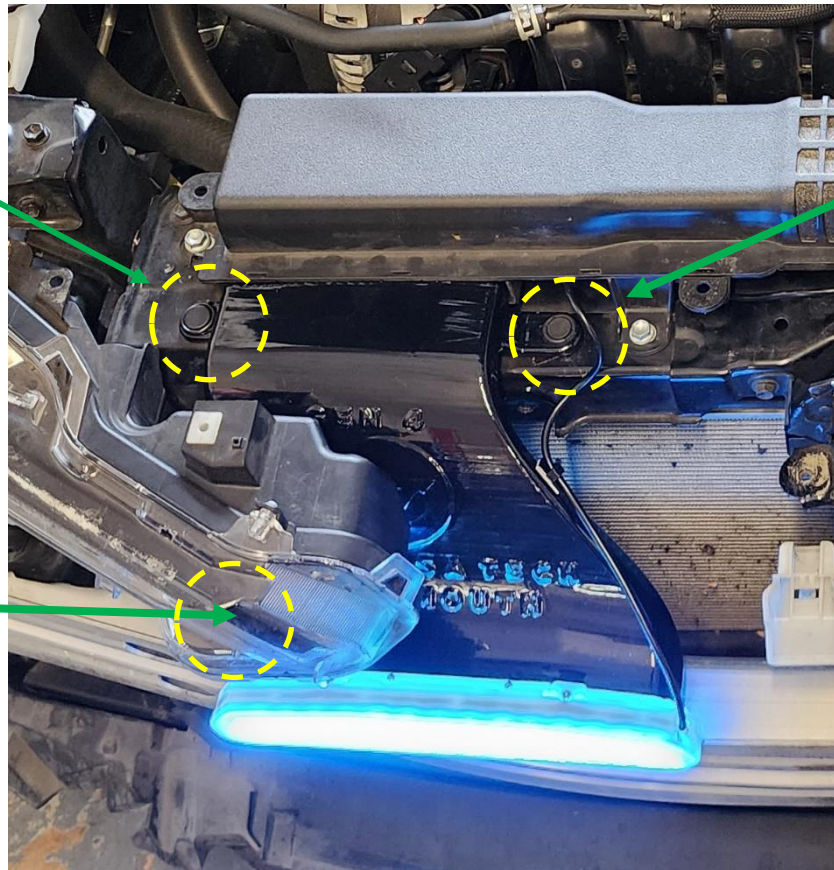
If you purchased a LIT flare-only and already have a Gen 4 BIG MOUTH. Remove old flare and install the LIT flare with the 4 screws as shown.

Big Mouth Installation

There are 3 fastening points that require 3 distinct fasteners. Check out the graphic below to match each fastener to its fastening point.



**Left ear: 7mm
retainer clip**



**Right ear: 10mm
retainer clip**

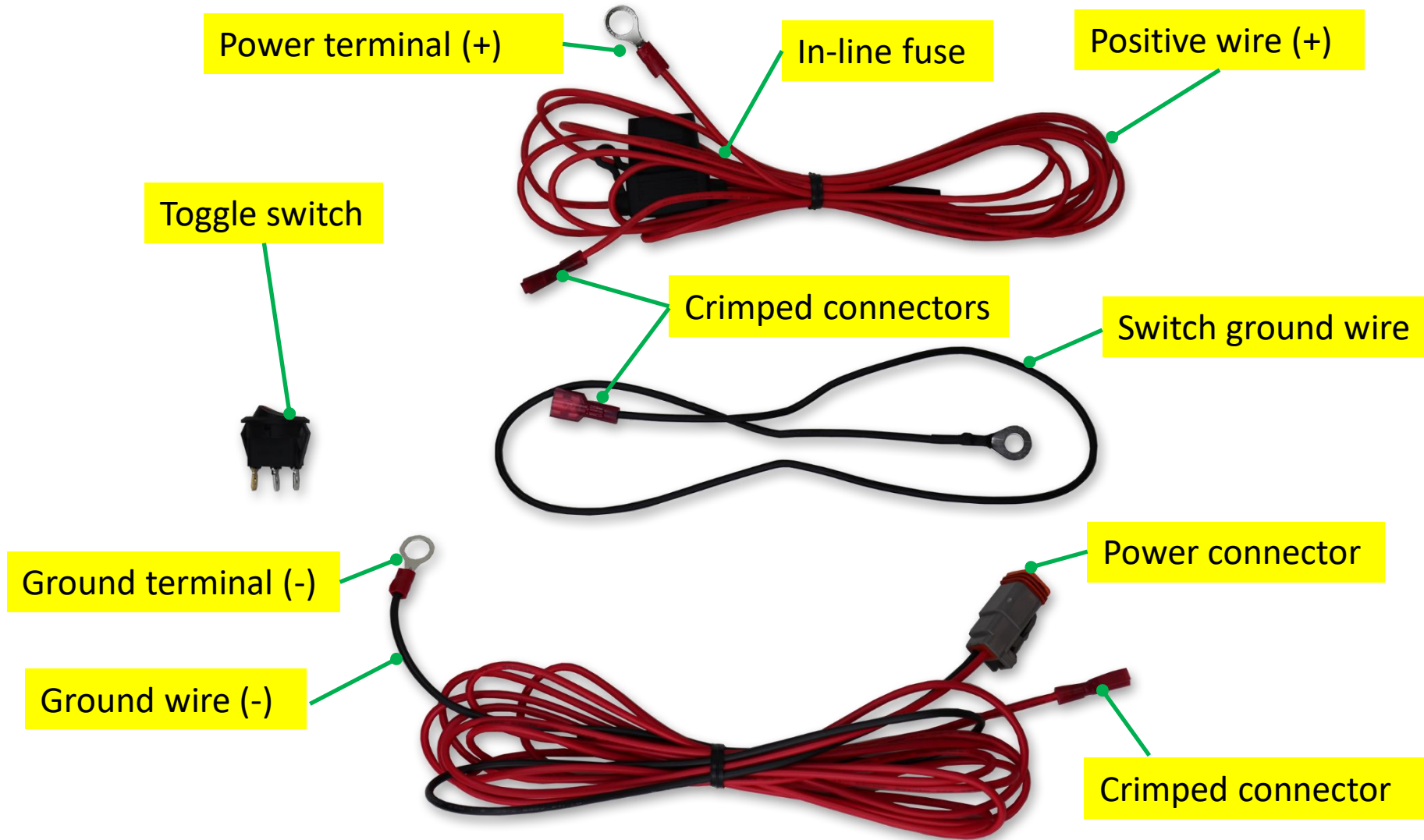


**Lower ear:
mud skirt clip**



VELOSSA TECH

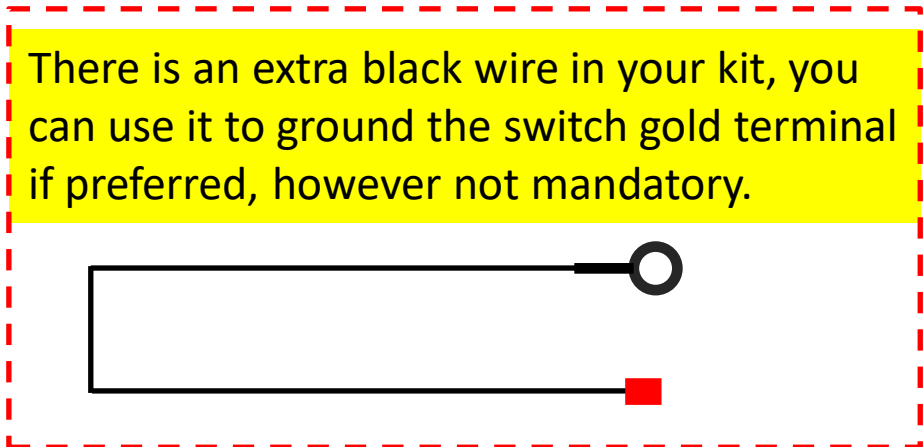
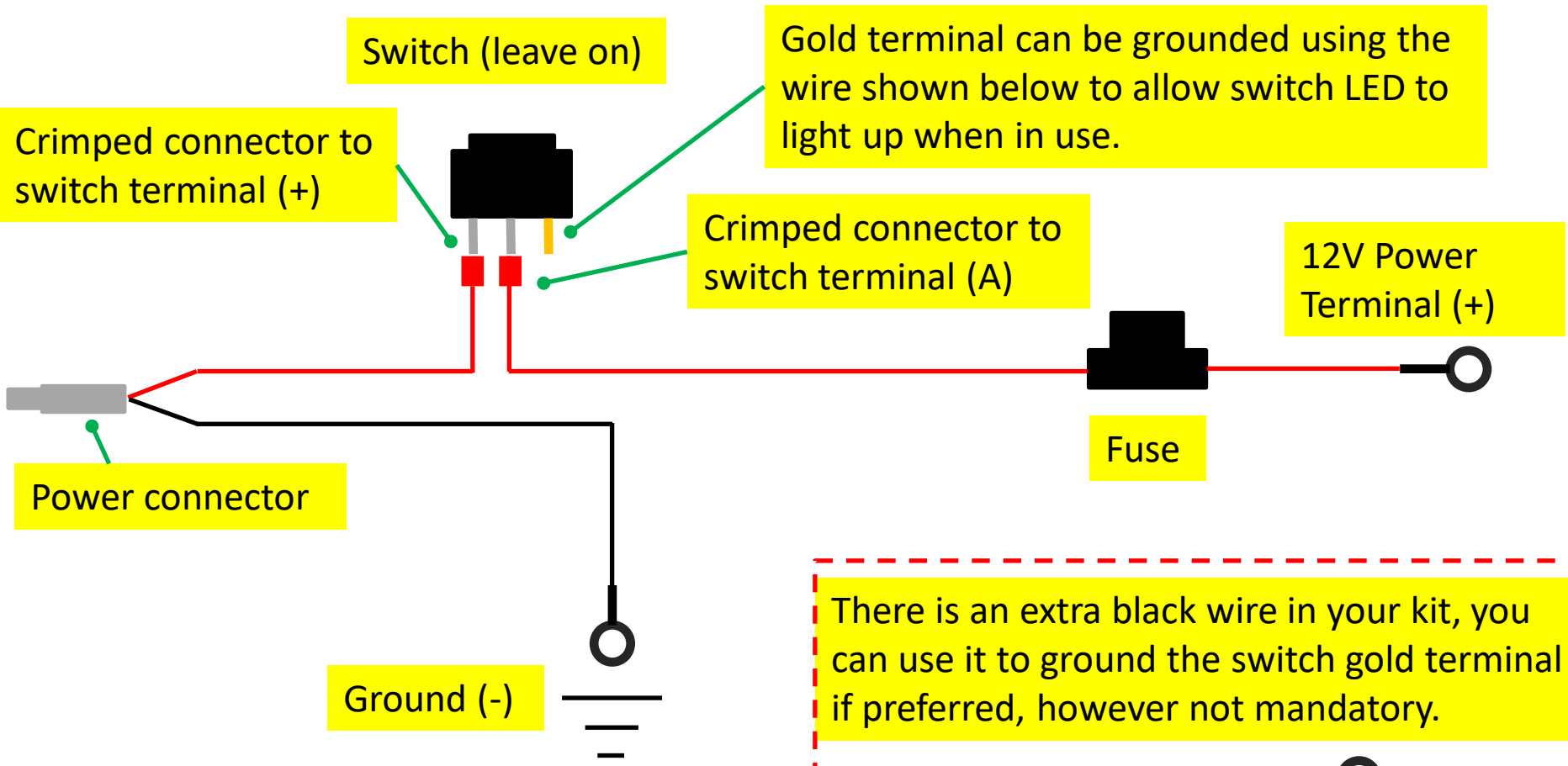
Wiring Harness





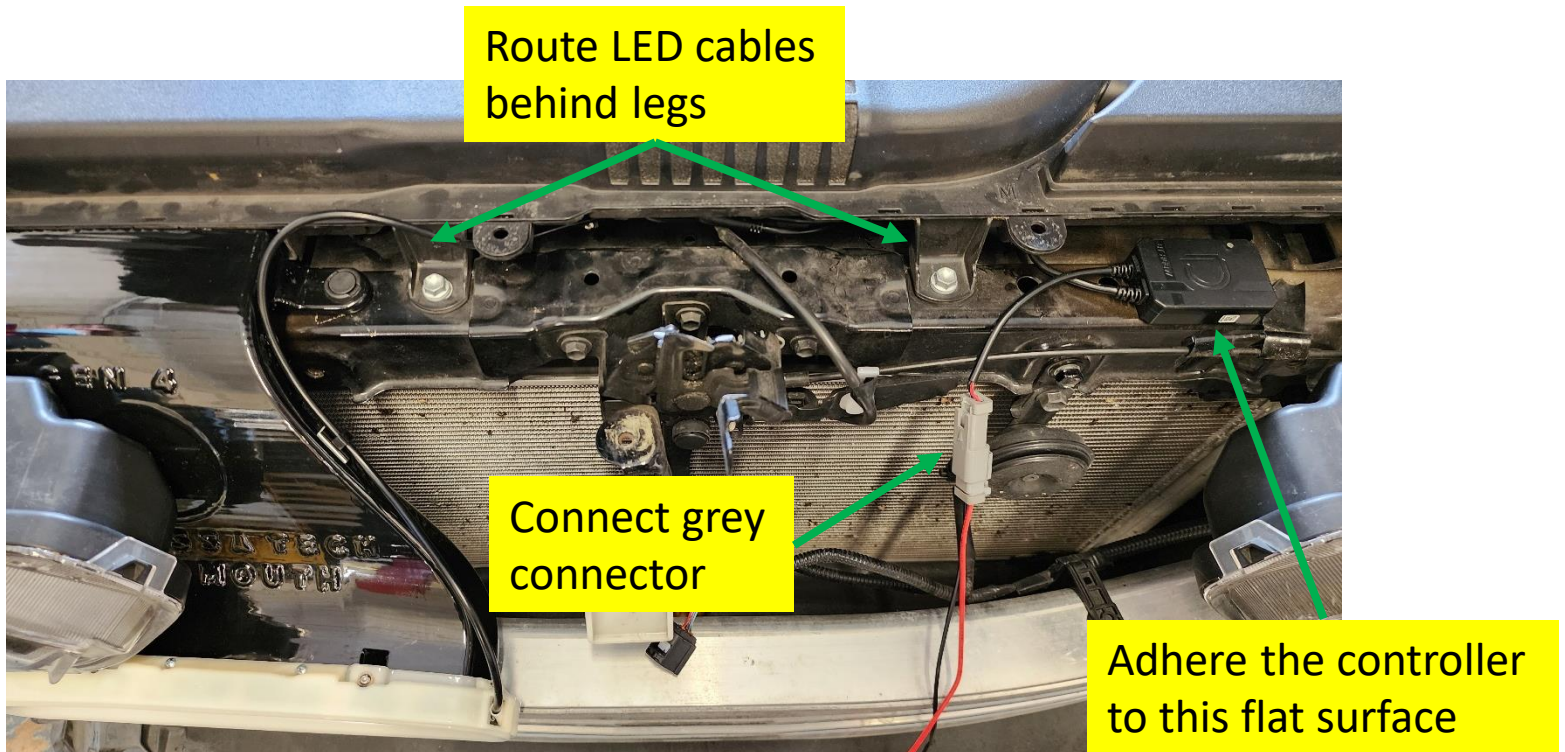
VELOSSA TECH

Wiring Harness Schematic



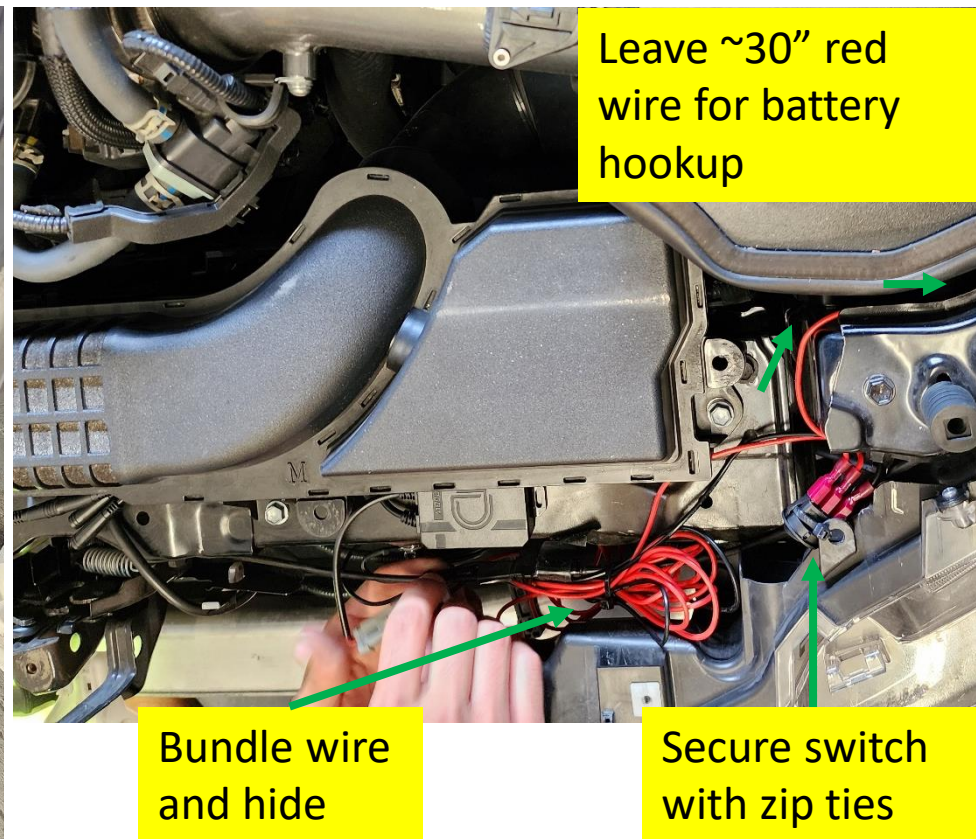
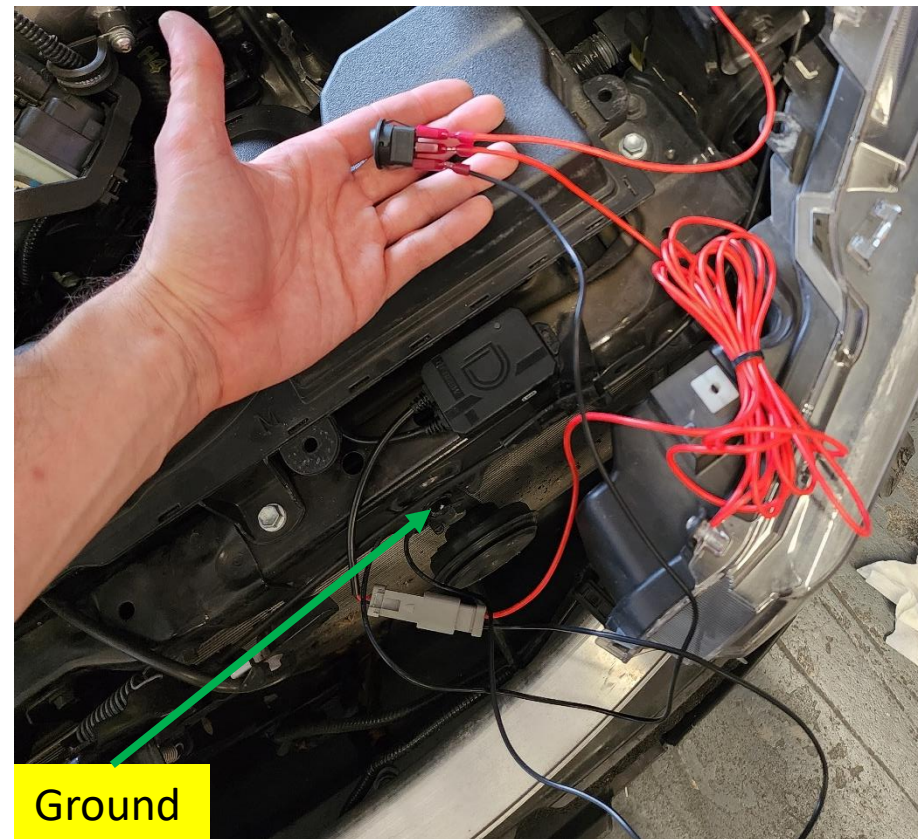
Controller Location

Clean the surface with a dry cloth and use the provided double-sided tape to adhere the Diode Dynamics controller to the shown location. Connect the LED strip to one of the controller ports (**line up the arrows on the connectors!**), making sure to route the cables behind the “legs” of the stock intake duct. The other 3 ports can accept any Diode Dynamics lighting strip for underglow or underhood lighting (sold separately). Connect the grey pigtail connector.



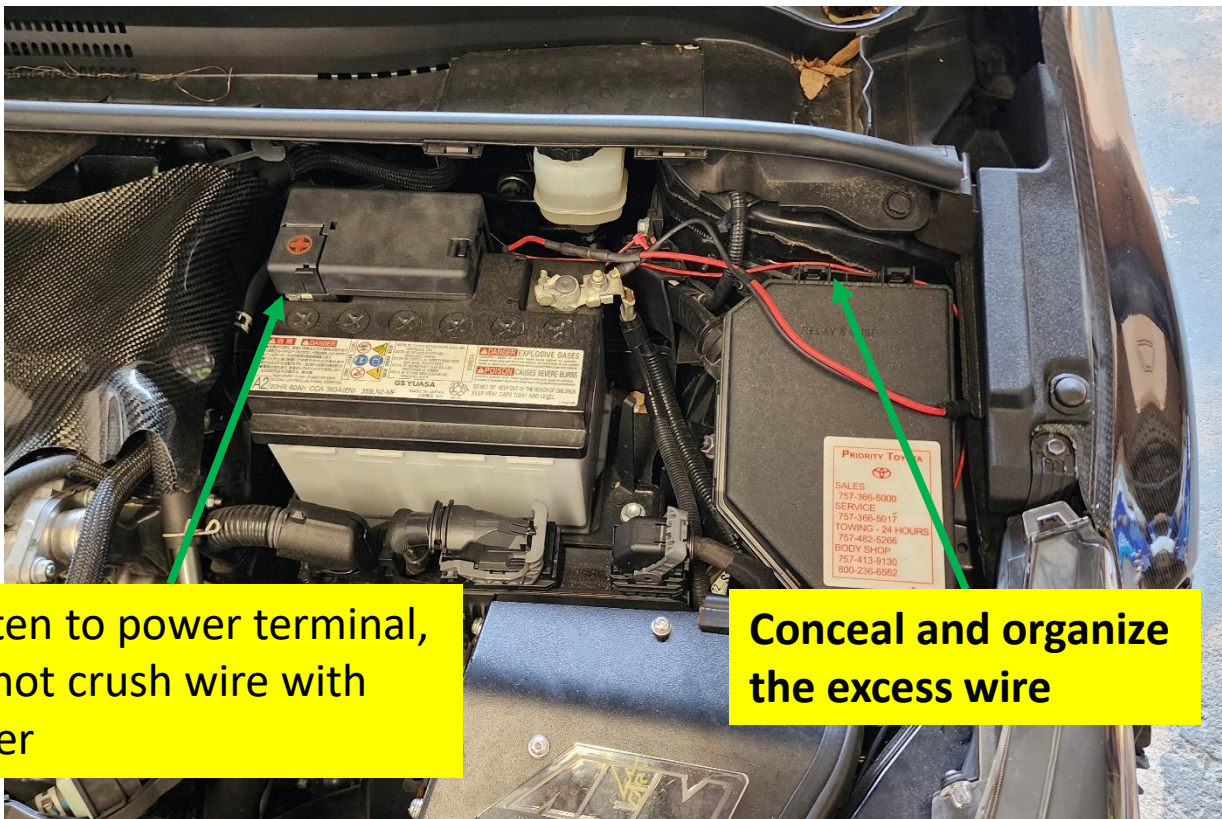
Big Mouth Wiring

Follow the wiring harness schematic (slide 8) to properly hook up the switch. Ground both black wires at the bolt that secures the horn. Bundle the excess wire as shown and reserve ~30" of red wire for the next connection to the battery. Use zip ties to secure the toggle switch in an accessible area that you see fit.



Big Mouth Wiring

Use the car battery to supply power to the Lit Kit. Undo the nut located on the positive terminal of the battery and fasten the power cable to it as shown. Take care to avoid damaging the wire when reinstalling the terminal cover. Use any leftover zip ties and cable clips to organize and conceal any excess wire.

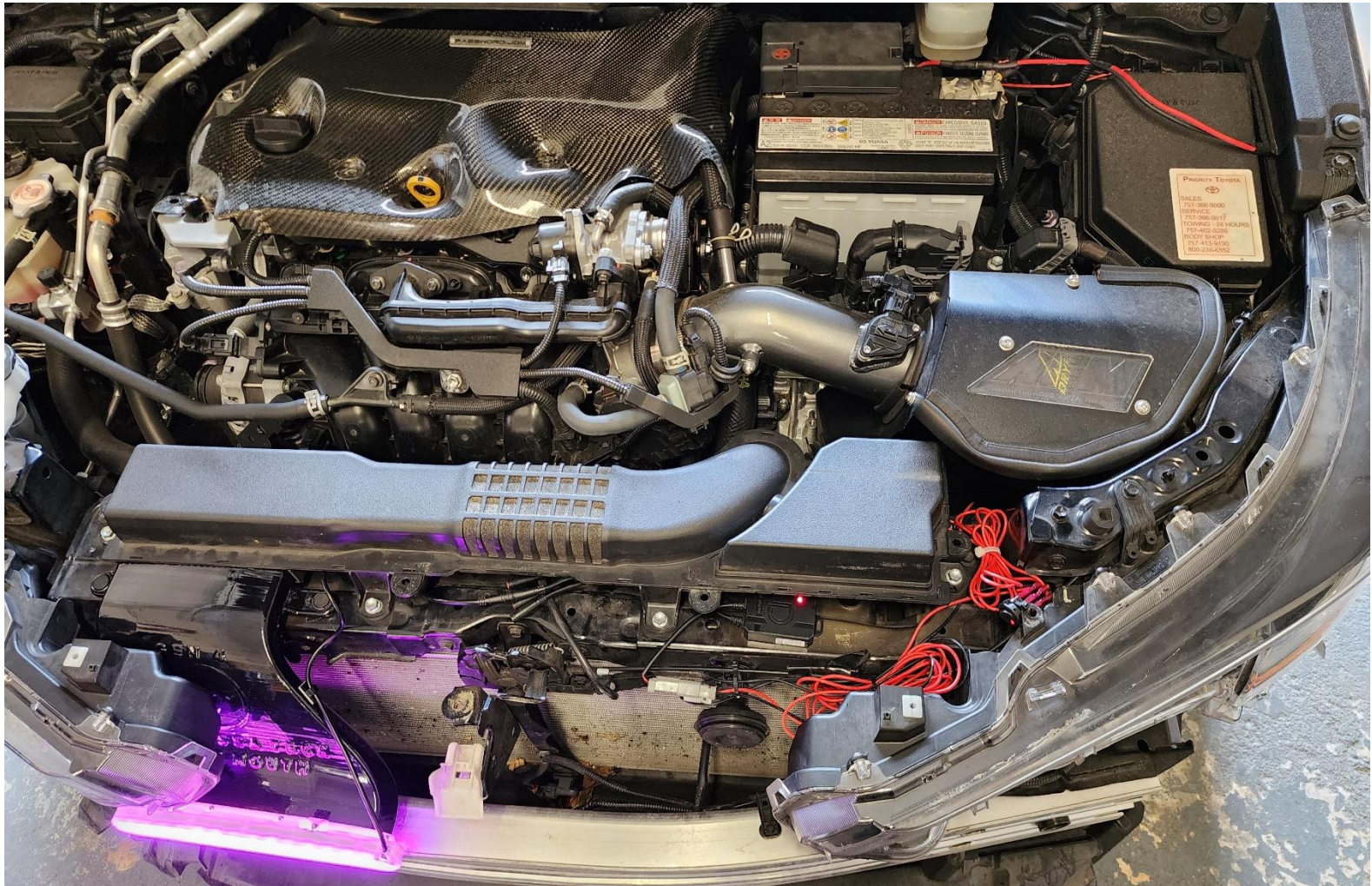


Fasten to power terminal,
do not crush wire with
cover

Conceal and organize
the excess wire

Final Overview

Use the remaining zip ties and cable clips keep wiring tidy and free from strain.



Phone App

Download the Diode Dynamics app and connect via Bluetooth.

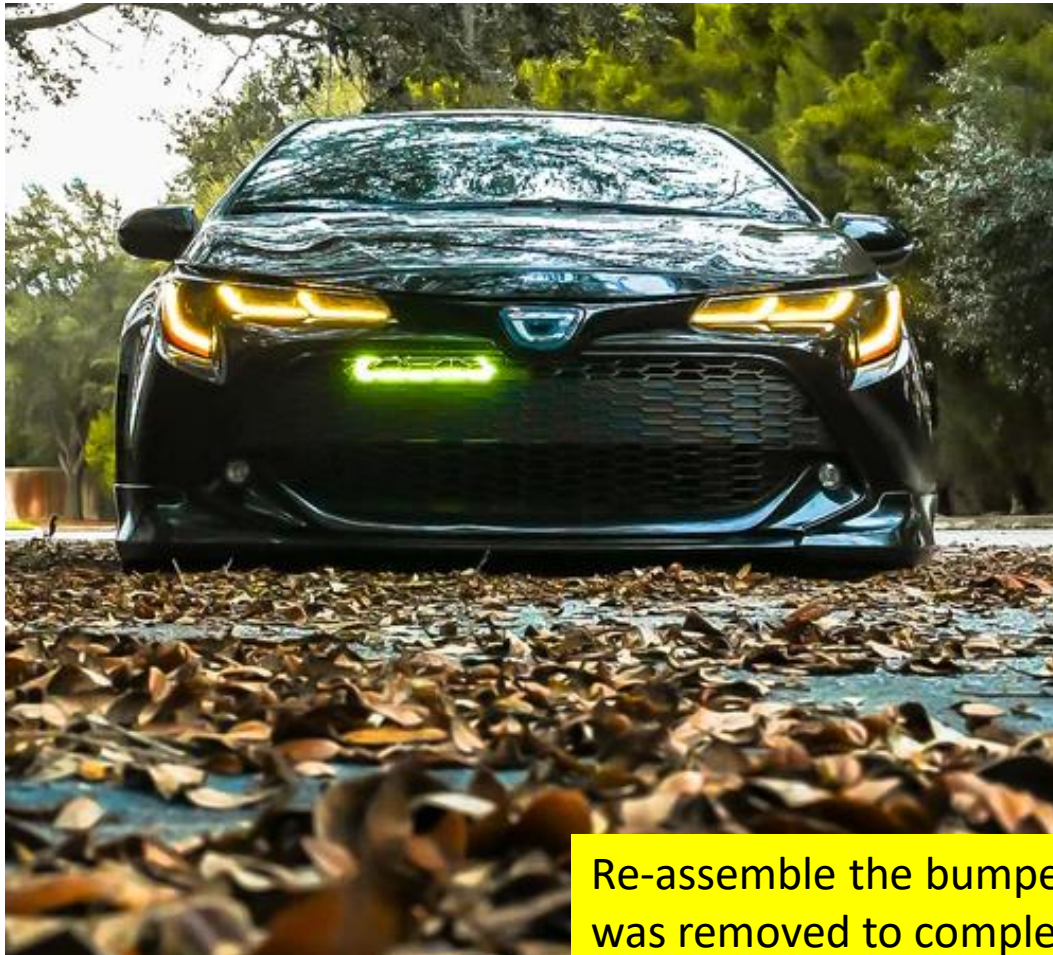
How to connect to the app:

1. After installing the app from the app store, open the app on your device.
2. Cycle the power to the Bluetooth controller by unplugging it and plugging it back in or flick the power switch and wait a few seconds, then turn it back on.
3. Wait for the app to detect the controller, it will pop up on the app screen as a Bluetooth controller. If necessary, cycle the power once more to refresh the controller.
4. Once the controller shows up on the app, click it and connect. You have 30 seconds to select the controller once it shows up on the app. After 30 second you will need to refresh again to detect the controller again.
5. Note that if you mounted your controller behind a lot of metal components, this may degrade the signal and range.



Final Assembly Review

Review the install and make sure nothing is binding or causing any preload on any parts, loosen and retighten if adjustment is necessary.



Re-assemble the bumper the same way it was removed to complete installation.