

# Ethan 4 in. center-to-center lip pull



Satin Brass - RL063248



Matte Black - RL063255



Satin Nickel - RL063231

## SPECIFICATIONS

### DIMENSIONS

Center to center: 4 in. **(A)**

Overall length: 6 in. **(B)**

Projection: 1.5 in.

Height: 0.88 in.

Weight: 0.24 lbs.

### INSTALLATION

#6 1/2 in. wood screws included

### WARRANTY

Lifetime Guarantee

### THE ETHAN COLLECTION INCLUDES:

1 1/2 in. center-to-center pull

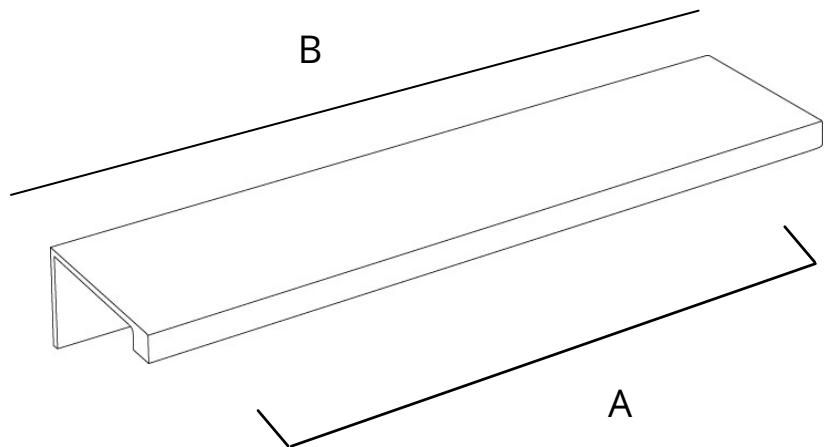
3 in. center-to-center pull

4 in. center-to-center pull

1 5/8 in. knob

1 1/4 in. knob

All offered in matte black, satin brass, and satin nickel



# Flynn 3 1/2 in. center-to-center pull



Satin Brass - RL062678



Chrome - RL062692



Satin Nickel - RL062661



Matte Black - RL062685

## SPECIFICATIONS

### DIMENSIONS

Center to Center: 3.5 in. **(A)**

Overall length: 5.5 in. **(B)**

Projection: 1.13 in.

Height: 0.50 in.

Weight: 0.34 lbs.

### INSTALLATION

#8-32 1 in. & 1.5 in. screws included

### WARRANTY

Lifetime Guarantee

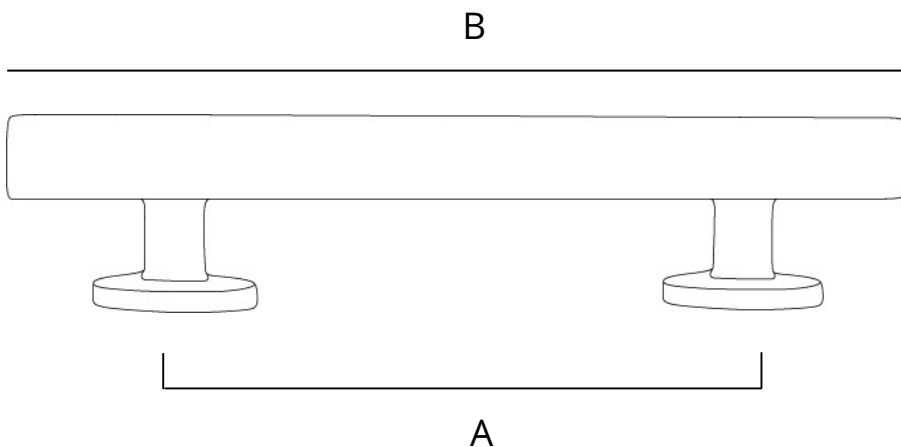
### THE FLYNN COLLECTION INCLUDES:

1 7/8 in. knob

3 1/2 in. center-to-center pull

5 1/2 in. center-to-center pull

All offered in matte black, satin brass, satin nickel, and chrome



# Vail 2 in. bar knob



Satin Nickel - RL062005



Matte Black - RL062500



Chrome - RL062517



Satin Brass - RL062111

## SPECIFICATIONS

### DIMENSIONS

Center to center: single bore

Overall length: 2 in. **(A)**

Projection: 1.38 in. **(B)**

Height: 0.38 in.

Weight: 0.11 lbs.

### INSTALLATION

#8-32 1 in. & 1.5 in. screws included

### WARRANTY

Lifetime Guarantee

### THE VAIL COLLECTION INCLUDES:

2 in. knob

4 in. center-to-center pull

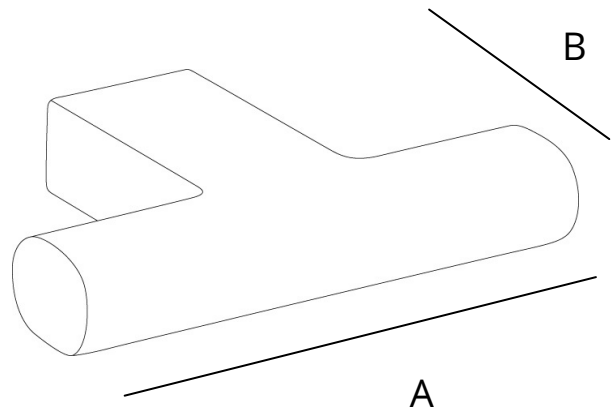
6 in. center-to-center pull

8 in. center-to-center pull

10 in. center-to-center pull

12 in. center-to-center pull

All offered in matte black, satin brass, satin nickel, and chrome



# Kent Knurled 7 in. center-to-center pull



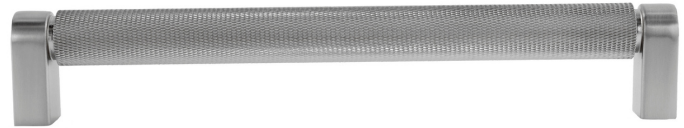
Satin Brass - RL063125



Black Nickel - RL063120



Matte Black - RL063132



Satin Nickel - RL063118

## SPECIFICATIONS

### DIMENSIONS

Center to center: 7 in. **(A)**

Overall length: 7.41 in. **(B)**

Projection: 1.28 in.

Height: 0.63 in.

Weight: 0.31 lbs.

### INSTALLATION

#8-32 1 in. & 1.5 in. screws included

### WARRANTY

Lifetime Guarantee

### THE KENT COLLECTION INCLUDES:

1 1/8 in. knob

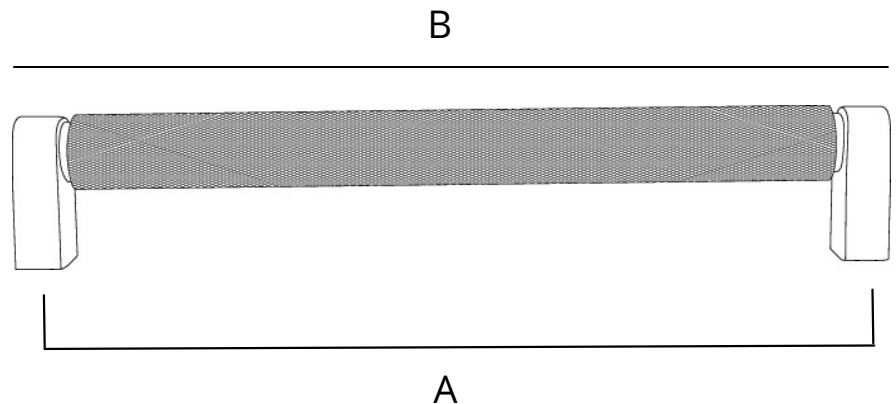
1 3/8 in. knob

4 in. center-to-center pull

7 in. center-to-center pull

12 in. center-to-center pull

All offered in matte black, satin brass, black nickel, and satin nickel





# Mason 6 ¼ in. center-to-center pull



Oil Rubbed Bronze - RL063533



Satin Brass - RL063555



Polished Nickel - RL063527



Matte Black - RL063547



Satin Nickel - RL063520

## SPECIFICATIONS

### DIMENSIONS

Center to center: 6.25 in. **(A)**

Overall length: 7 in. **(B)**

Projection: 1.22 in.

Height: 0.75 in.

Weight: 0.26 lbs.

### INSTALLATION

#8-32 1 in. & 1.5 in. screws included

### WARRANTY

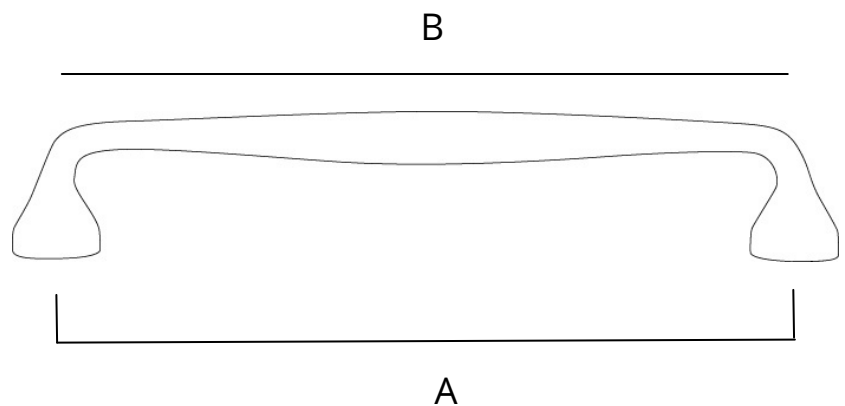
Lifetime Guarantee

### THE MASON COLLECTION INCLUDES:

4 ¼ in. center-to-center pull

6 ¼ in. center-to-center pull

All offered in matte black, satin nickel, satin brass, polished nickel, and oil rubbed bronze



# Mason 4 ¼ in. center-to-center pull



Oil Rubbed Bronze - RL063495



Satin Brass - RL063514



Polished Nickel - RL063490



Matte Black - RL063502



Satin Nickel - RL063482

## SPECIFICATIONS

### DIMENSIONS

Center to center: 4.25 in. **(A)**

Overall length: 5 in. **(B)**

Projection: 1.22 in.

Height: 0.75 in.

Weight: 0.18 lbs.

### INSTALLATION

#8-32 1 in. & 1.5 in. screws included

### WARRANTY

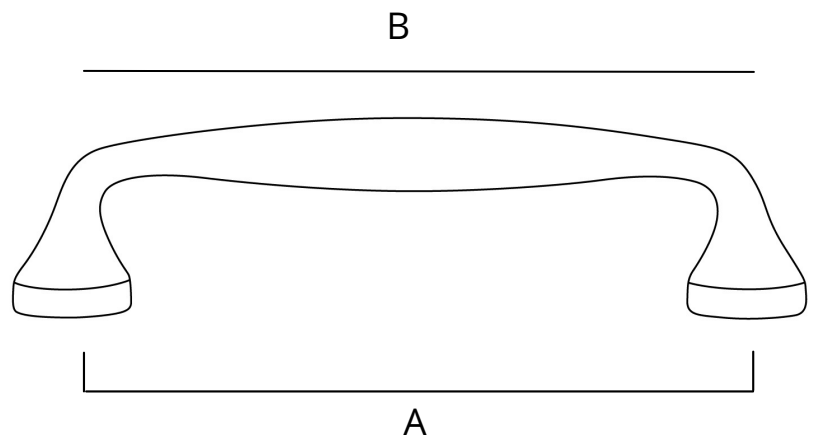
Lifetime Guarantee

### THE MASON COLLECTION INCLUDES:

4 ¼ in. center-to-center pull

6 ¼ in. center-to-center pull

All offered in matte black, satin nickel, satin brass, polished nickel, and oil rubbed bronze



# High Desert 3 ½ in. center-to-center pull



Matte Black - RL062142



Satin Nickel - RL061138



Oil Rubbed Bronze - RL061145



Satin Brass - RL062135

## SPECIFICATIONS

### DIMENSIONS

Center to center: 3.5 in. **(A)**

Overall length: 4.5 in. **(B)**

Projection: 1 in.

Height: 0.63 in.

Weight: 0.21 lbs.

### INSTALLATION

#8-32 1 in. & 1.5 in. screws included

### WARRANTY

Lifetime Guarantee

### THE HIGH DESERT COLLECTION INCLUDES:

1 in. knob

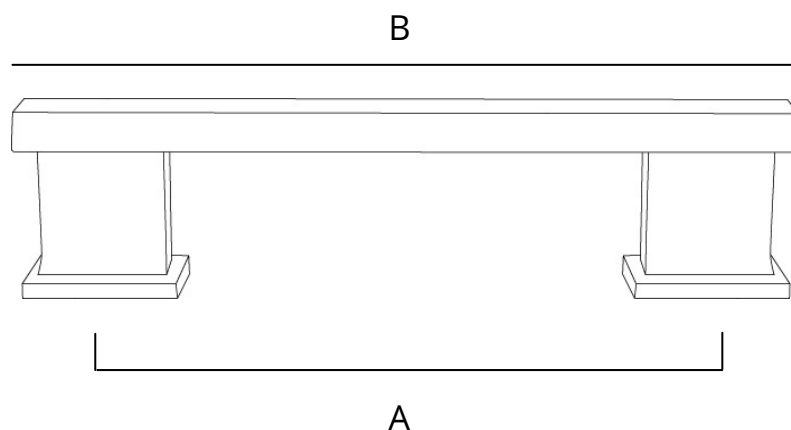
1 ¼ in. overall length tab pull

3 ½ in. center-to-center pull

4 ¾ in. center-to-center pull

All offered in matte black, satin brass, satin nickel, and oil rubbed bronze

\*Tab pull only offered in satin nickel and oil rubbed bronze



# Kent Knurled 1 3/8 in. knob



Matte Black - RL063347



Satin Brass - RL063330



Black Nickel - RL020069



Satin Nickel - RL063323

## SPECIFICATIONS

### DIMENSIONS

Center to center: single bore

Overall length: 1.375 in. **(A)**

Projection: 1.25 in. **(B)**

Weight: 0.087 lbs.

### INSTALLATION

#8-32 1 in. & 1.5 in. screws included

### WARRANTY

Lifetime Guarantee

### THE KENT KNURLED COLLECTION INCLUDES:

1 1/8 in. knob

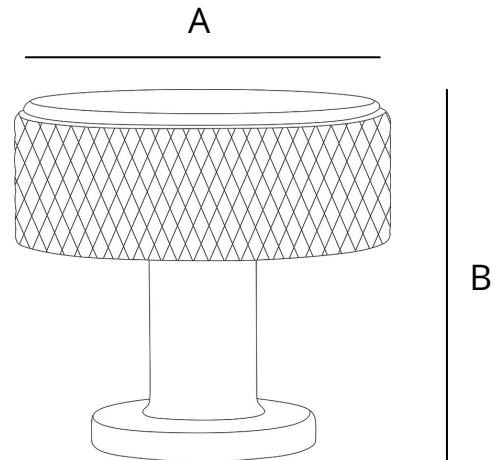
1 3/8 in. knob

4 in. pull

7 in. pull

12 in. pull

All offered in matte black, satin brass, satin nickel, and black nickel



# Vail 16 in. center-to-center appliance pull



Matte Black - RL063415



Satin Brass - RL063408



Chrome - RL063422



Satin Nickel- RL063392

## SPECIFICATIONS

### DIMENSIONS

Center to center: 16 in. **(A)**

Overall length: 16.75 in. **(B)**

Projection: 1.88 in.

Height: 0.75 in.

Weight: 2.31 lbs.

### INSTALLATION

#8-32 1 in. & 1.5 in. screws included

### WARRANTY

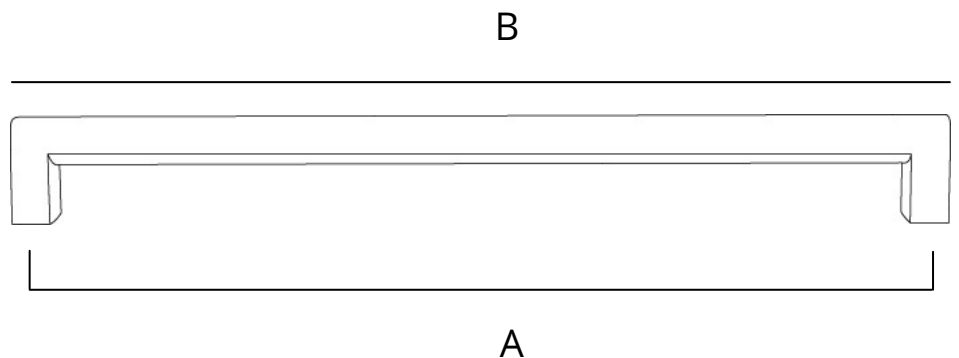
Lifetime Guarantee

### THE VAIL APPLIANCE COLLECTION INCLUDES:

12 in. center-to-center appliance pull

16 in. center-to-center appliance pull

All offered in matte black, satin brass, satin nickel, and chrome



# Vail 6 in. center-to-center pull



Chrome - RL062579



Satin Brass - RL062555



Satin Nickel - RL062548



Matte Black - RL062562

## SPECIFICATIONS

### DIMENSIONS

Center to center: 6 in. **(A)**

Overall length: 6.63 in. **(B)**

Projection: 1.38 in.

Height: 0.38 in.

Weight: 0.34 lbs.

### INSTALLATION

#8-32 1 in. & 1.5 in. screws included

### WARRANTY

Lifetime Guarantee

### THE VAIL COLLECTION INCLUDES:

2 in. knob

4 in. center-to-center pull

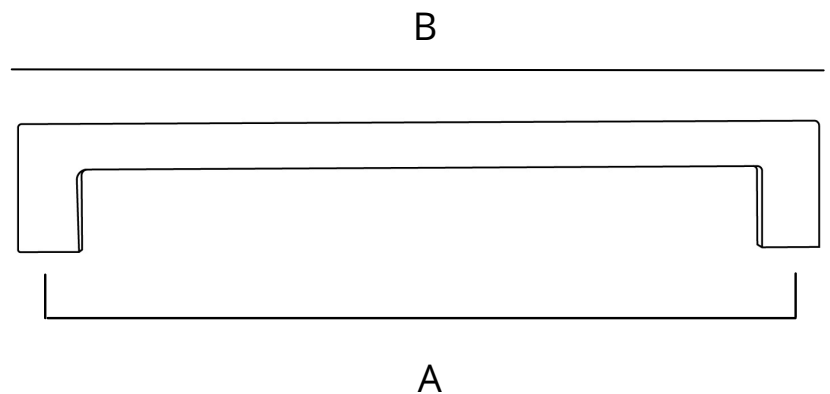
6 in. center-to-center pull

8 in. center-to-center pull

10 in. center-to-center pull

12 in. center-to-center pull

All offered in matte black, satin brass, satin nickel, and chrome



# Ethan 1 5/8 in. oversized round knob



Satin Nickel - RL061985



Matte Black - RL062067



Satin Brass - RL062050

## SPECIFICATIONS

### DIMENSIONS

Center to center: single bore

Diameter: 1.625 in. **(A)**

Projection: 0.75 in. **(B)**

Weight: 0.14 lbs.

### INSTALLATION

#6 1/2 in. wood screws included

### WARRANTY

Lifetime Guarantee

### THE ETHAN COLLECTION INCLUDES:

1 1/2 in. center-to-center pull

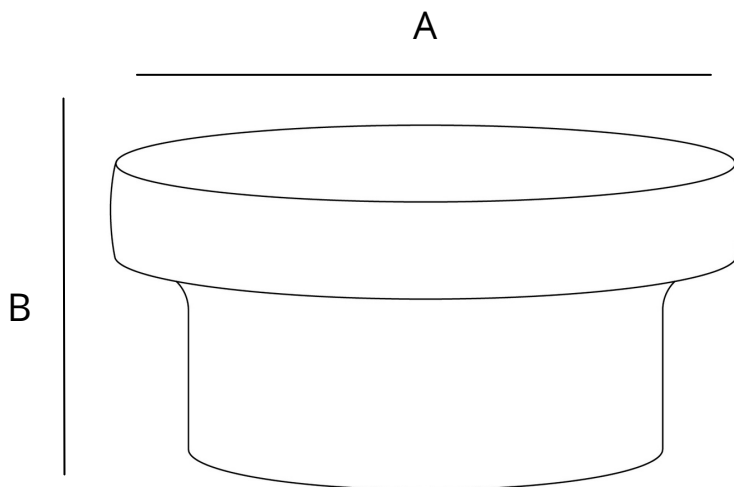
3 in. center-to-center pull

4 in. center-to-center pull

1 5/8 in. knob

1 1/4 in. knob

All offered in matte black, satin brass, and satin nickel



# Vail 4 in. center-to-center pull



Satin Nickel - RL061992



Matte Black - RL062524



Chrome - RL062531



Satin Brass - RL062128

## SPECIFICATIONS

### DIMENSIONS

Center to center: 4 in. **(A)**

Overall length: 4.63 in. **(B)**

Projection: 1.38 in.

Height: 0.38 in.

Weight: 0.26 lbs.

### INSTALLATION

#8-32 1 in. & 1.5 in. screws included

### WARRANTY

Lifetime Guarantee

### THE VAIL COLLECTION INCLUDES:

2 in. knob

4 in. center-to-center pull

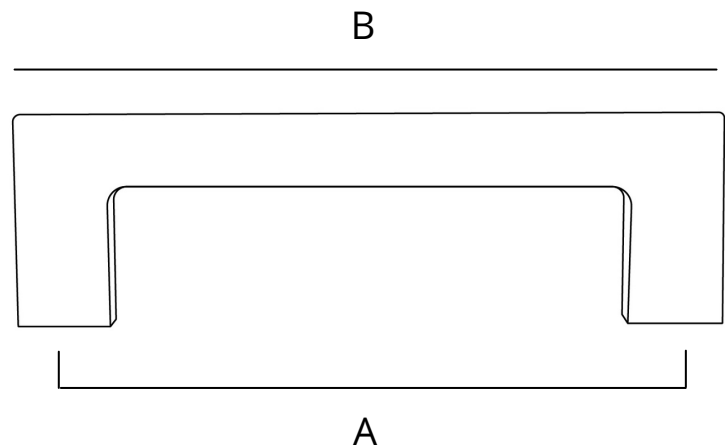
6 in. center-to-center pull

8 in. center-to-center pull

10 in. center-to-center pull

12 in. center-to-center pull

All offered in matte black, satin brass, satin nickel, and chrome





# Chelsey 8 in. center-to-center pull



Polished Nickel - RL062814



Satin Nickel - RL062791



Satin Brass - RL062807



Matte Black - RL062821

## SPECIFICATIONS

### DIMENSIONS

Center to center: 8 in. **(A)**

Overall length: 8.75 in. **(B)**

Projection: 1 in.

Height: 0.63 in.

Weight: 0.34 lbs.

### INSTALLATION

#8-32 1 in. & 1.5 in. screws included

### WARRANTY

Lifetime Guarantee

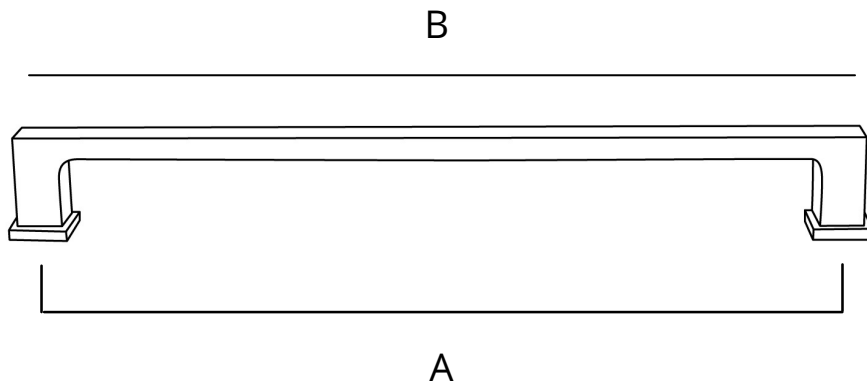
### THE CHELSEY COLLECTION INCLUDES:

4 in. center-to-center pull

8 in. center-to-center pull

12 in. center-to-center pull

All offered in matte black, satin brass, and satin nickel, polished nickel



# Chelsey 4 in. center-to-center pull



Satin Brass - RL062418



Polished Nickel - RL061749



Satin Nickel - RL061732



Matte Black - RL062784

## SPECIFICATIONS

### DIMENSIONS

Center to center: 4 in. **(A)**

Overall length: 4.75 in. **(B)**

Projection: 1 in.

Height: 0.63 in.

Weight: 0.22 lbs.

### INSTALLATION

#8-32 1 in. & 1.5 in. screws included

### WARRANTY

Lifetime Guarantee

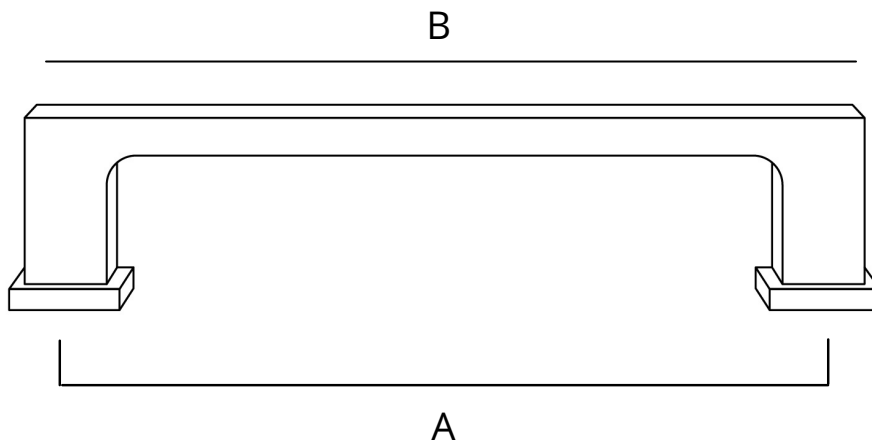
### THE CHELSEY COLLECTION INCLUDES:

4 in. center-to-center pull

8 in. center-to-center pull

12 in. center-to-center pull

All offered in matte black, satin brass, and satin nickel, polished nickel



# Chelsey 12 in. center-to-center pull



Satin Brass - RL062845



Polished Nickel - RL062852



Satin Nickel - RL062838



Matte Black - RL062869

## SPECIFICATIONS

### DIMENSIONS

Center to center: 12 in. **(A)**

Overall length: 12.75 in. **(B)**

Projection: 1 in.

Height: 0.63 in.

Weight: 0.46 lbs.

### WARRANTY

Lifetime Guarantee

### INSTALLATION

#8-32 1 in. & 1.5 in. screws included

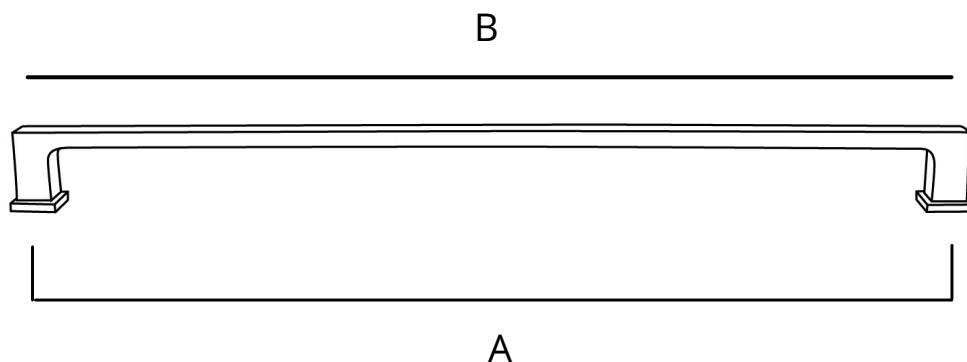
### THE CHELSEY COLLECTION INCLUDES:

4 in. center-to-center pull

8 in. center-to-center pull

12 in. center-to-center pull

All offered in matte black, satin brass, and satin nickel, polished nickel



# Vail 8 in. center-to-center pull



Satin Nickel - RL062586



Satin Brass - RL062593



Chrome - RL062616



Matte Black - RL062609

## SPECIFICATIONS

### DIMENSIONS

Center to center: 8 in. **(A)**

Overall length: 8.63 in. **(B)**

Projection: 1.38 in.

Height: 0.38 in.

Weight: 0.41 lbs.

### INSTALLATION

#8-32 1 in. & 1.5 in. screws included

### WARRANTY

Lifetime Guarantee

### THE VAIL COLLECTION INCLUDES:

2 in. knob

4 in. center-to-center pull

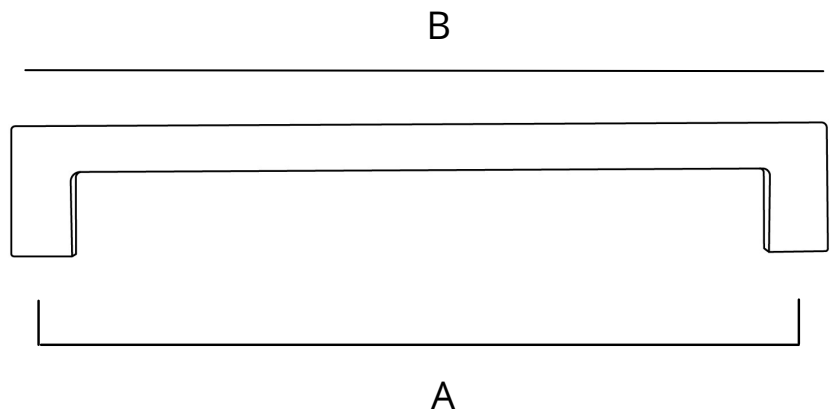
6 in. center-to-center pull

8 in. center-to-center pull

10 in. center-to-center pull

12 in. center-to-center pull

All offered in matte black, satin brass, satin nickel, and chrome



# Minted 1½ in. large knob



Satin Brass - RL060063



Polished Nickel - RL060056



Satin Nickel - RL060049

## SPECIFICATIONS

### DIMENSIONS

Center to center: single bore

Diameter: 1.5 in. **(A)**

Projection: 1.5 in. **(B)**

Weight: 0.012 lbs.

### WARRANTY

Lifetime Guarantee

### INSTALLATION

#8-32 1 in. & 1.5 in. screws included

### THE MINTED COLLECTION INCLUDES:

Minted 1.125 in. small knob

Minted 1.5 in. large knob

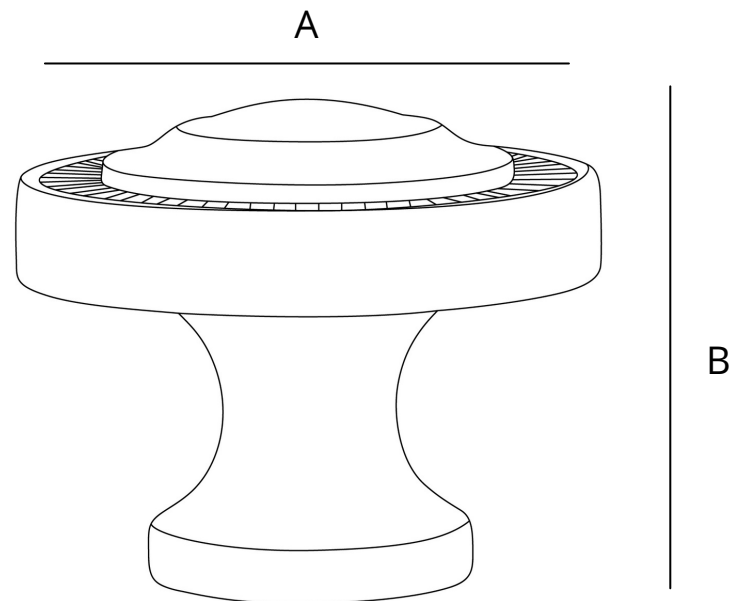
Minted 4 in. center-to-center pull

Minted 5 in. center-to-center pull

Minted 6 in. center-to-center pull

Minted coat hook

All offered in satin brass, and satin nickel, polished nickel



# Vail 10 in. center-to-center pull



Chrome - RL062654



Satin Nickel - RL062623



Satin Brass - RL062630



Matte Black - RL062647

## SPECIFICATIONS

### DIMENSIONS

Center to center: 10 in. **(A)**

Overall length: 10.63 in. **(B)**

Projection: 1.38 in.

Height: 0.38 in.

Weight: 0.48 lbs.

### INSTALLATION

#8-32 1 in. & 1.5 in. screws included

### WARRANTY

Lifetime Guarantee

### THE VAIL COLLECTION INCLUDES:

2 in. knob

4 in. center-to-center pull

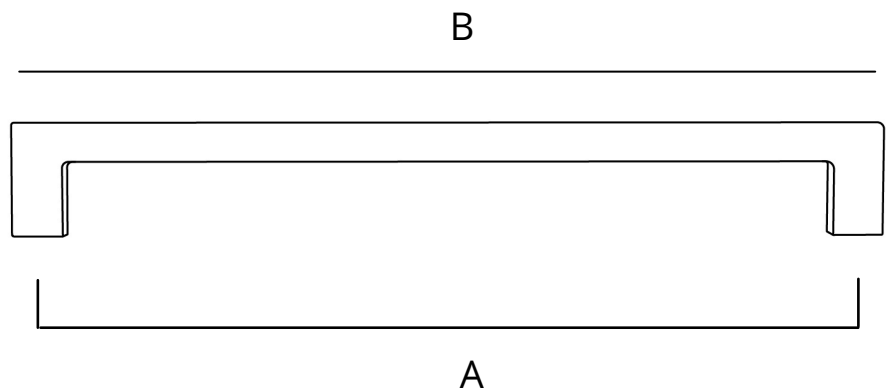
6 in. center-to-center pull

8 in. center-to-center pull

10 in. center-to-center pull

12 in. center-to-center pull

All offered in matte black, satin brass, satin nickel, and chrome



# Vail 12 in. center-to-center pull



Matte Black - RL063378



Chrome - RL063385



Satin Nickel - RL063354



Satin Brass - RL063361

## SPECIFICATIONS

### DIMENSIONS

Center to center: 12 in. **(A)**

Overall length: 12.63 in. **(B)**

Projection: 1.38 in.

Height: 0.38 in.

Weight: 0.79 lbs.

### INSTALLATION

#8-32 1 in. & 1.5 in. screws included

### WARRANTY

Lifetime Guarantee

### THE VAIL COLLECTION INCLUDES:

2 in. knob

4 in. center-to-center pull

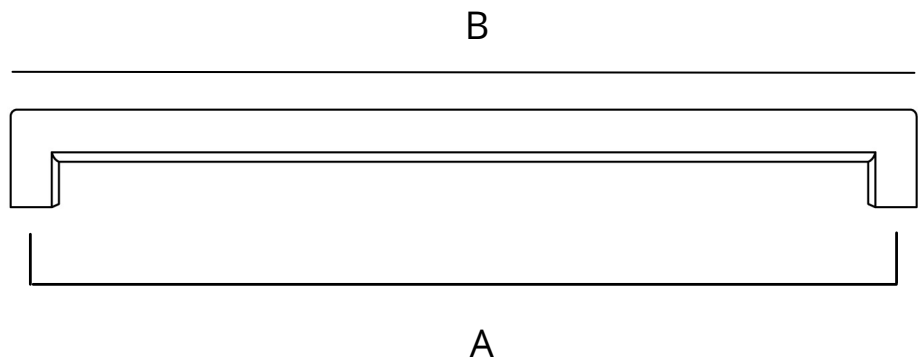
6 in. center-to-center pull

8 in. center-to-center pull

10 in. center-to-center pull

12 in. center-to-center pull

All offered in matte black, satin brass, satin nickel, and chrome



# Kent Knurled 4 in. center-to-center pull



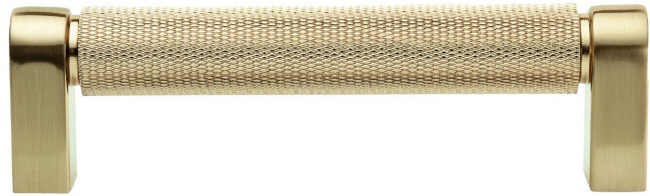
Matte Black - RL063101



Satin Nickel - RL063088



Black Nickel - RL063106



Satin Brass - RL063095

## SPECIFICATIONS

### DIMENSIONS

Center to center: 4 in. **(A)**

Overall length: 4.41 in. **(B)**

Projection: 1.28 in.

Height: 0.63 in.

Weight: 0.21 lbs.

### INSTALLATION

#8-32 1 in. & 1.5 in. screws included

### WARRANTY

Lifetime Guarantee

### THE KENT COLLECTION INCLUDES:

1 1/8 in. knob

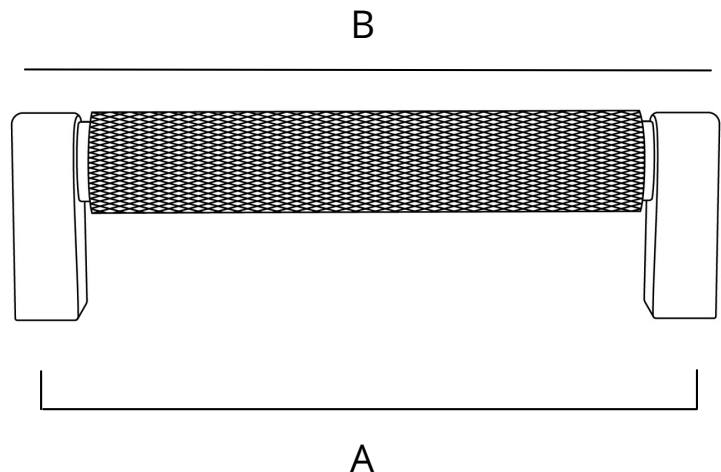
1 3/8 in. knob

4 in. center-to-center pull

7 in. center-to-center pull

12 in. center-to-center pull

All offered in matte black, satin brass, black nickel, and satin nickel





# Kent Knurled 12 in. center-to-center pull



Satin Brass - RL063156



Satin Nickel - RL063149



Black Nickel - RL063151



Matte Black - RL063163

## SPECIFICATIONS

### DIMENSIONS

Center to center: 12 in. **(A)**

Overall length: 12.41 in. **(B)**

Projection: 1.28 in.

Height: 0.63 in.

Weight: 0.43 lbs.

### INSTALLATION

#8-32 1 in. & 1.5 in. screws included

### WARRANTY

Lifetime Guarantee

### THE KENT COLLECTION INCLUDES:

1 1/8 in. knob

1 3/8 in. knob

4 in. center-to-center pull

7 in. center-to-center pull

12 in. center-to-center pull

All offered in matte black, satin brass, black nickel, and satin nickel



# Minted 5 in. center-to-center pull



Polished Nickel - RL060117



Satin Nickel - RL060100



Satin Brass - RL060124

## SPECIFICATIONS

### DIMENSIONS

Center to center: 5 in. **(A)**

Overall length: 6.13 in. **(B)**

Projection: 1.38 in.

Height: 1.13 in.

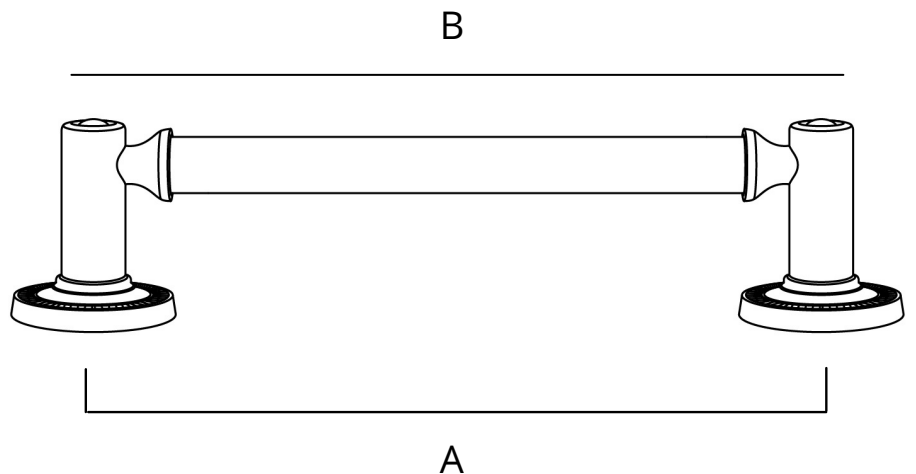
Weight: 0.28 lbs.

### WARRANTY

Lifetime Guarantee

### INSTALLATION

#8-32 1 in. & 1.5 in. screws included



### THE MINTED COLLECTION INCLUDES:

Minted 1 1/8 in. small knob

Minted 1 1/2 in. large knob

Minted 4 in. center-to-center pull

Minted 5 in. center-to-center pull

Minted 6 in. center-to-center pull

Minted coat hook

All offered in satin brass, and satin nickel, polished nickel

# Minted 4 in. center-to-center pull



Polished Nickel - RL060087



Satin Nickel - RL060070



Satin Brass - RL060094

## SPECIFICATIONS

### DIMENSIONS

Center to center: 4 in. **(A)**

Overall length: 5.13 in. **(B)**

Projection: 1.38 in.

Height: 1.13 in.

Weight: 0.24 lbs.

### WARRANTY

Lifetime Guarantee

### INSTALLATION

#8-32 1 in. & 1.5 in. screws included

### THE MINTED COLLECTION INCLUDES:

Minted 1 1/8 in. small knob

Minted 1 1/2 in. large knob

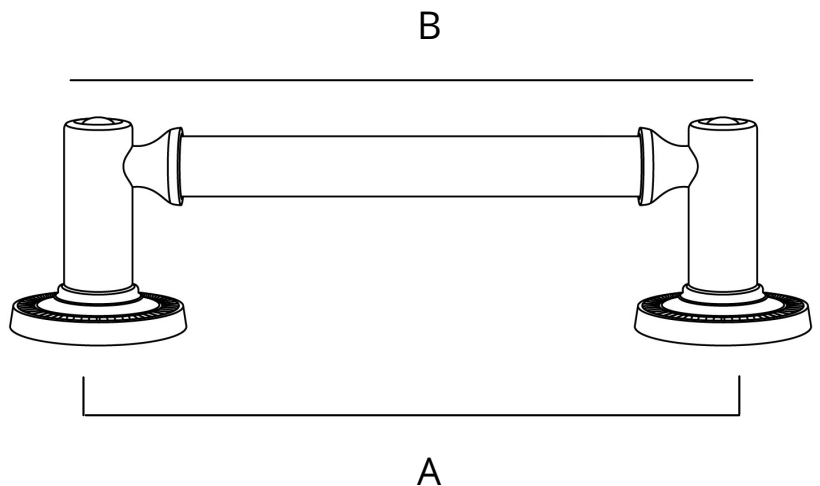
Minted 4 in. center-to-center pull

Minted 5 in. center-to-center pull

Minted 6 in. center-to-center pull

Minted coat hook

All offered in satin brass, and satin nickel, polished nickel



# Minted 6 in. center-to-center pull



Polished Nickel - RL060148



Satin Nickel - RL060131



Satin Brass - RL060155

## SPECIFICATIONS

### DIMENSIONS

Center to center: 6 in. **(A)**

Overall length: 7.13 in. **(B)**

Projection: 1.38 in.

Height: 1.13 in.

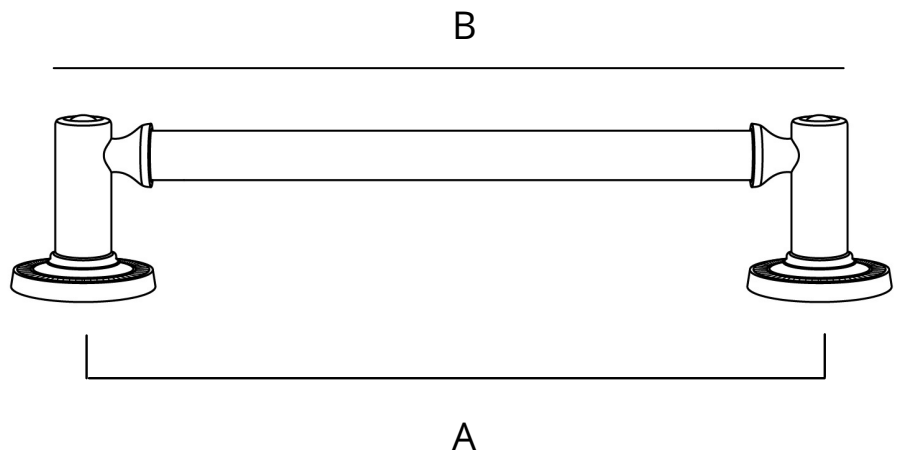
Weight: 0.31 lbs.

### WARRANTY

Lifetime Guarantee

### INSTALLATION

#8-32 1 in. & 1.5 in. screws included



### THE MINTED COLLECTION INCLUDES:

Minted 1 1/8 in. small knob

Minted 1 1/2 in. large knob

Minted 4 in. center-to-center pull

Minted 5 in. center-to-center pull

Minted 6 in. center-to-center pull

Minted coat hook

All offered in satin brass, and satin nickel, polished nickel

# Kent Knurled 1 1/8 in. knob



Black Nickel - RL020052



Matte Black - RL063316



Satin Nickel - RL063293



Satin Brass - RL063309

## SPECIFICATIONS

### DIMENSIONS

Center to center: single bore

Diameter: 1.125 in. **(A)**

Projection: 1.25 in. **(B)**

Weight: 0.063 lbs.

### INSTALLATION

#8-32 1 in. & 1.5 in. screws included

### WARRANTY

Lifetime Guarantee

### THE KENT KNURLED COLLECTION INCLUDES:

1 1/8 in. knob

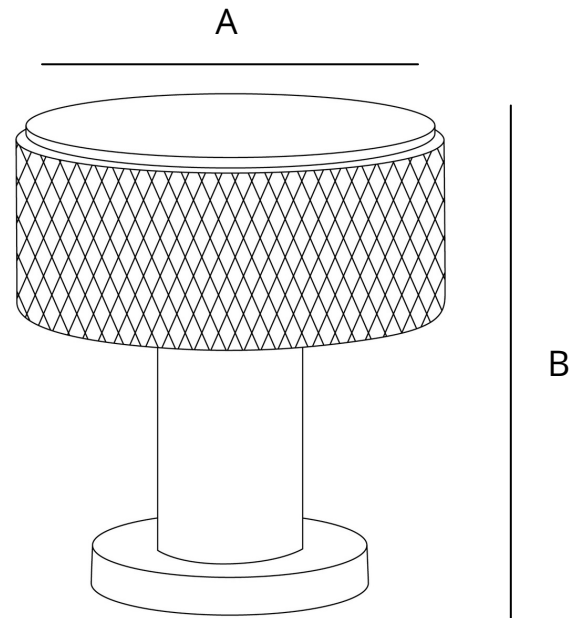
1 3/8 in. knob

4 in. center-to-center pull

7 in. center-to-center pull

12 in. center-to-center pull

All offered in matte black, satin brass, satin nickel, and black nickel



# Ethan 1 1/4 in. round knob



Matte Black - RL063286



Satin Nickel - RL063262



Satin Brass - RL063279

## SPECIFICATIONS

### DIMENSIONS

Center to center: single bore

Diameter: 1.25 in. **(A)**

Projection: 0.75 in. **(B)**

Weight: 0.94 lbs.

### INSTALLATION

#6 1/2 in. wood screws included

### WARRANTY

Lifetime Guarantee

### THE ETHAN COLLECTION INCLUDES:

1 1/2 in. center-to-center pull

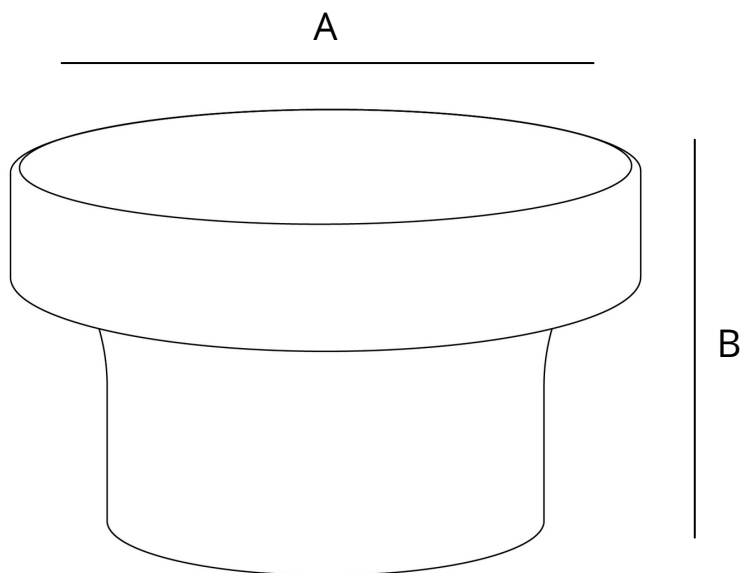
3 in. center-to-center pull

4 in. center-to-center pull

1 5/8 in. knob

1 1/4 in. knob

All offered in matte black, satin brass, and satin nickel



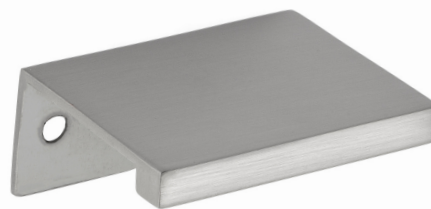
# Ethan 1 1/2 in. center-to-center lip pull



Matte Black - RL063224



Satin Brass - RL063217



Satin Nickel - RL063200

## SPECIFICATIONS

### DIMENSIONS

Center to center: 1 1/2 in. **(A)**

Overall length: 2 in. **(B)**

Projection: 1.5 in.

Height: 0.88 in.

Weight: 0.09 lbs.

### INSTALLATION

#6 1/2 in. wood screws included

### WARRANTY

Lifetime Guarantee

### THE ETHAN COLLECTION INCLUDES:

1 1/2 in. center-to-center pull

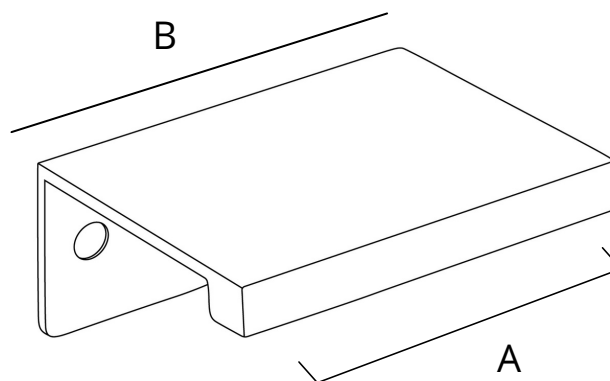
3 in. center-to-center pull

4 in. center-to-center pull

1 5/8 in. knob

1 1/4 in. knob

All offered in matte black, satin brass, and satin nickel



# Ethan 3 in. center-to-center lip pull



Satin Brass - RL062036



Satin Nickel - RL061978



Matte Black - RL062043

## SPECIFICATIONS

### DIMENSIONS

Center to center: 3 in. **(A)**

Overall length: 4 in. **(B)**

Projection: 1.5 in.

Height: 0.88 in.

Weight: 0.18 lbs.

### INSTALLATION

#6 1/2 in. wood screws included

### WARRANTY

Lifetime Guarantee

### THE ETHAN COLLECTION INCLUDES:

1 1/2 in. center-to-center pull

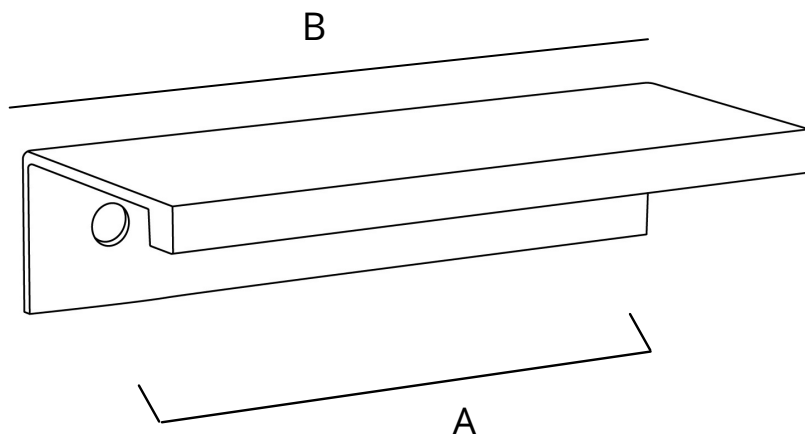
3 in. center-to-center pull

4 in. center-to-center pull

1 5/8 in. knob

1 1/4 in. knob

All offered in matte black, satin brass, and satin nickel





# High Desert 1 in. knob



Oil Rubbed Bronze - RL061961



Satin Brass- RL061954



Polished Nickel - RL061947



Satin Nickel - RL061930

## SPECIFICATIONS

### DIMENSIONS

Center to center: single bore

Diameter: 1 in. (A)

Projection: 1 in.

Weight: 0.11 lbs.

### INSTALLATION

#8-32 1 in. & 1.5 in. screws included

### WARRANTY

Lifetime Guarantee

### THE HIGH DESERT COLLECTION INCLUDES:

1 in. knob

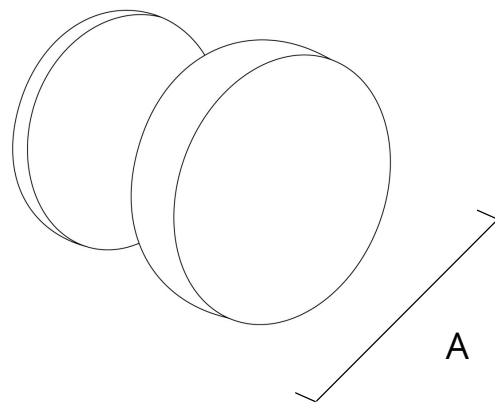
1 ¼ in. overall length tab pull

3 ½ in. center-to-center pull

4 ¾ in. center-to-center pull

All offered in matte black, satin brass, satin nickel, and oil rubbed bronze

\*Tab pull only offered in satin nickel and oil rubbed bronze



# High Desert 4 3/4 inch Pull



Satin Brass - RL063064



Oil Rubbed Bronze - RL063057



Satin Nickel - RL063040



Matte Black - RL063071

## SPECIFICATIONS

### DIMENSIONS

Center to center: 4.75 in (A)

Overall length: 5.75 in.(B)

Projection: 1.06 in.

Height: 0.63 in.

Weight: 0.23 lbs.

### INSTALLATION

#8-32 1 in. & 1.5 in. screws included

### WARRANTY

Lifetime Guarantee

### THE HIGH DESERT COLLECTION INCLUDES:

1 in. knob

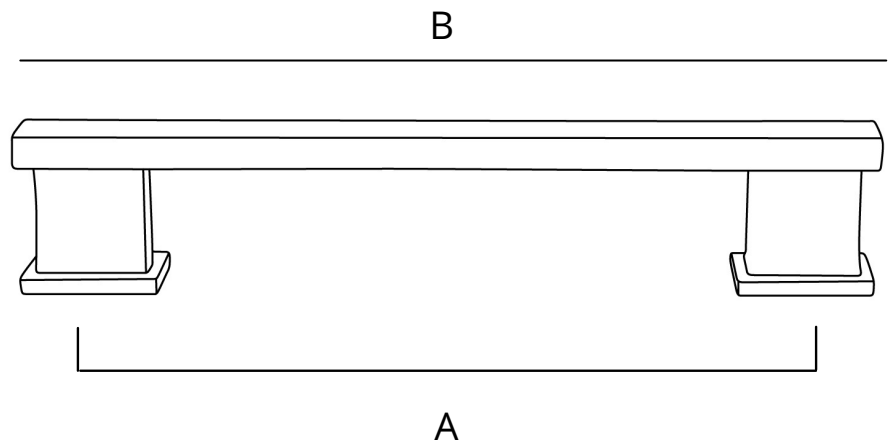
1 ¼ in. overall length tab pull

3 ½ in. center-to-center pull

4 ¾ in. center-to-center pull

All offered in matte black, satin brass, satin nickel, and oil rubbed bronze

\*Tab pull only offered in satin nickel and oil rubbed bronze



# Vail 12 in. Appliance Pull



Satin Brass - RL063380



Chrome - RL063373



Satin Nickel - RL063342



Matte Black - RL063359

## SPECIFICATIONS

### DIMENSIONS

Center to center: 12 in. **(A)**

Overall length: 12.75 in. **(B)**

Projection: 1.875 in.

Height: 0.75 in.

Weight: 1.75 lbs.

### INSTALLATION

#8-32 1 in. & 1.5 in. screws included

### WARRANTY

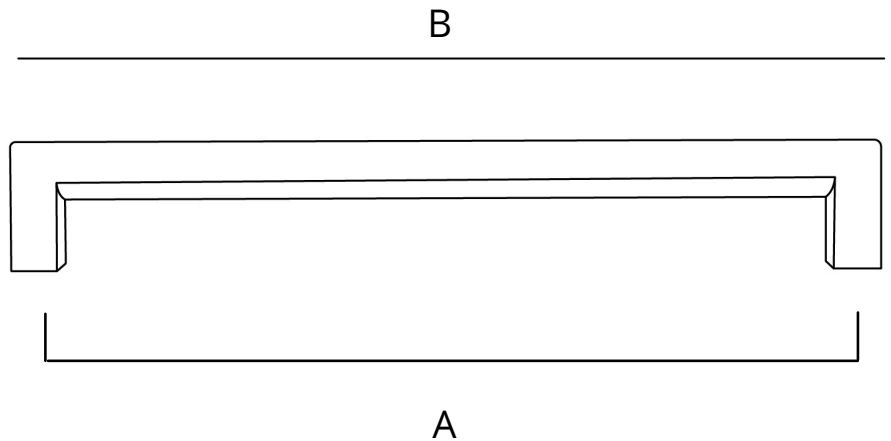
Lifetime Guarantee

### THE VAIL APPLIANCE COLLECTION INCLUDES:

12 in. center-to-center appliance pull

16 in. center-to-center appliance pull

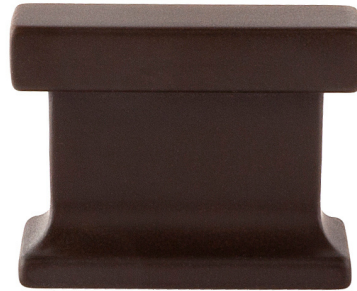
All offered in matte black, satin brass, satin nickel, and chrome



# High Desert Tab Pull



Satin Nickel - RL061114



Oil Rubbed Bronze - RL061121

## SPECIFICATIONS

### DIMENSIONS

Center to center: single bore **(A)**

Overall length: 1.25 in. **(B)**

Projection: 0.875 in.

Height: 0.625 in.

Weight: 0.0875 lbs.

### INSTALLATION

#8-32 1 in. & 1.5 in. screws included

### WARRANTY

Lifetime Guarantee

### THE HIGH DESERT COLLECTION INCLUDES:

1 in. knob

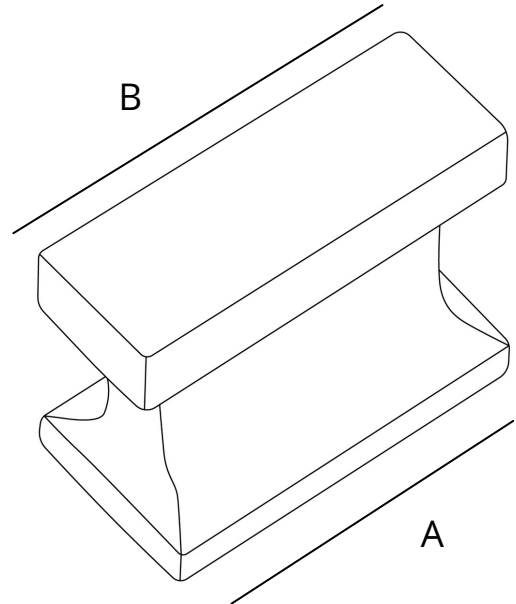
1 ¼ in. overall length tab pull

3 ½ in. center-to-center pull

4 ¾ in. center-to-center pull

All offered in matte black, satin brass, satin nickel, and oil rubbed bronze

\*Tab pull only offered in satin nickel and oil rubbed bronze



# Architectural 12 in. Appliance Pull



Satin Copper - RL063656



Satin Brass - RL063663



Polished Nickel - RL063687



Matte Black - RL063670



Satin Nickel - RL063649

## SPECIFICATIONS

### DIMENSIONS

Center to center: 12 in. **(A)**

Overall length: 12.75 in. **(B)**

Projection: 1.75 in.

Height: 1 in.

Weight: 1.87 lbs.

### INSTALLATION

#8-32 1 in. & 1.5 in. screws included

### WARRANTY

Lifetime Guarantee

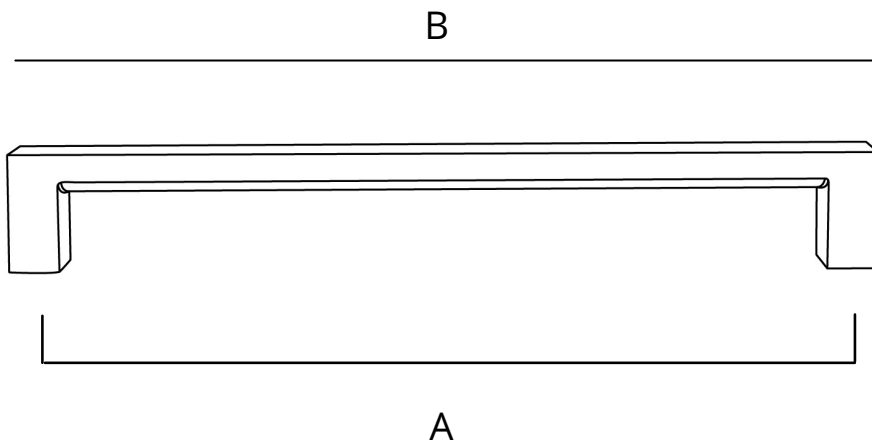
### THE ARCHITECTURAL APPLIANCE COLLECTION

#### INCLUDES:

12 in. center-to-center appliance pull

16 in. center-to-center appliance pull

All offered in matte black, satin brass, satin nickel, satin copper and polished nickel



# Lancaster round knob



Satin Brass- RL062425



Polished Nickel - RL060735



Satin Nickel - RL060339



Matte Black - RL062432

## SPECIFICATIONS

### DIMENSIONS

Center to center: single bore

Diameter: 1.125 in. **(A)**

Projection: 1 in.

Weight: 0.11 lbs.

### INSTALLATION

#8-32 1 in. & 1.5 in. screws included

### WARRANTY

Lifetime Guarantee

### THE LANCASTER COLLECTION INCLUDES:

1 in. finger pull

1 1/8 round knob

3 in. cup pull

3 3/4 in. center-to-center pull

