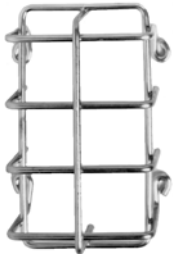


G Series

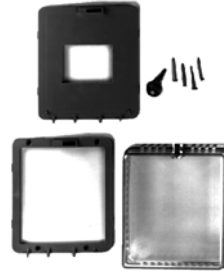
# Thermostat and Humidistat Guards



**GRD10-1R**  
Wire Guard



**GRD10A-601**  
Cast Aluminum Guard



**GRD10A-608**  
Large Clear Plastic Guard



**GRD10A-609**  
Rectangular Clear Plastic Guard

### Description

The G Series guards protect thermostats and humidistats from damage, vandalism, tampering, and unauthorized adjustment. They are available in plastic, cast aluminum, or wire construction.

### Features

- clear plastic guards have tumbler-type key locks
- GRD10A-608 and -609 include a mounting ring for mounting to a wall or flat surface
- plastic baseplate and plastic mounting ring available
- the baseplate mounts to a flat surface or to a single or double outlet box
- the mounting ring permits mounting over a thermostat or humidistat already installed

### Applications

Ideal for locations where locked protection is required, such as schools, warehouses, churches, hospitals, or offices.

### Selection Chart

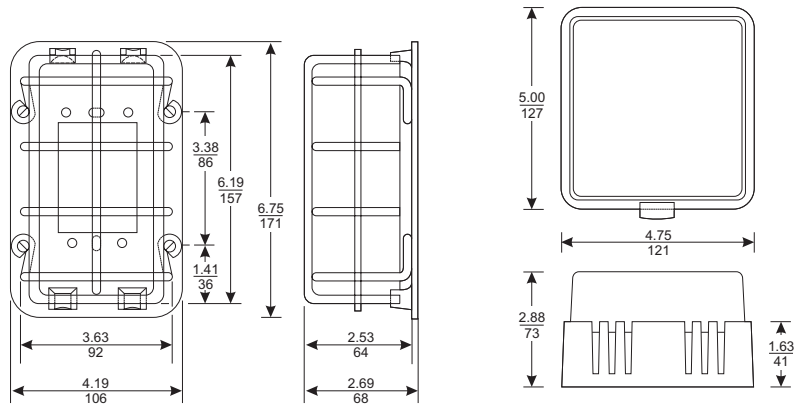
Code Number	Description	Thermostat or Humidistat Series Number				
		T22	T25	T26	T28 No Switches	T91
GRD10-1R	Wire guard only	■	—	■	—	■
GRD10A-600	Wire guard and baseplate	■	—	■	—	■
GRD10A-601	Aluminum guard and baseplate	■	—	■	■	■
GRD10A-606	Plastic guard with baseplate	■	■	—	■	■
GRD10A-608	Plastic guard with baseplate, mounting ring	■	■	■	■	■
GRD10A-609	Plastic guard with baseplate, mounting ring	■	■	■	■	■

### Repair Parts

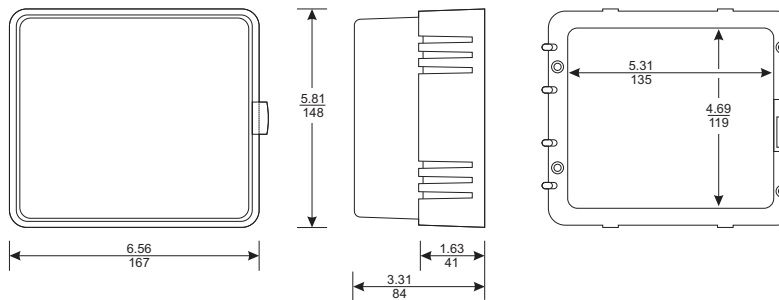
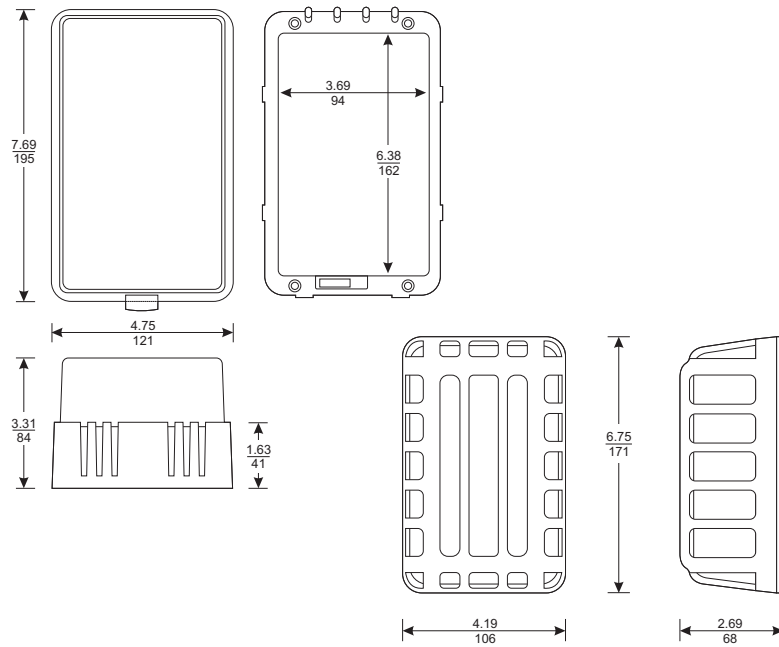
Replacement key **KEY12A-600** (set of two) is available.

## Thermostat and Humidistat Guards (Continued)

### Technical Specifications



grd10a\_dm.eps



grd10a\_dm2.eps

G Series Dimensions, in. (mm)