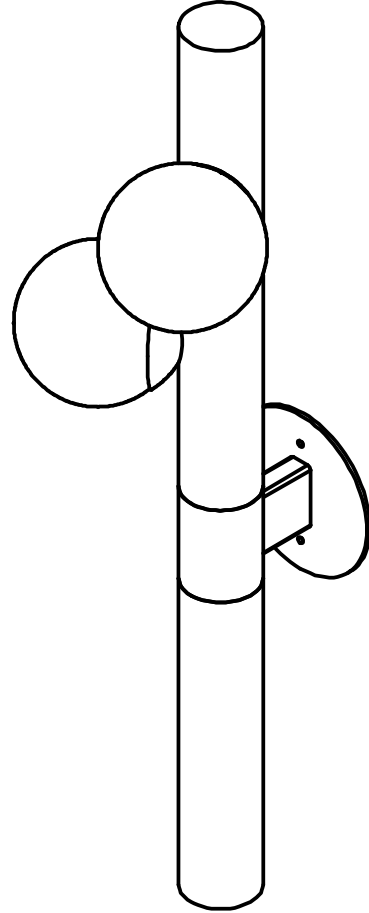


hollis+morris

**willow
sconce**

product installation + specifications



willow sconce

product code:
WILOsconce

materials:

- + solid wood
- + hand blown glass
- + metal

finish:

- + hardwax oil
- + powder coated or plated steel
- + stainless steel hardware

input:

- + 120V 50/60 Hz (Canada + US)

driver:

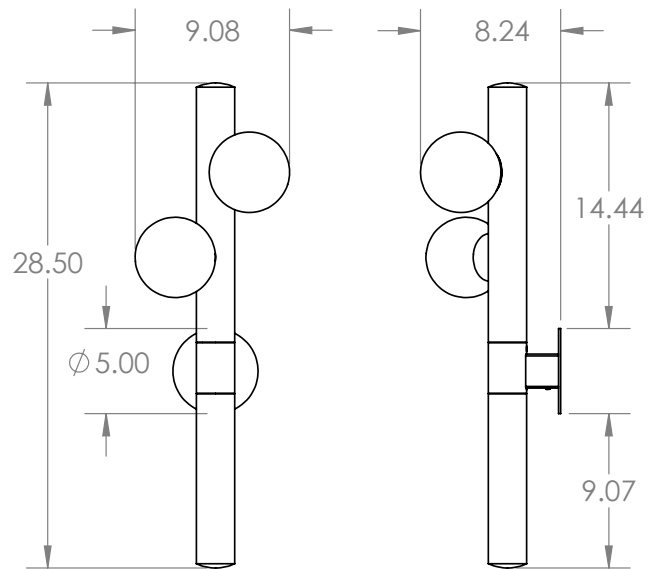
- + 24V phase dimmable driver
- + driver included with canopy
- + 277 VAC- 0-10V dimmable driver (upon request)

output:

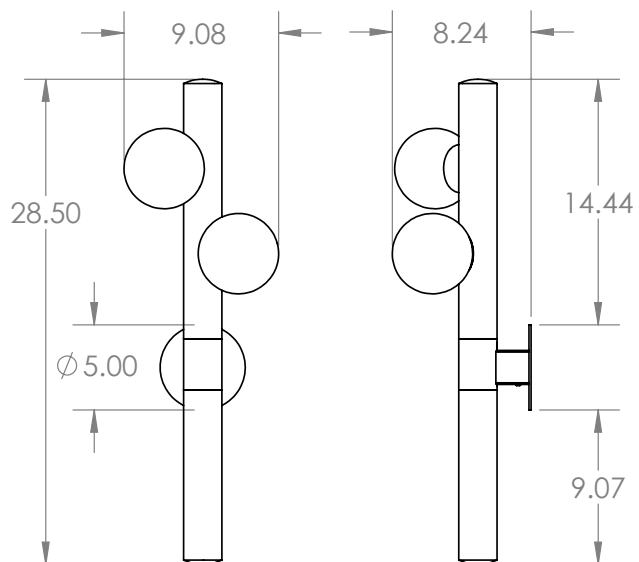
- + 4 W (2 W / bulb)
- + 240 lm (170 lm / bulb)
- + 3000K with CRI of 95 or higher

mounting:

- + junction box connection
- + single driver connection



Left



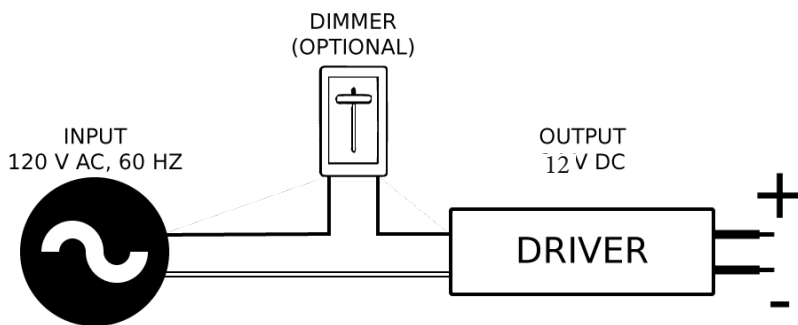
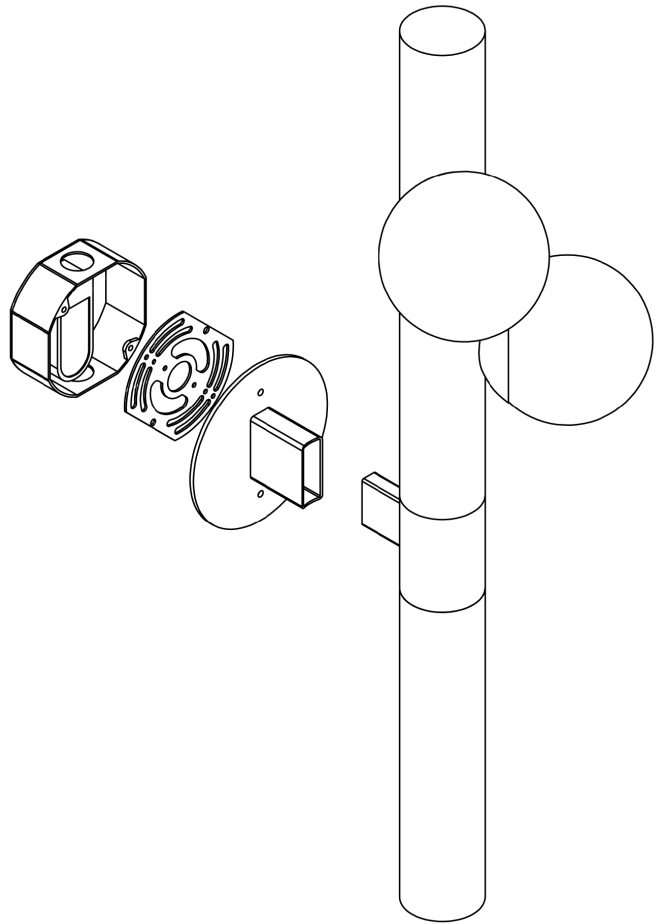
Right

certification:



hardware installation assembly

1. Connect the driver to the junction box using the adhesive tape applied to the back of the driver.
2. Place the fixture on the wall as intended and mark the fixture mounting point.
3. Feed the coax power cable through the universal junction plate so that it can be wired to the driver as shown in figure 1. Then have a certified electrician connect this driver to 120 V domestic power.
4. With the driver in the junction box, fasten the universal junction plate to the box with the round head 8-32 screws.
5. The fixture can now be mounted to the junction box plate using the flat head 8-32 screws.



COAX CABLE
coax cable requires
stripping of outer and
inner coatings to access
positive and negative
connection wires

