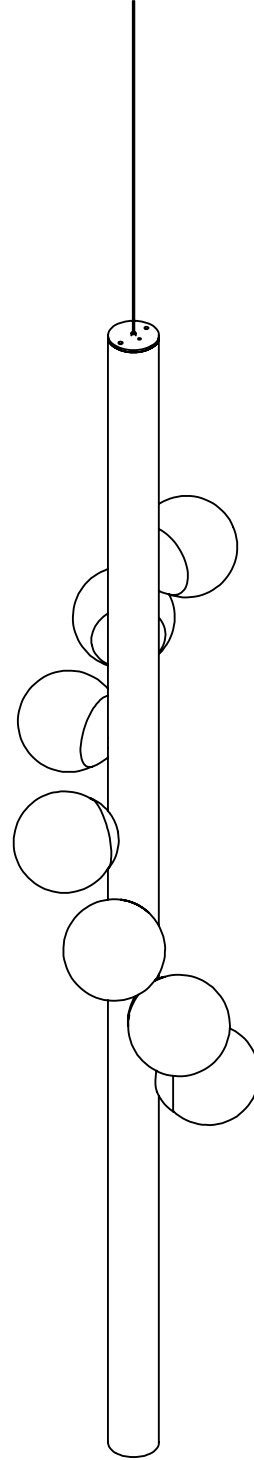


hollis+morris

**willow
pendant**

product installation + specifications



willow pendant

product code:

WILOvertical

materials:

- + solid wood
- + hand blown glass
- + metal
- + suspension hardware
- + 12v G4 LED light bulb

finish:

- + hardwax oil
- + powder coated or plated steel
- + stainless steel hardware

input:

- + 120V 50/60 Hz (Canada + US)

driver:

- + 12V phase dimmable driver
- + driver included with canopy
- + 277 VAC- 12VDC (upon request)

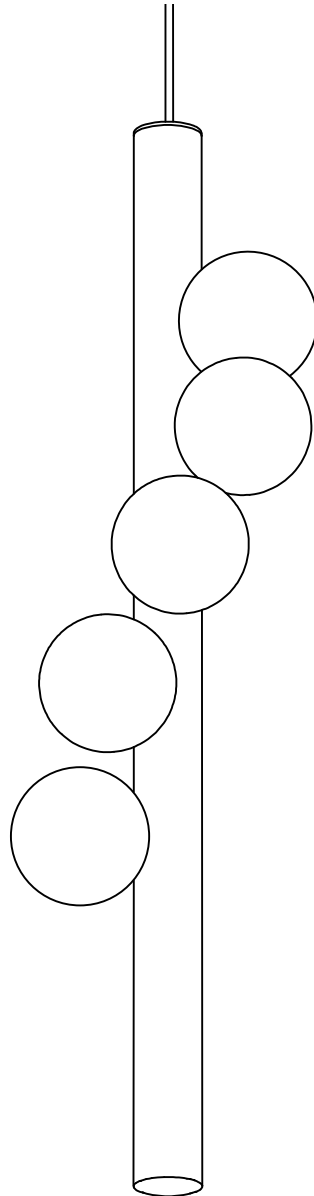
output:

- + 2 W / bulb
- + 3ft: 10 W, 5ft: 14 W
- + 170 lm / bulb
- + 3ft: 850 lm, 5ft: 1190 lm
- + 3000K with CRI of 95 or higher

suspension:

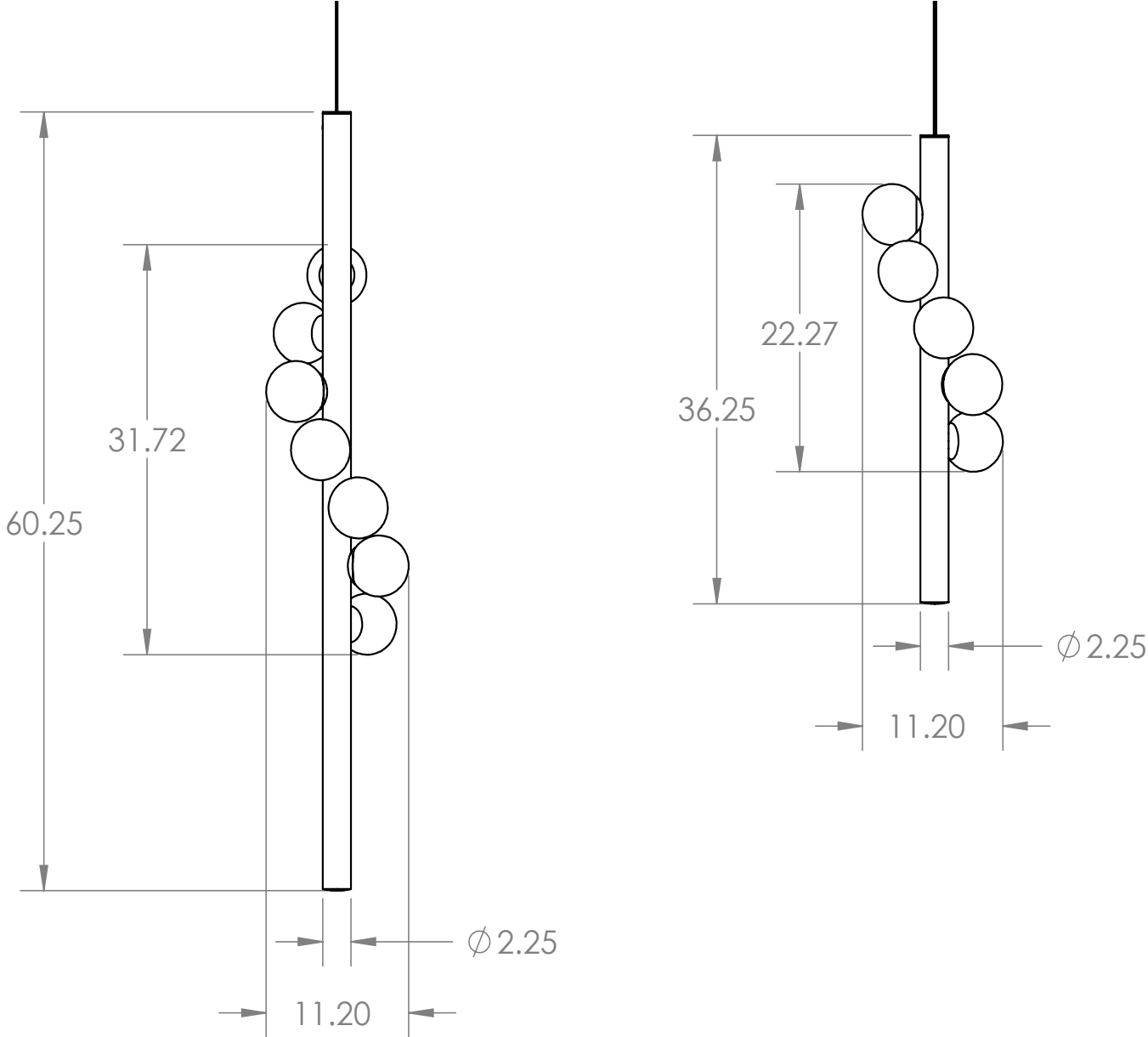
- + cord length: 10' standard
(custom lengths available)
- + 1-point suspension (per fixture)
- + single canopy connection

certification:

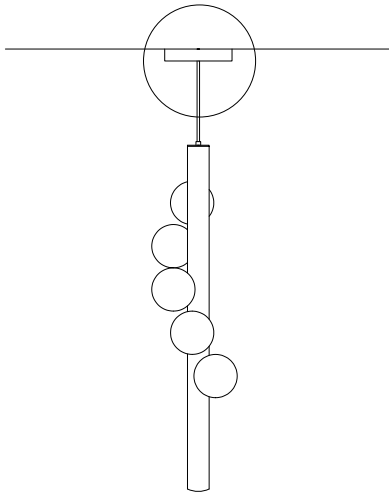


dimensions + installation

ELEVATION VIEW



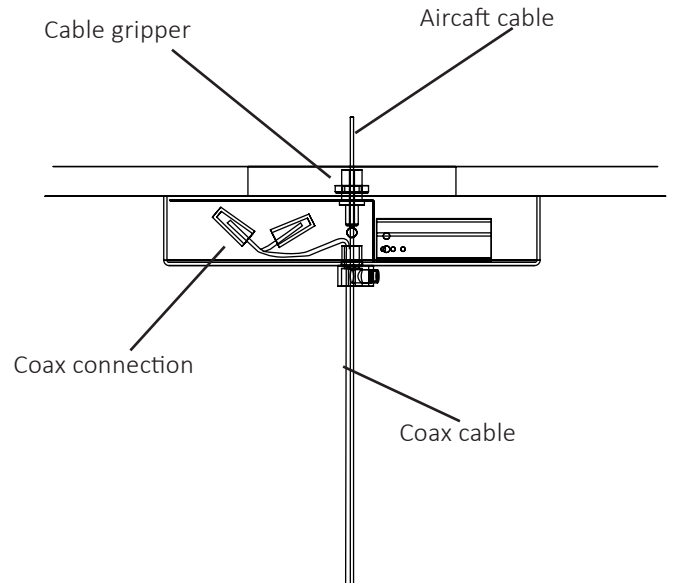
dimensions + installation



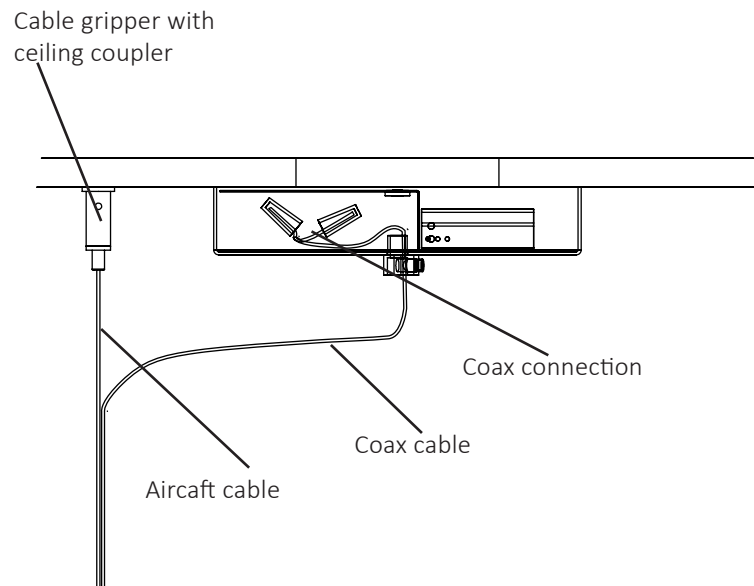
ELEVATION VIEW- CANOPY CONNECTION

1. Locate desired canopy location on ceiling & have a certified electrician supply and install to 120V power
2. Connect braided suspension cable from fixture to ceiling or canopy as illustrated on the right.
3. Feed insulated power line into canopy as illustrated on the right.
4. Connect +/- leads to 12V transformer inside canopy. ***
5. Secure all connections.
6. Adjust all cables to desired heights (standard x length max. = 120")

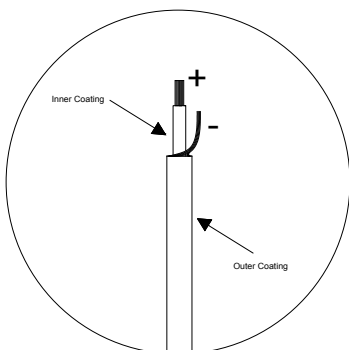
Option A - Support from canopy



Option B - Support from ceiling



*** COAX CABLE

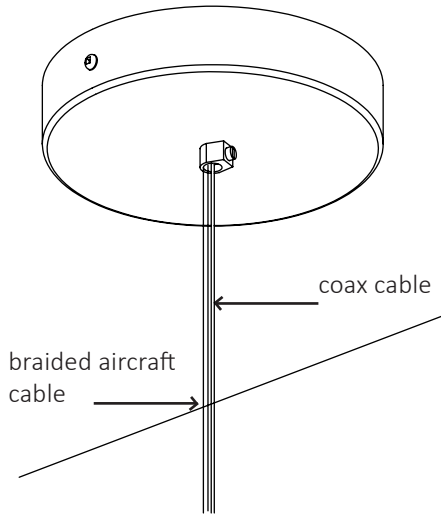


Coax cable requires stripping of outer and inner coatings to access positive and negative connection wires

dimensions + installation

SINGLE FIXTURE CANOPY CONNECTION

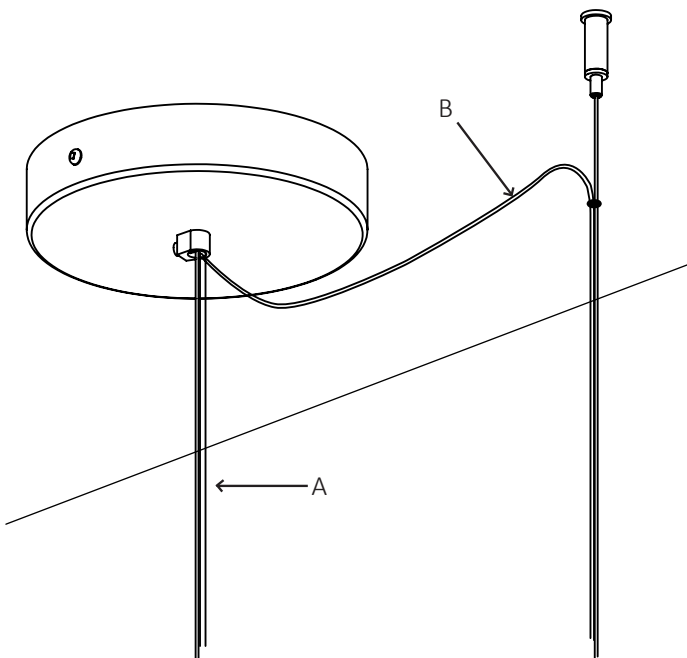
Coax runs into canopy



MULTIPLE FIXTURES CANOPY CONNECTION

A Coax runs into canopy

B Second coax runs up to ceiling and drops over to enter power feed canopy

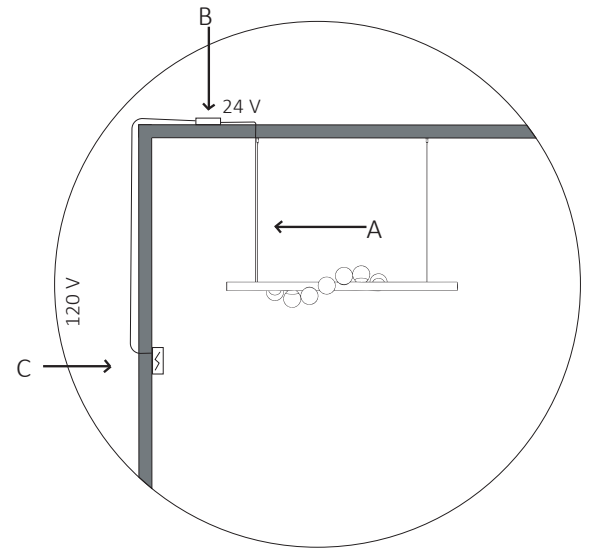


SINGLE FIXTURE CONNECTION INTO REMOTE DRIVER

A Coax from fixture runs up into ceiling to connect to remote driver (B)

B Remote driver (supplied with fixture) installed in ceiling

C Remote driver connects to power supply



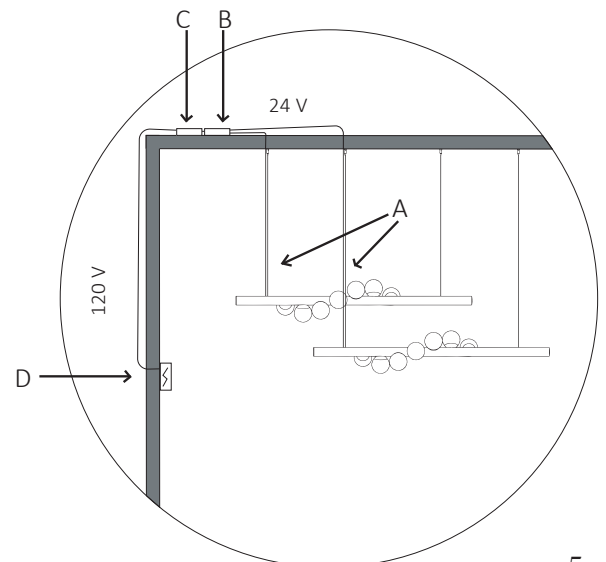
MULTIPLE FIXTURES INTO REMOTE DRIVER

A Coax from multiple fixtures runs up into ceiling to connect to remote drivers (B&C)

B Remote drivers (supplied with fixture) installed in ceiling

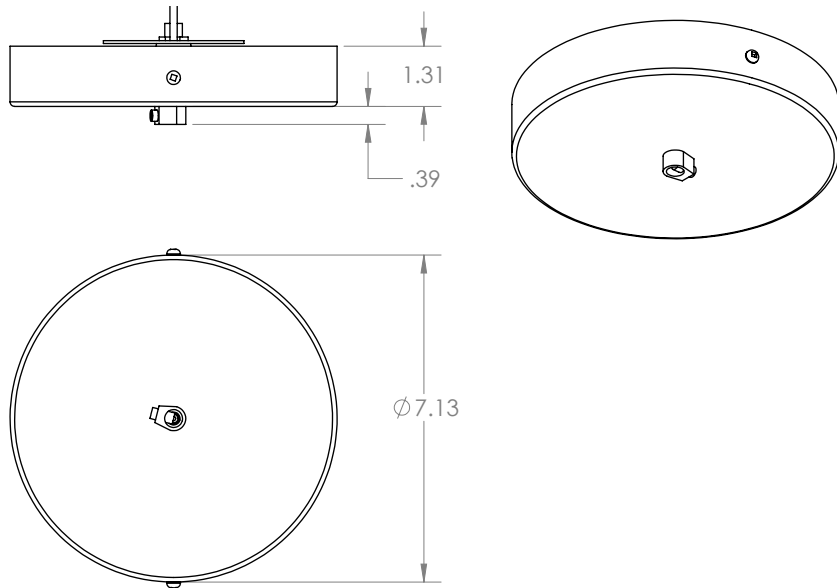
C Remote driver (B) connects to power supply

D Remote driver (C) connects to power supply

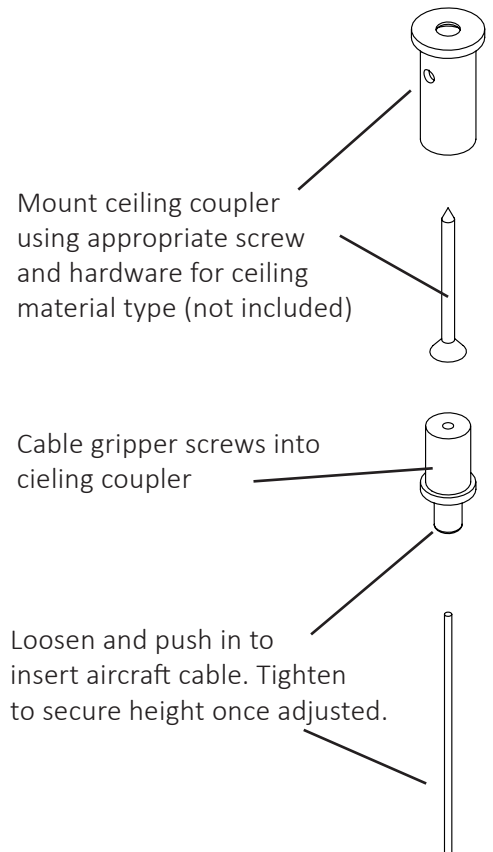


dimensions + installation

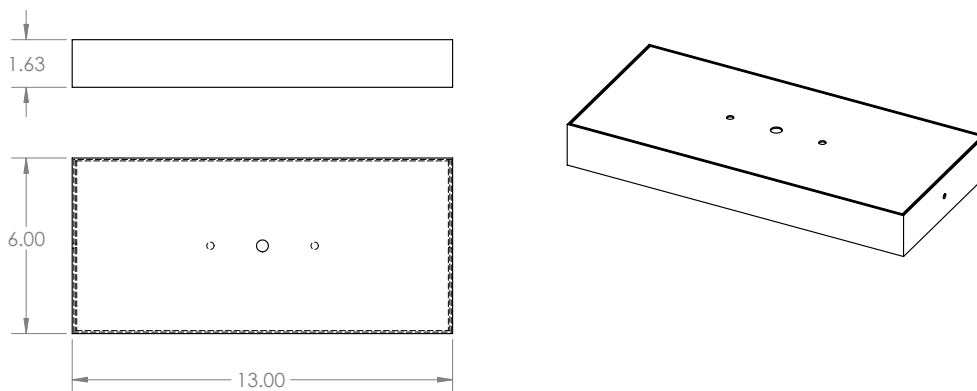
CANOPY DIMENSIONS



PENDANT GRIPPER ASSEMBLY



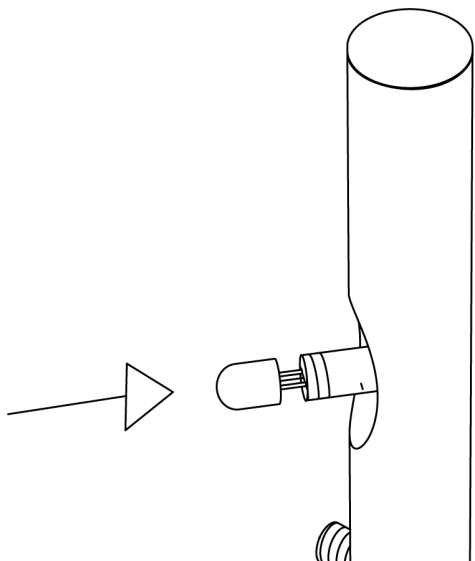
0-10 CANOPY DIMENSIONS (UPON REQUEST)



dimensions + installation

WILLOW GLASS ASSEMBLY

1. Plug G4 LED light bulbs into sockets



2. Twist glass orbs onto threaded rods

