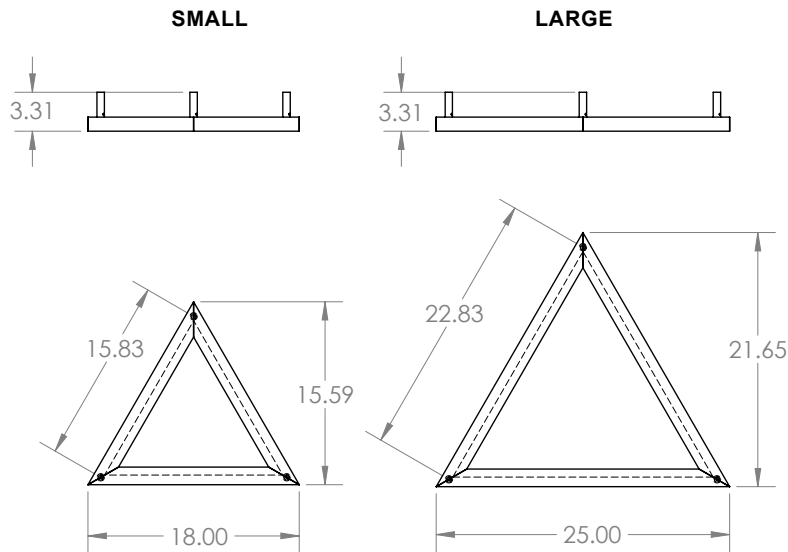


# TRIANGLE Sconce

A meditation on simple geometries and the shape of light itself. The pendant's soft LED glow radiates around its solid wood frame, emphasizing a stark silhouette and beauty of materials. In multiples, the piece becomes an immersive ceiling environment, urging onlookers to reflect on its movement and capture of light.

## DIMENSIONS + ELEVATION VIEWS



## PRODUCT DETAILS



### MATERIALS

- Solid Wood
- 24V LED
- Sconce hardware

### FINISH

- Hardwax Oil Finish

### COLOR TEMP

- 3000K
- \*Custom upon request

### POWER CONSUMPTION

- 19.5 W/metre
- Small: 32W, Large: 45W

### OUTPUT

- 388 lumens/ft
- Small: 1745 lm, Large: 2424 lm
- Equivalent incandescent 75-100W

### DRIVER + DIMMING TYPE

- Magnitude E40R24DC (small)
- Magnitude E75R23DC (large)
- 24V phase dimmable driver
- Magnitude CVD96R24DC
- 0-10V dimmable driver (upon request)

### SUSPENSION + CANOPY

- 3 point connection (per fixture)
- Single canopy connection
- Surface mount canopy or remote driver capability

- Canopy supplied with fixture
- Standard canopy finish: ceiling white
- \*Custom finish available upon request

### FIXTURE WEIGHT

- Small: 3lbs, Large: 4lbs

### PRODUCT CODE

- TRIAsconce

### SIZE

- Small
- Large

### WOOD

- W. Oak White
- W. Oak Natural
- W. Oak Black
- Walnut

### DESIGN

2015

### CERTIFICATION



## ORDER SPECIFICATIONS

TRIAsconce		
MODEL	SIZE	WOOD