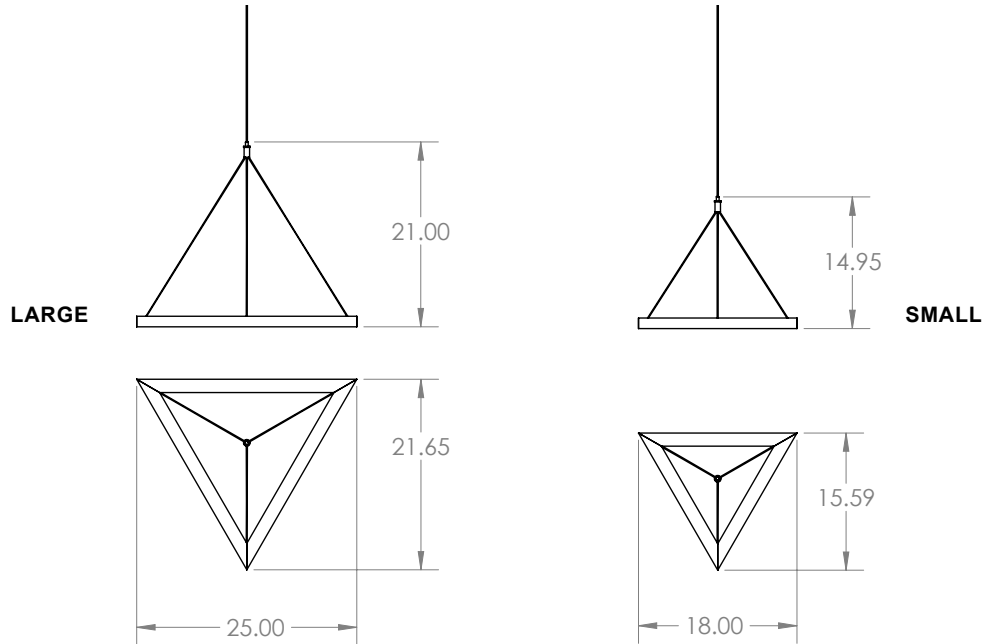


TRIANGLE Pendant

A meditation on simple geometries and the shape of light itself. The pendant's soft LED glow radiates around its solid wood frame, emphasizing a stark silhouette and beauty of materials. In multiples, the piece becomes an immersive ceiling environment, urging onlookers to reflect on its movement and capture of light.

DIMENSIONS + ELEVATION VIEWS



PRODUCT DETAILS



DESIGN
2015

CERTIFICATION



MATERIALS

- Solid Wood
- 24V LED
- Suspension hardware

FINISH

- Hardwax Oil Finish

COLOR TEMP

- 3000K
- *Custom upon request

POWER CONSUMPTION

- 19.5 W/metre
- Small: 32W, Large: 45W

OUTPUT

- 388 lumens/ft
- Small: 1745 lm, Large: 2424 lm
- Equivalent incandescent 75-100W

DRIVER + DIMMING TYPE

- Magnitude E40R24DC (small)
- Magnitude E75R23DC (large)
- 24V phase dimmable driver
- Magnitude CVD96R24DC
- 0-10V dimmable driver (upon request)

SUSPENSION + CANOPY

- Single point suspension (per fixture)
- Single canopy connection
- 10' cord length power cable
- *Custom lengths upon request

- Canopy supplied with fixture
- Standard canopy finish: ceiling white
- *Custom finish available upon request

FIXTURE WEIGHT

- Small: 3lbs, Large: 4lbs

PRODUCT CODE

- TRIApendant

SIZE

- Small
- Large

WOOD

- W. Oak White
- W. Oak Natural
- W. Oak Black
- Walnut

ORDER SPECIFICATIONS

TRIApendant		
MODEL	SIZE	WOOD