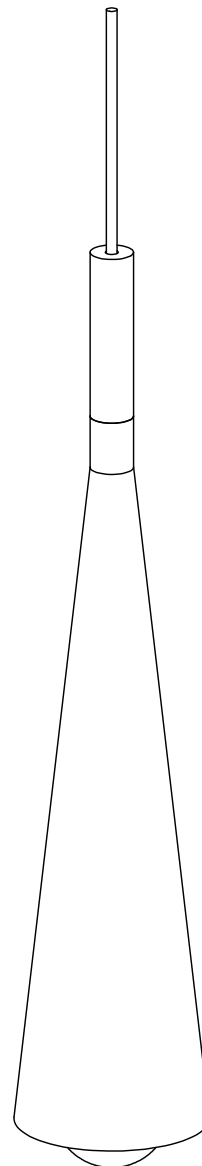


hollis+morris

stem pendant

product installation + specifications



stem pendant

product code:

STEMpendant

materials:

- + solid wood
- + hand blown glass
- + metal
- + fabric covered power cord
- + G9 LED light bulb

finish:

- + hardwax oil
- + powder coated or plated steel

input:

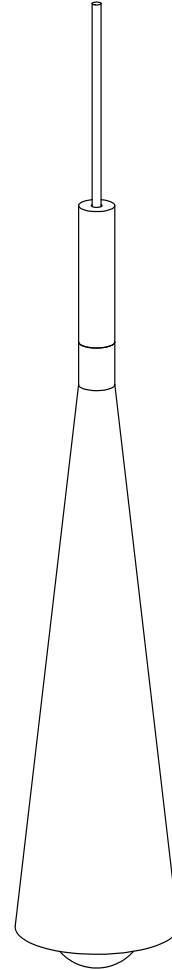
- + 120V 50/60 Hz (Canada + US)

output:

- + 4.5 W
- + 450 lumens
- + 3000K with CRI of 95 or higher

suspension:

- + cord length: 10' standard
(custom lengths available)
- + single point suspension (per fixture)
- + single canopy connection
- + standard canopy finish: ceiling white
(custom finish upon request)



certification:

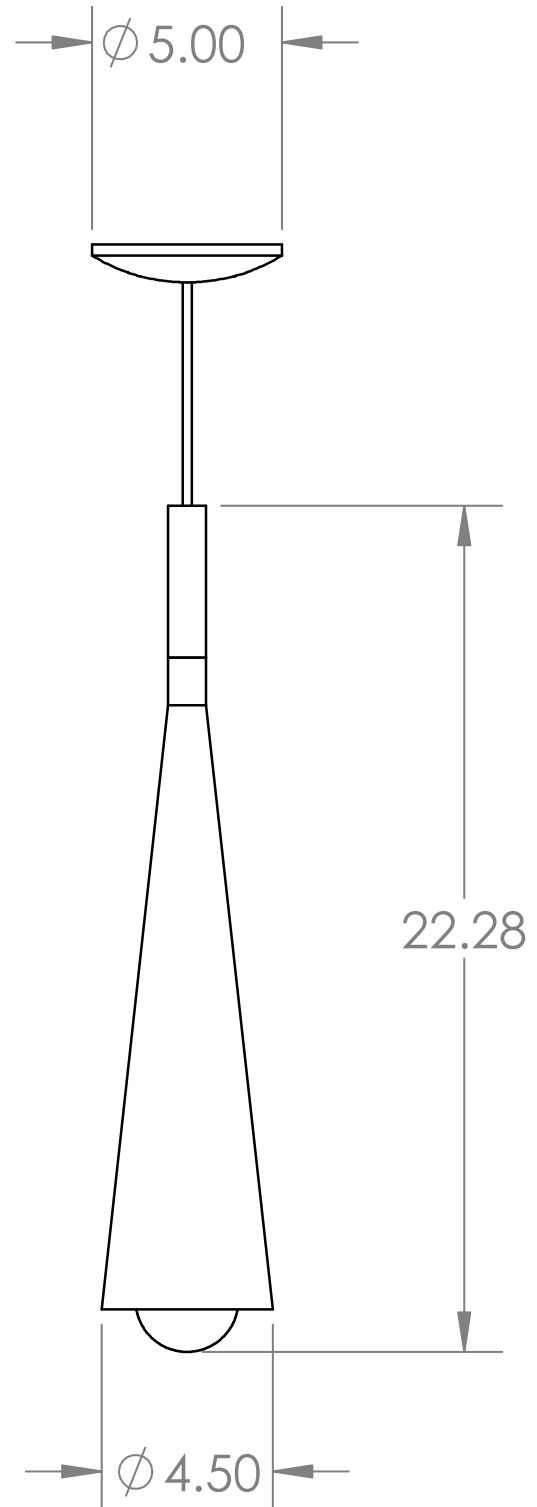
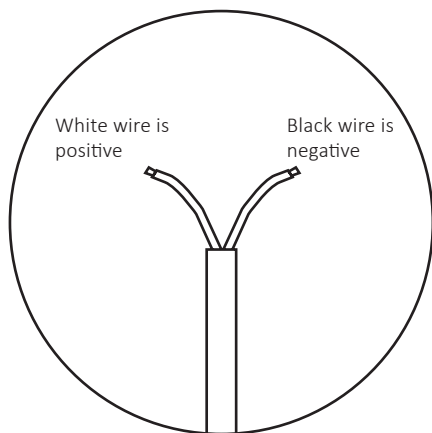


dimensions + installation

CANOPY CONNECTION

1. Locate desired canopy location on ceiling.
2. Connect cloth-covered suspension cable from fixture to cable gripper on canopy.
3. Feed insulated power line into canopy as illustrated on the right.
4. Have a certified electrician connect +/- leads into 120 V domestic power.
5. Secure all connections.
6. Adjust all cables to desired heights (standard x length max. = 120").

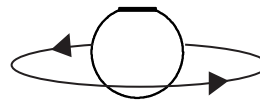
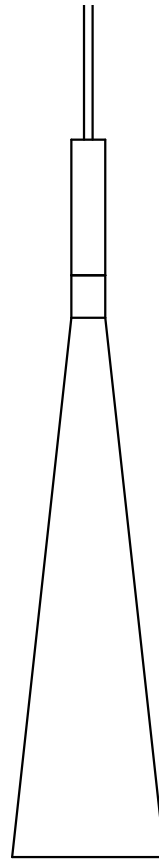
*** POWER CABLE



hardware replacement

BULB REPLACEMENT

1. Unscrew glass bulb from wood top
2. Remove G9 LED bulb from socket by gently pulling
3. Insert a new G9 LED bulb
4. Screw glass bulb onto wood top



CANOPY DIMENSIONS

