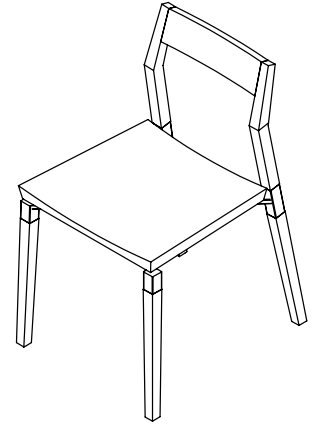
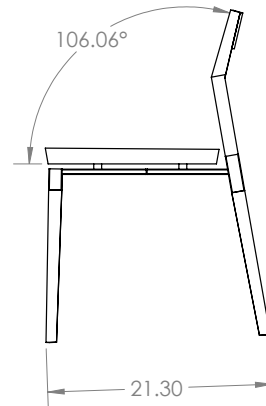
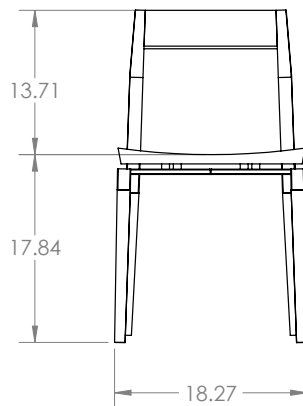


PARKDALE dining chair

An angular stool that celebrates the essential architecture of a chair through wood and metal. Prominent steel components replace the connections that would typically be made from wood. The intervention creates an alluring counterpoint to Parkdale's solid oak and walnut features: slight tapered limbs, a sharp backrest and a contoured floating seat.

DIMENSIONS + ELEVATION VIEWS



PRODUCT DETAILS



MATERIALS

- Solid Wood
- Metal
- *Upholstery upon request

FINISH

- Hardwax Oil Finish

FIXTURE WEIGHT

- 8 lbs

PRODUCT CODE

- PARKdining

WOOD

- W. Oak White
- W. Oak Natural
- W. Oak Black
- Walnut

METAL

- Powder-Coated Black
- Powder-Coated White

- Plating finishes upon request*

DESIGN

2013

ORDER SPECIFICATIONS

PARKdining		
------------	--	--

MODEL

WOOD

METAL