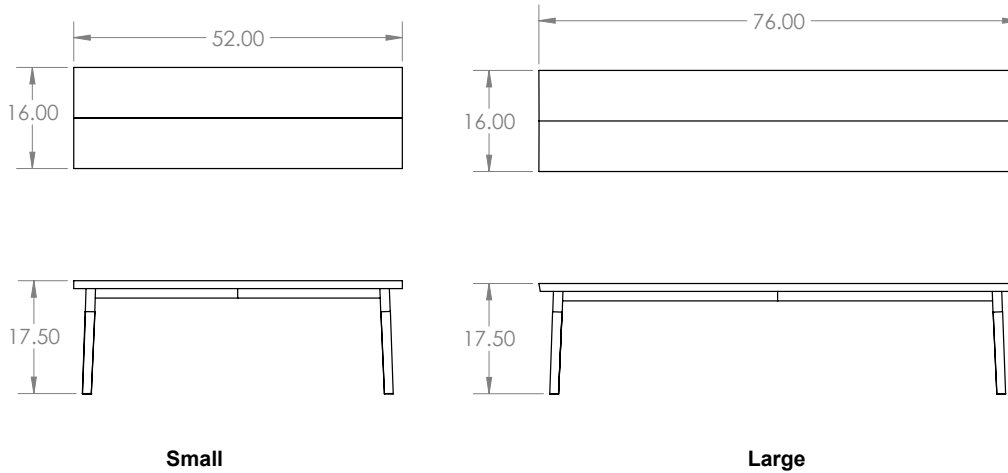


# PARKDALE bench

An angular stool that celebrates the essential architecture of a chair through wood and metal. Prominent steel components replace the connections that would typically be made from wood. The intervention creates an alluring counterpoint to Parkdale's solid oak and walnut features: slight tapered limbs, a sharp backrest and a contoured floating seat.

## DIMENSIONS + ELEVATION VIEWS



## PRODUCT DETAILS



### MATERIALS

- Solid Wood
- Metal
- \*Upholstery upon request

### FINISH

- Hardwax Oil Finish

### FIXTURE WEIGHT

- Small: 14 lbs
- Large: 18 lbs

### PRODUCT CODE

- PARKbench

### WOOD

- W. Oak White
- W. Oak Natural
- W. Oak Black
- Walnut

### METAL

- Powder-Coated Black
- Powder-Coated White

- Plating finishes upon request\*

### DESIGN

2013

## ORDER SPECIFICATIONS

PARKbench			
MODEL	SIZE	WOOD	METAL