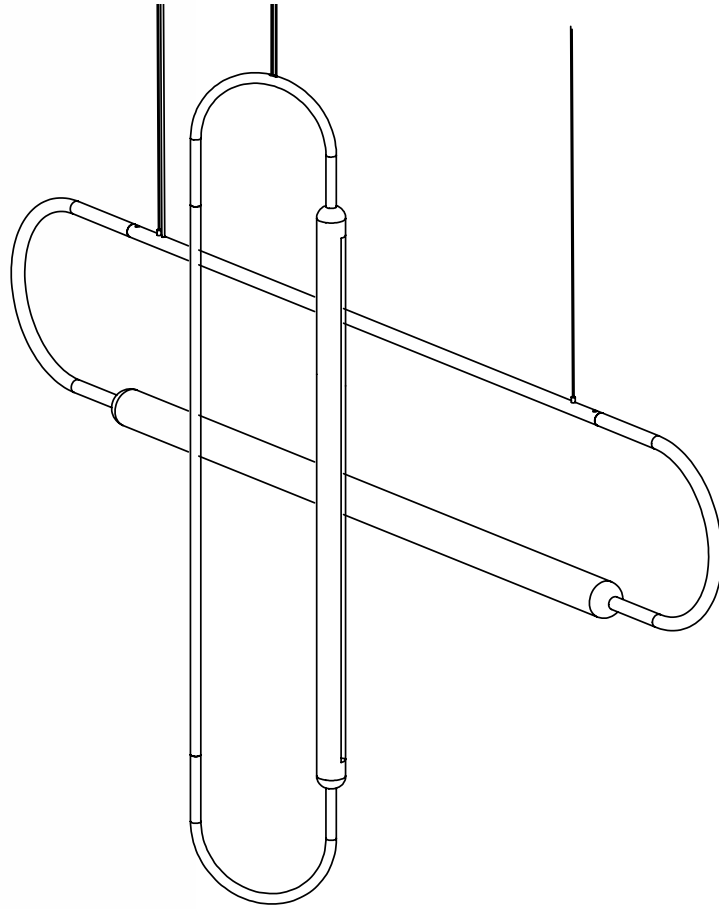


**hollis+morris**



**link  
pendant**

product installation + specifications



# link pendant

**product code:**

LINKhorizontal

LINKvertical

**materials:**

- + solid wood
- + 24V LED extrusion
- + steel pipe
- + suspension hardware

**finish:**

- + hardwax oil
- + powder coated or plated steel
- + stainless steel hardware

**input:**

- + 120V 50/60 Hz (Canada + US)

**driver:**

- + 24V phase dimmable driver
- + driver included with canopy

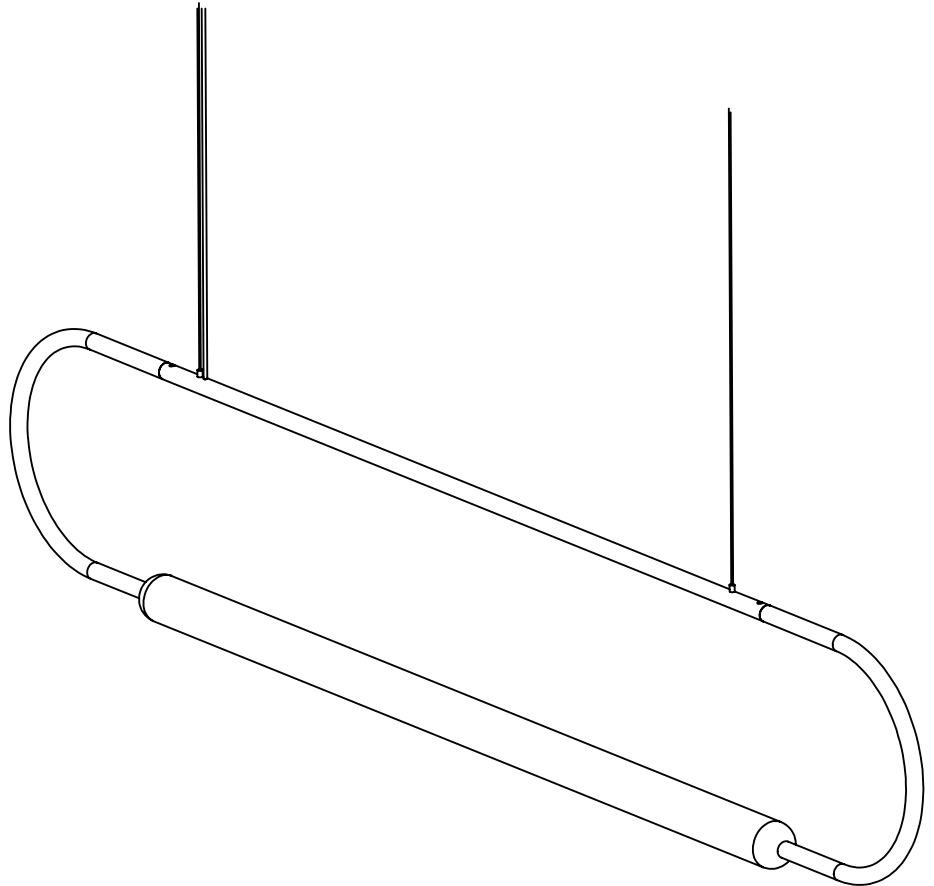
**output:**

- + 5.9 W/foot
- + 3000K with CRI of 95 or higher
- + 317 lm/foot
- + equivalent incandescent- 75-100W

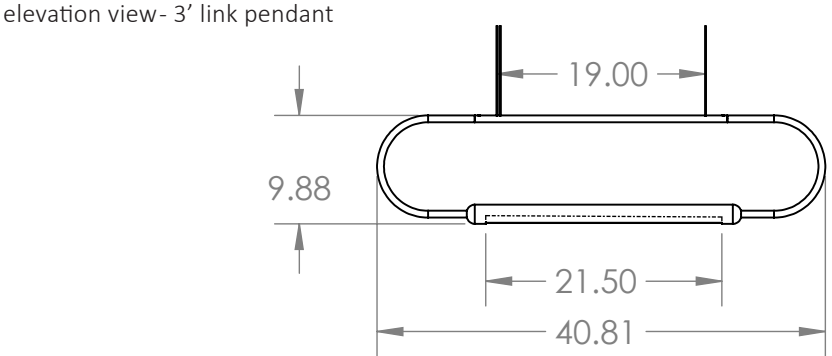
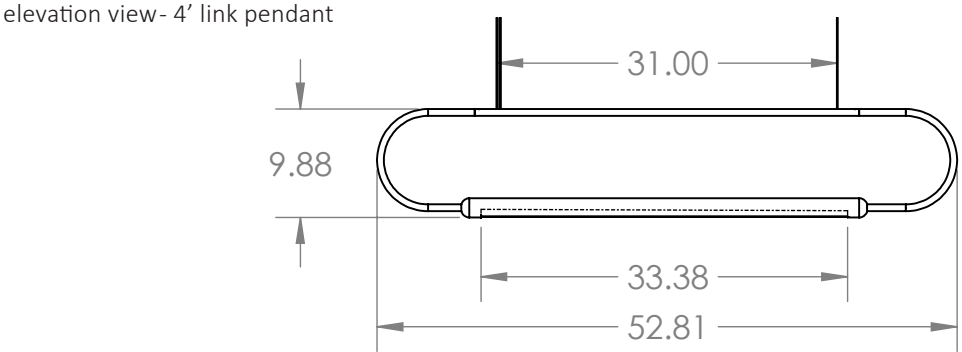
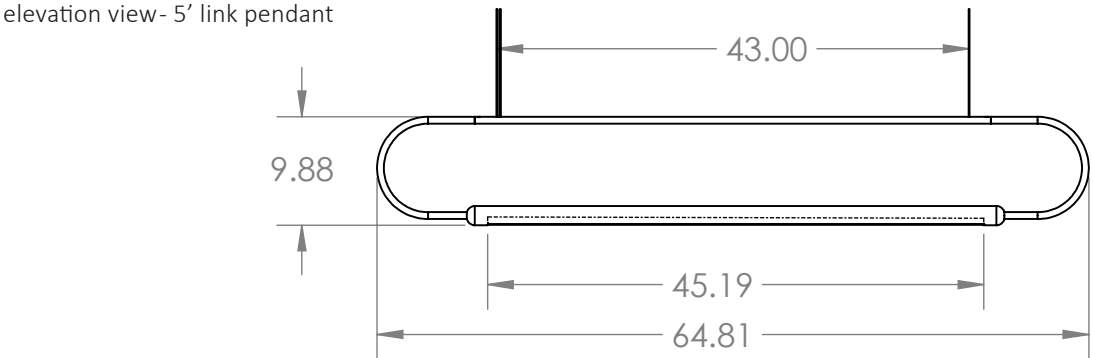
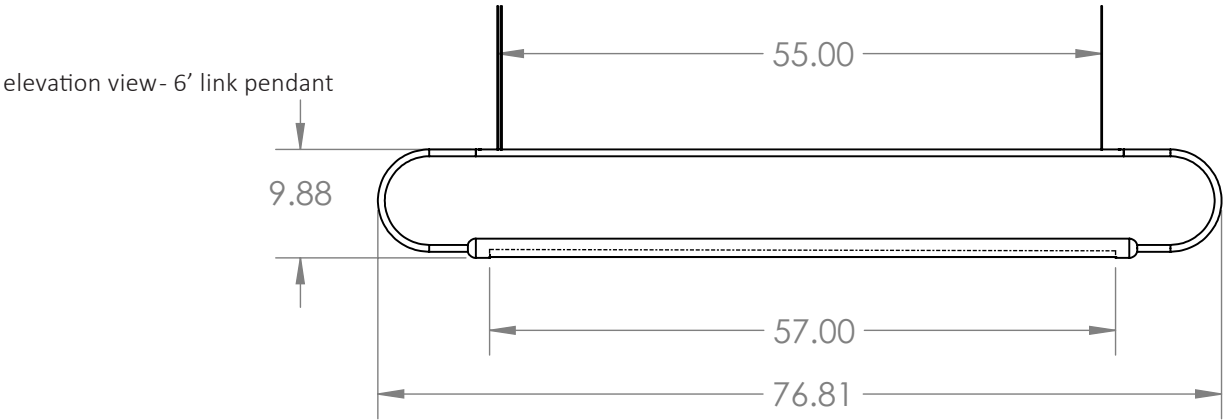
**suspension:**

- + cord length: 10' standard  
(custom lengths available)
- + 2-point suspension (horizontal)
- + 1-point suspension (vertical)
- + single canopy connection

**certification:**

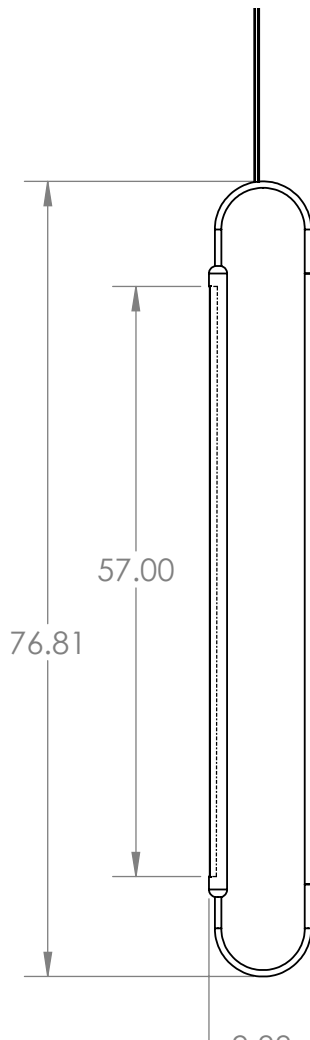


# dimensions + installation

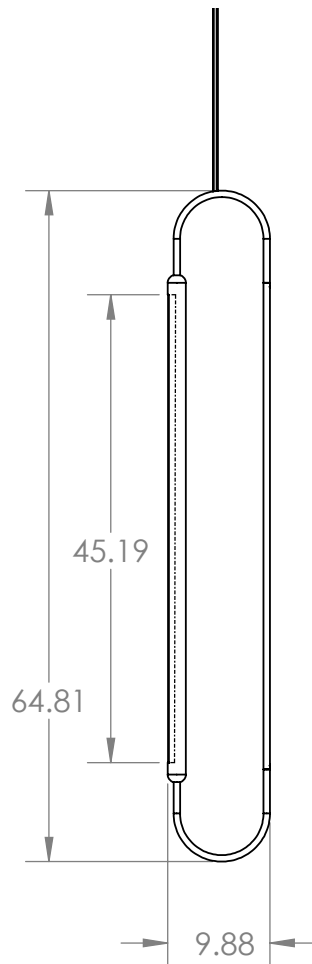


# dimensions + installation

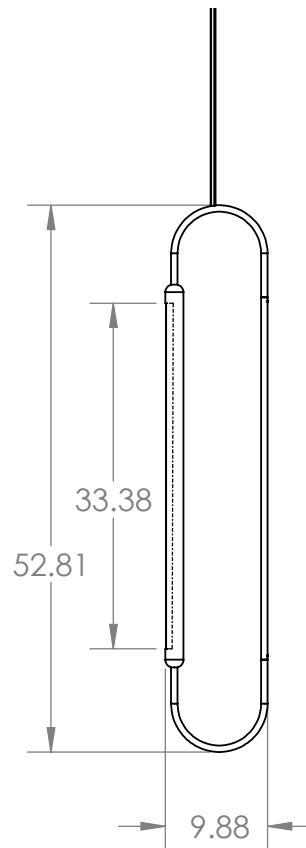
6' link pendant



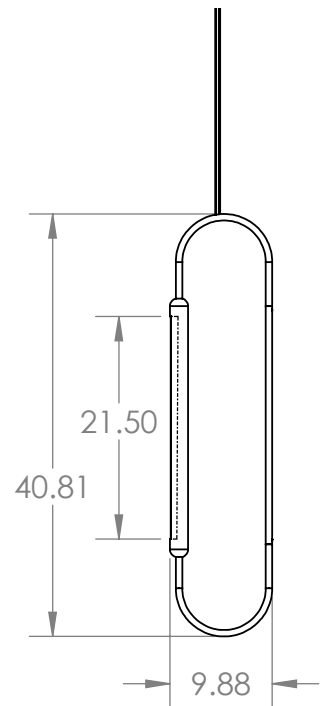
5' link pendant



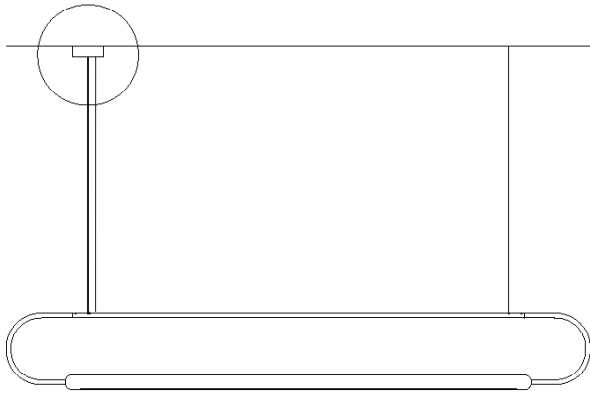
4' link pendant



3' link pendant



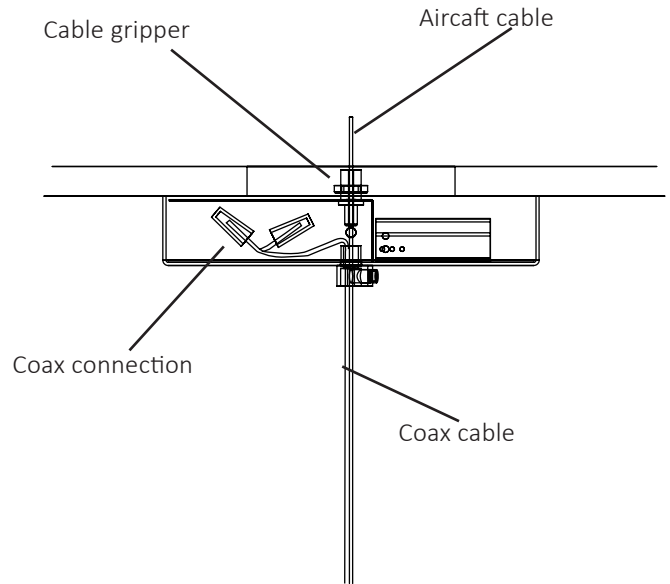
# dimensions + installation



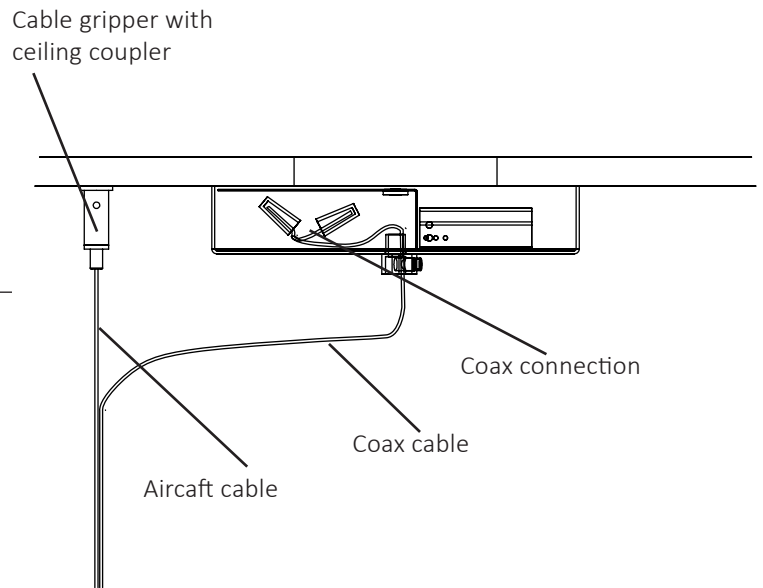
elevation view - canopy connection

1. Locate desired canopy location on ceiling & have a certified electrician supply and install to 120V power
2. Connect braided suspension cable from fixture to ceiling or canopy as illustrated on the right.
3. Feed insulated power line into canopy as illustrated on the right.
4. Connect +/- leads to 24V transformer inside canopy. \*\*\*
5. Secure all connections.
6. Adjust all cables to desired heights (standard x length max. = 144")

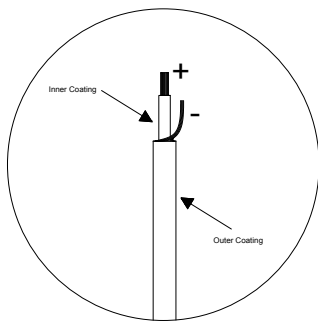
## Option A - Support from canopy



## Option B - Support from ceiling



### \*\*\* COAX CABLE

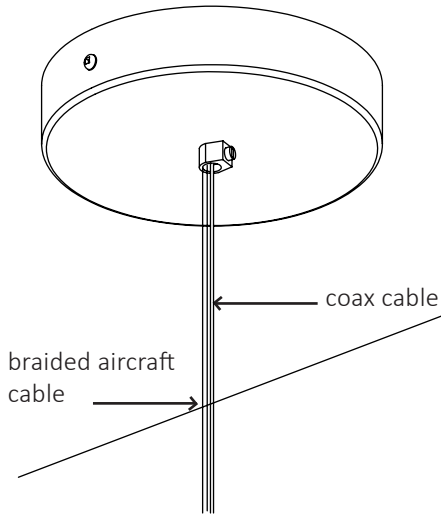


coax cable requires stripping of outer and inner coatings to access positive and negative connection wires

# dimensions + installation

## SINGLE FIXTURE CANOPY CONNECTION

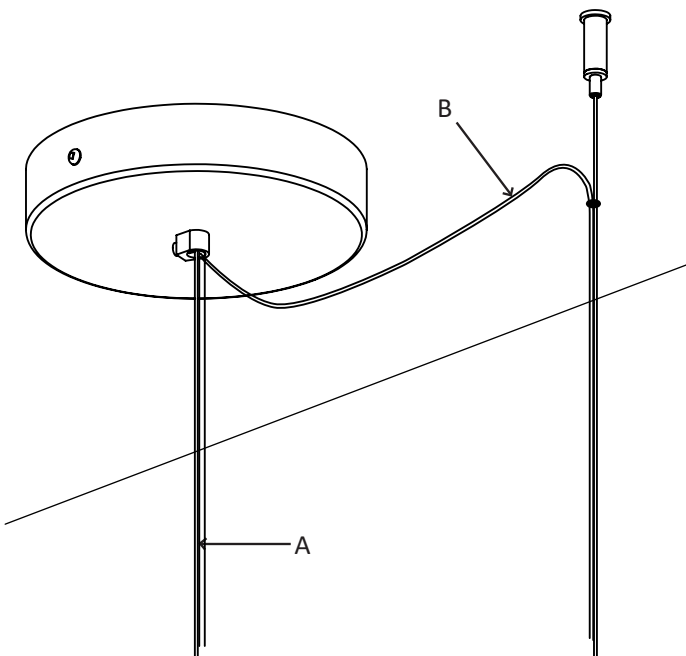
Coax runs into canopy



## MULTIPLE FIXTURES CANOPY CONNECTION

**A** Coax runs into canopy

**B** Second coax runs up to ceiling and drops over to enter power feed canopy

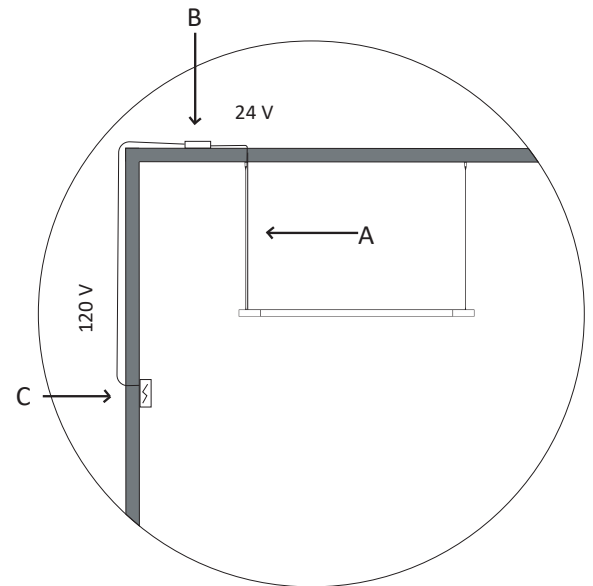


## SINGLE FIXTURE CONNECTION INTO REMOTE DRIVER

**A** Coax from fixture runs up into ceiling to connect to remote driver (B)

**B** Remote driver (supplied with fixture) installed in ceiling

**C** Remote driver connects to power supply



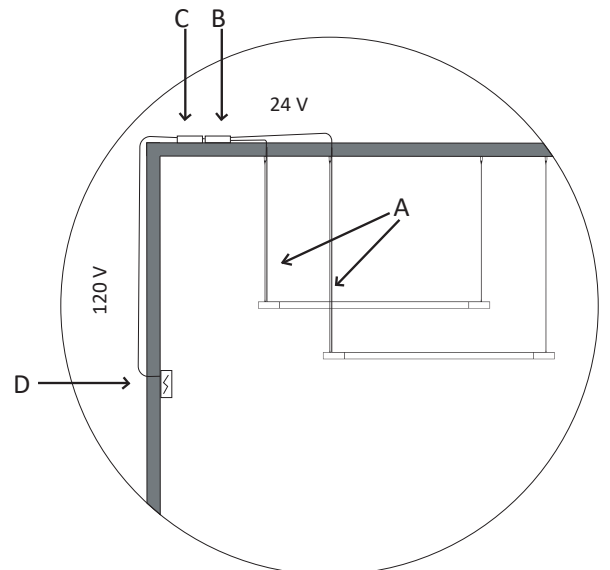
## MULTIPLE FIXTURES INTO REMOTE DRIVER

**A** Coax from multiple fixtures runs up into ceiling to connect to remote drivers (B&C)

**B** Remote drivers (supplied with fixture) installed in ceiling

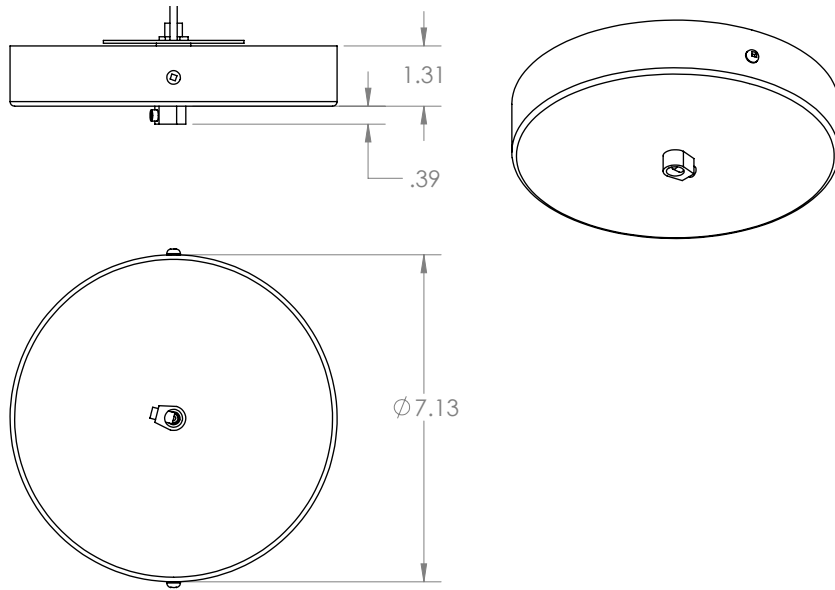
**C** Remote driver (B) connects to power supply

**D** Remote driver (C) connects to power supply

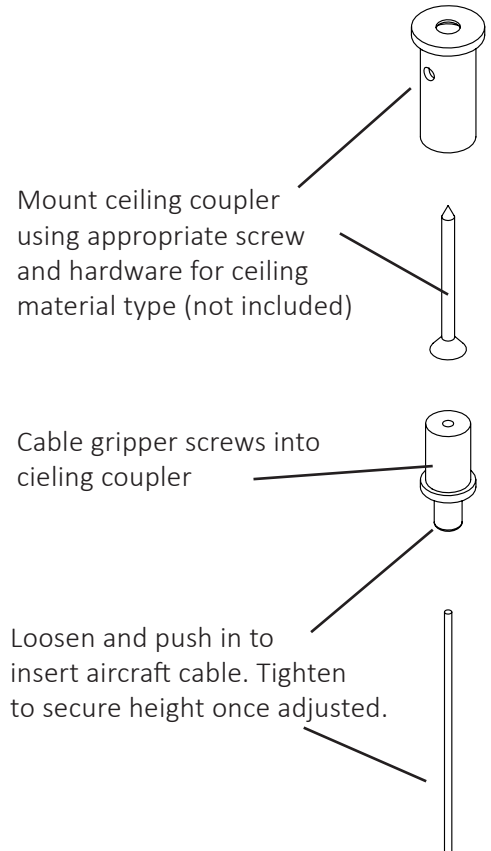


# dimensions + installation

## CANOPY DIMENSIONS



## PENDANT GRIPPER ASSEMBLY



## 0-10 CANOPY DIMENSIONS (UPON REQUEST)

