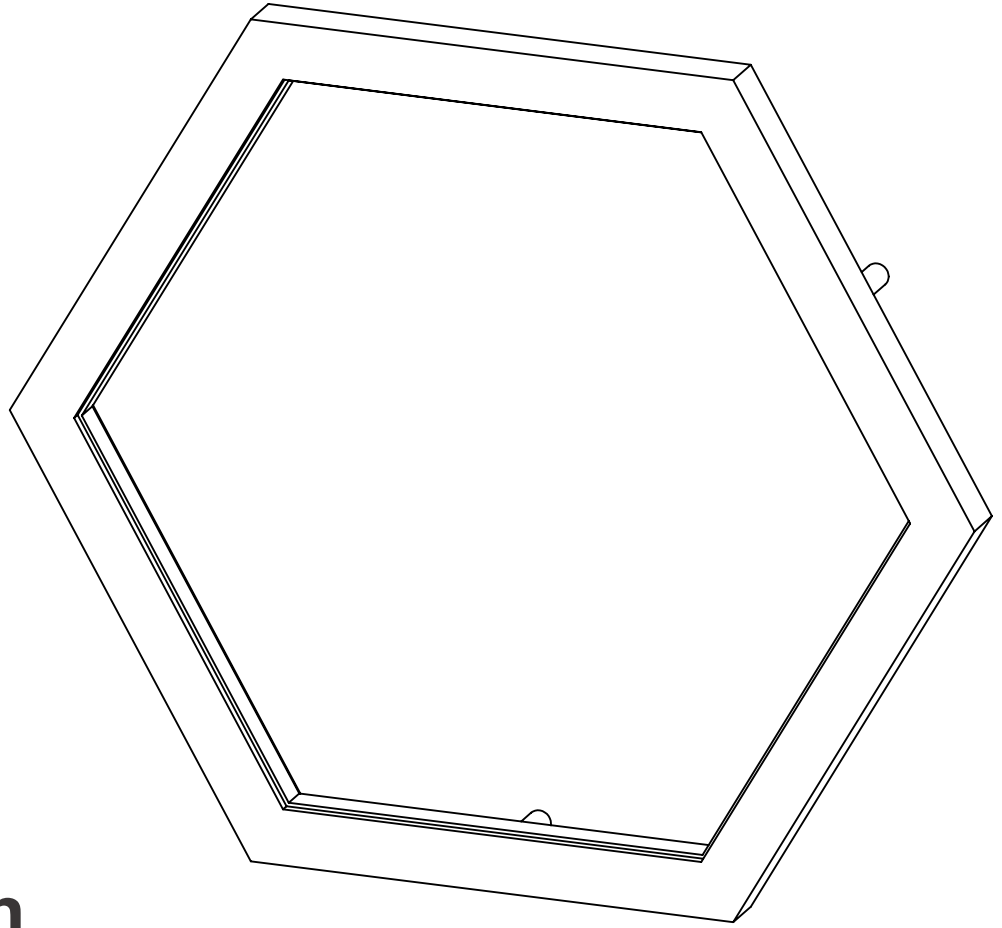


**hollis+morris**



**hexagon  
sconce**

product installation + specifications



# hexagon sconce

**product code:**  
HEXAsconce

**materials:**

- + solid wood
- + 24V LED extrusion
- + suspension hardware

**finish:**

- + hardwax oil
- + stainless steel hardware

**input:**

- + 120V 50/60 Hz (Canada + US)

**driver:**

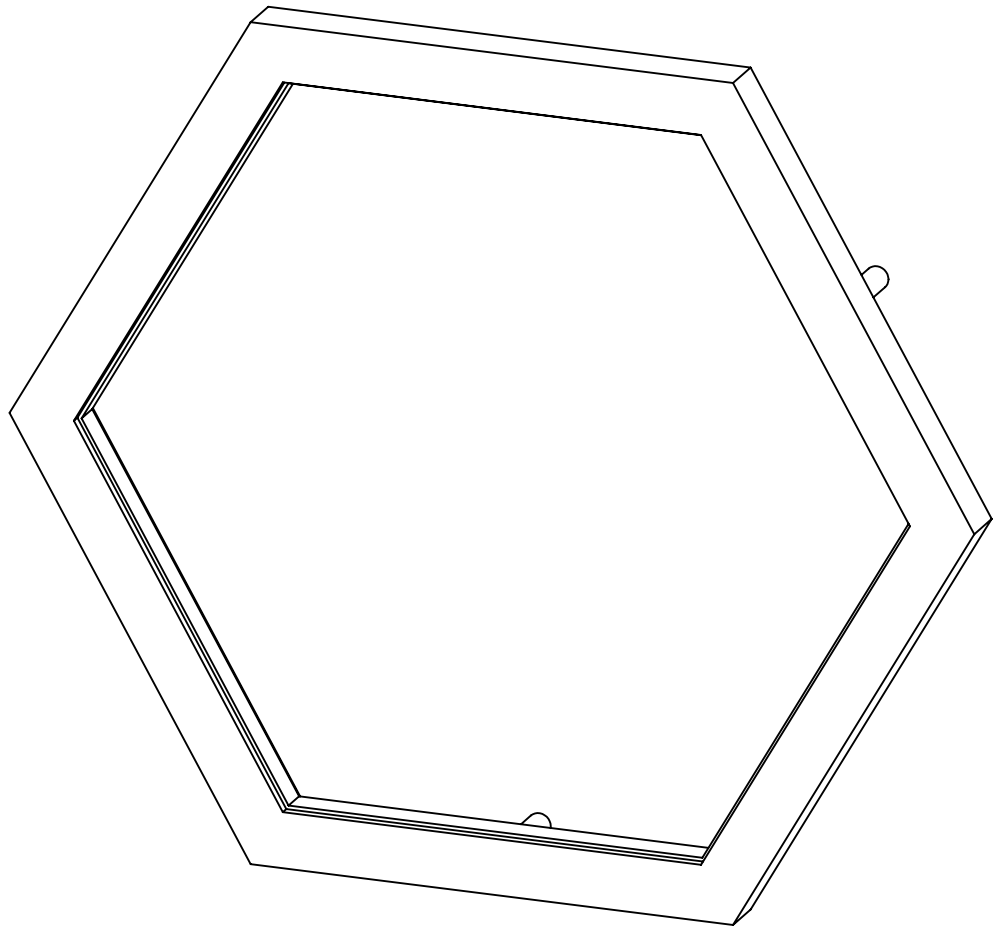
- + 24V phase dimmable driver
- + driver included with canopy

**output:**

- + 5.9 W/foot
- + sml: 27 W, med: 39 W, lrg: 46 W
- + 317 lm/foot
- + 3000K with CRI of 95 or higher

**mounting**

- + junction box connection
- + 3- point connection
- + single driver connection

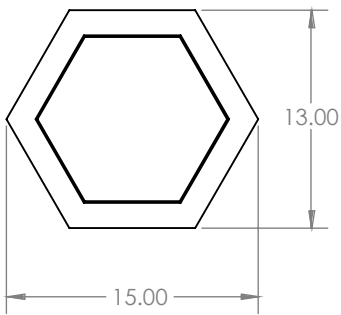
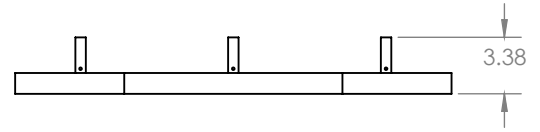
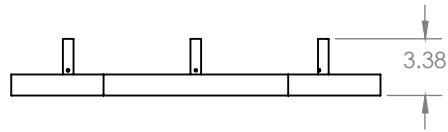
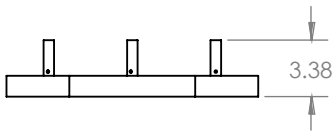


**certification:**

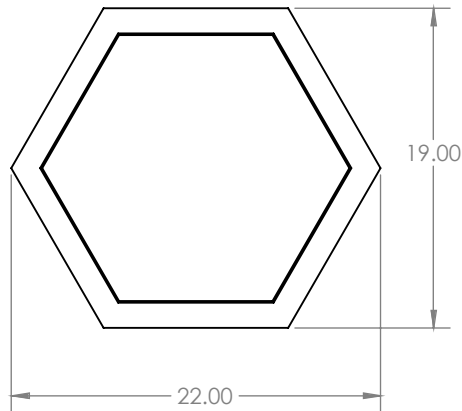


# dimensions + installation

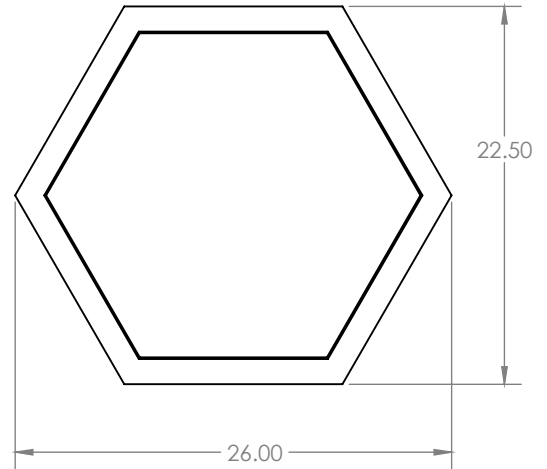
elevation views:



small



medium



large

## Wiring Options

A (remote driver):

- + have a certified electrician connect 120V to supplied driver
- + feed 24V wire from fixture post location to remote driver and secure all connections

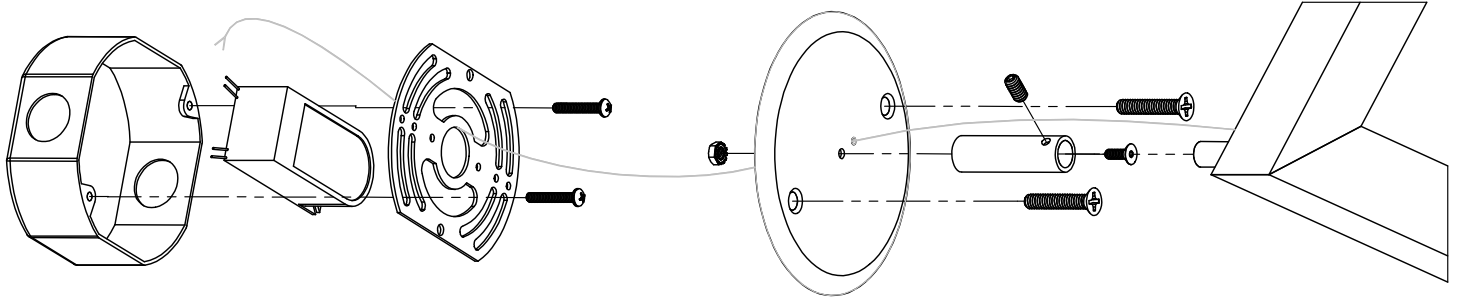
B (plug-in transformer):

- + connect 3-pronged wire from 24V transformer to 120V outlet
- + connect male adapter to power input jack on fixture

# hardware installation assembly

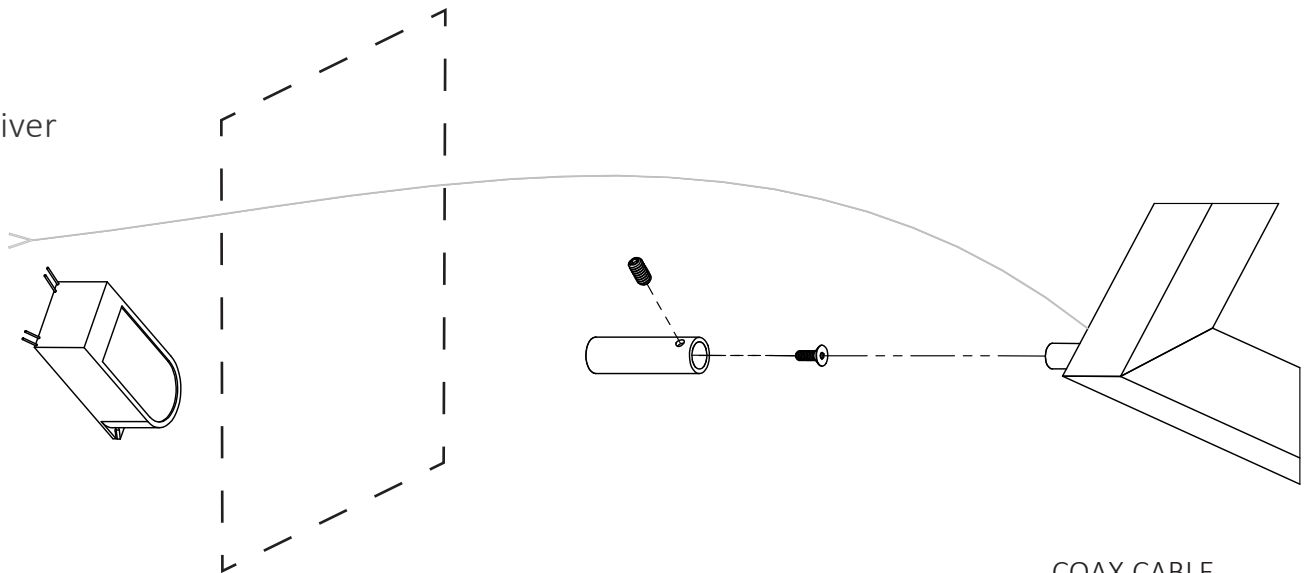
Option A:

Local Driver



Option B:

Remote Driver



**COAX CABLE**  
coax cable requires stripping of outer and inner coatings to access positive and negative connection wires

