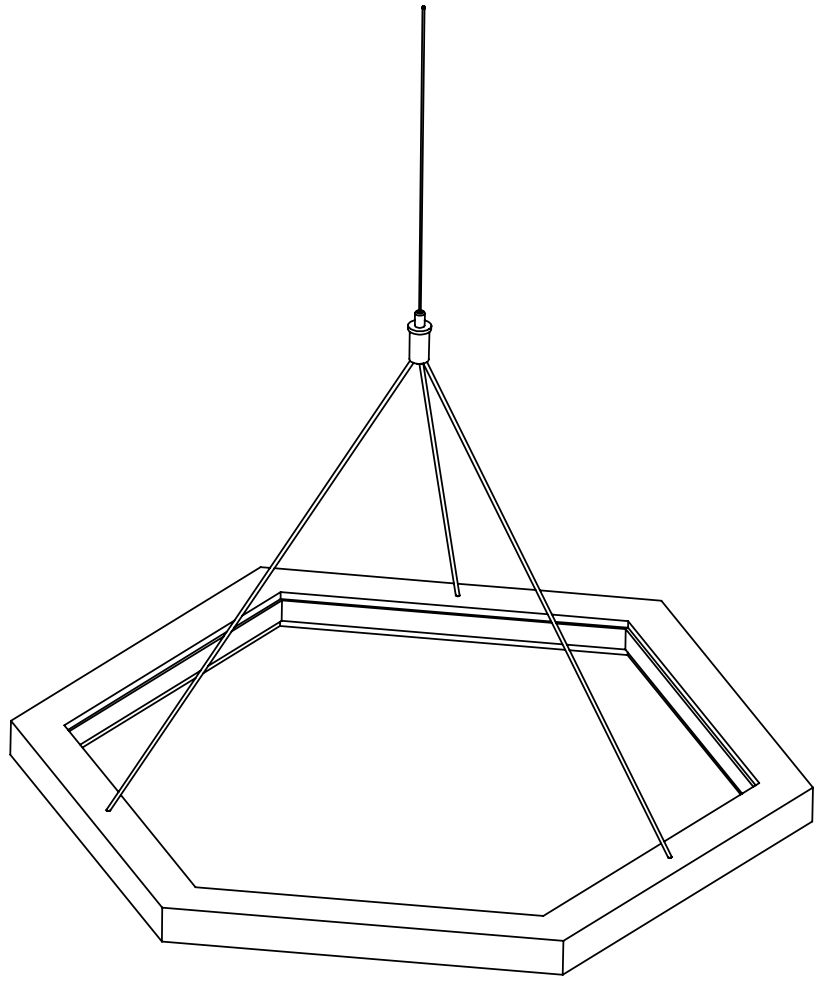


hollis+morris

**hexagon
pendant**

product installation + specifications



hexagon pendant

product code:
HEXApendant

materials:

- + solid wood
- + 24V LED extrusion
- + suspension hardware

finish:

- + hardwax oil
- + stainless steel hardware

input:

- + 120V 50/60 Hz (Canada + US)

driver:

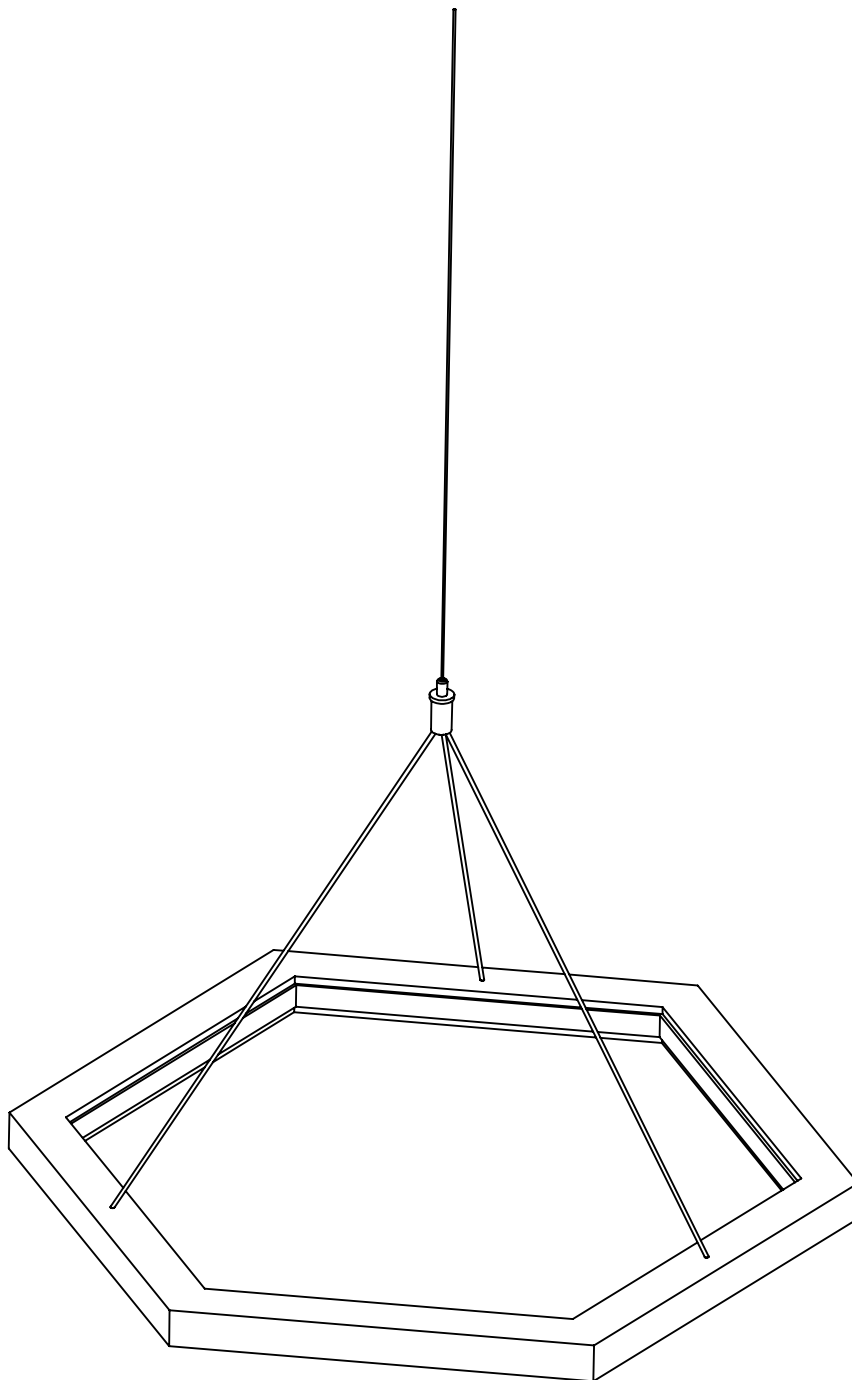
- + 24V phase dimmable driver
- + driver included with canopy
- + 277 VAC- 0-10 dimmable driver (upon request)

output:

- + 5.9 W/foot
- + sml: 27 W, med: 39 W, lrg: 46 W
- + 317 lm/foot
- + 3000K with CRI of 95 or higher

suspension:

- + cord length: 10' standard (custom lengths available)
- + single point suspension (per fixture)
- + single canopy connection

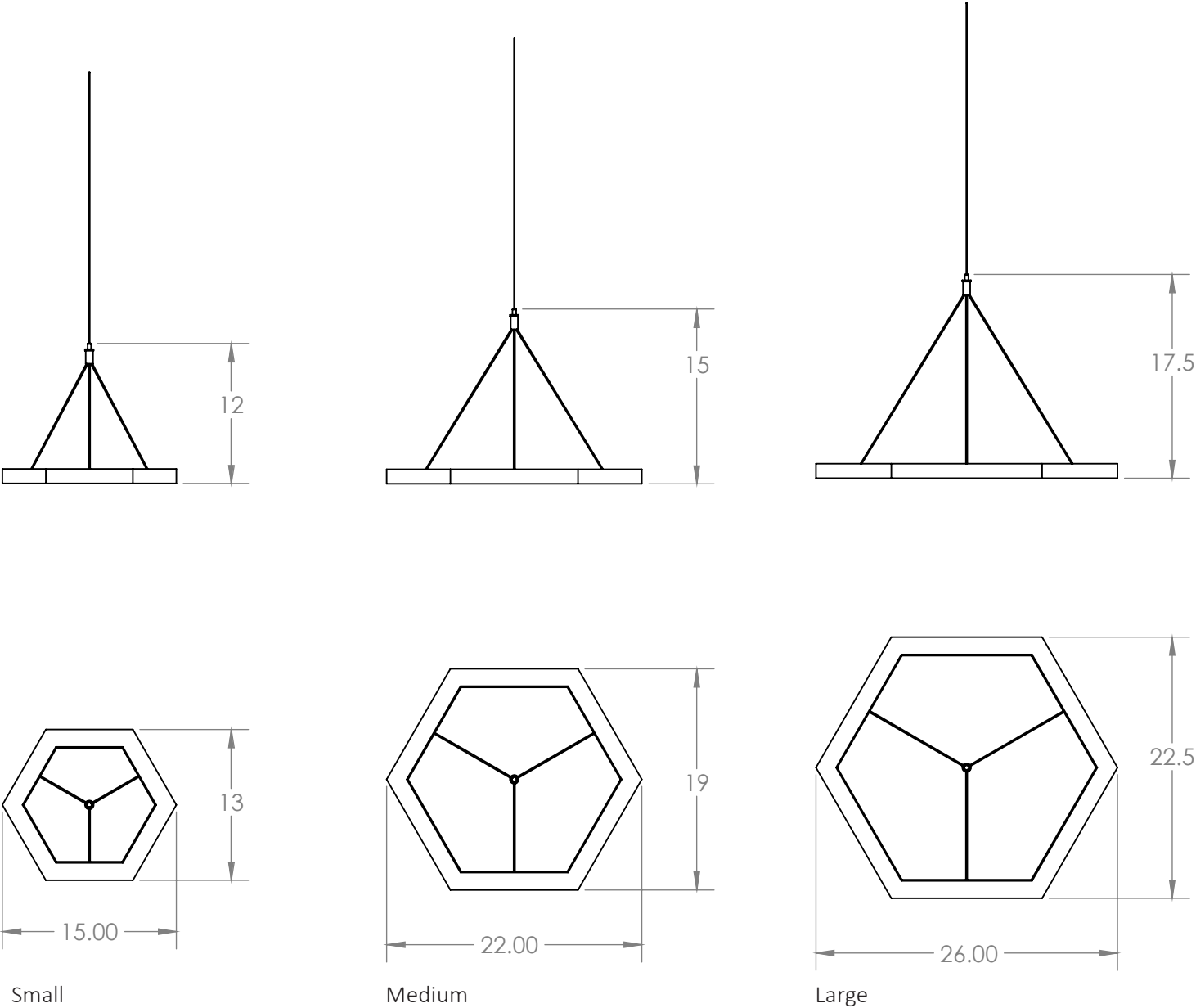


certification:



dimensions + installation

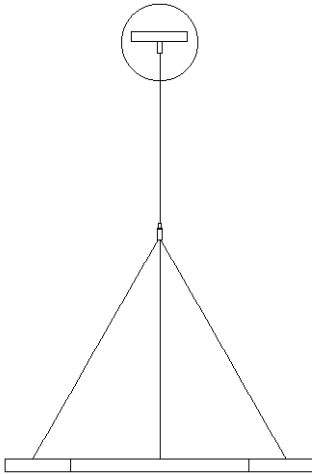
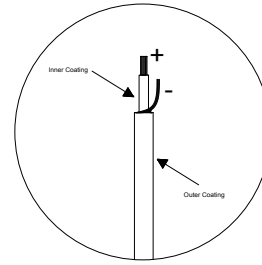
elevation views:



dimensions + installation

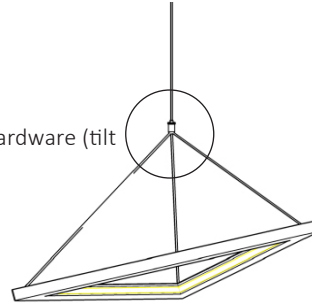
*** COAX CABLE

coax cable requires stripping of outer and inner coatings to access positive and negative connection wires



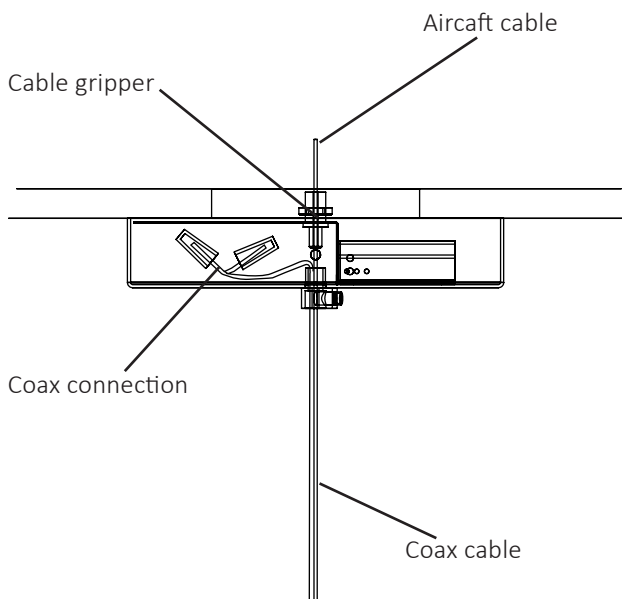
elevation view- canopy connection

3-way hardware (tilt adjust)

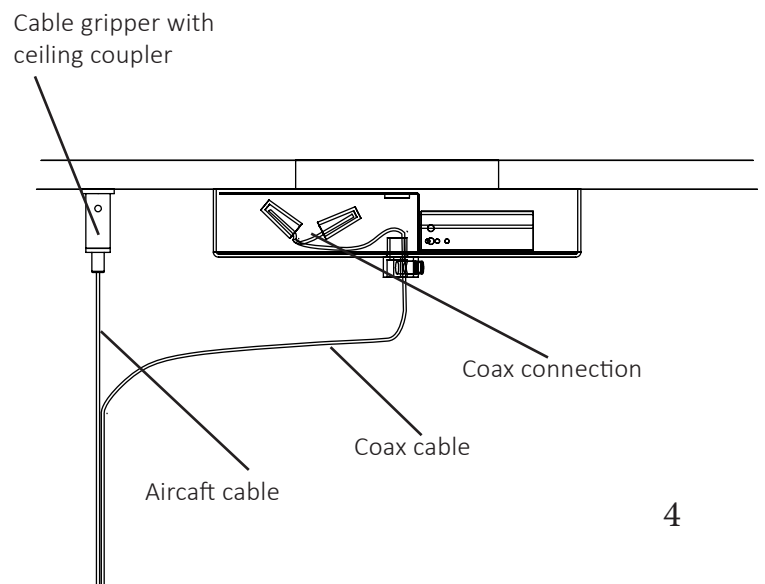


1. Locate desired canopy location on ceiling & have a certified electrician supply and install to 120V power.
2. Connect braided suspension cable from fixture to ceiling or canopy as illustrated below.
3. Feed insulated power line into canopy as illustrated below.
4. Connect +/- leads to 24V transformer inside canopy.
5. Secure all connections.
6. Adjust all cables to desired heights (standard x length max. = 144")

Option A - Support from canopy



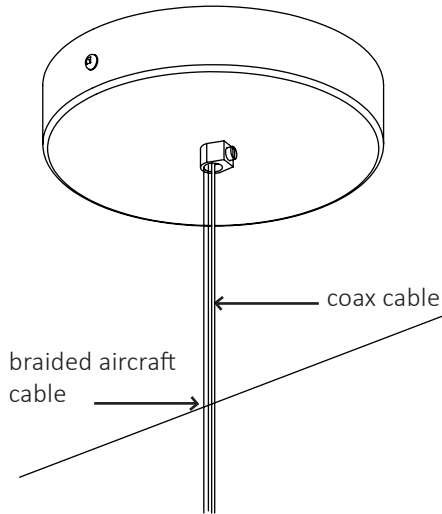
Option B - Support from ceiling



dimensions + installation

SINGLE FIXTURE CANOPY CONNECTION

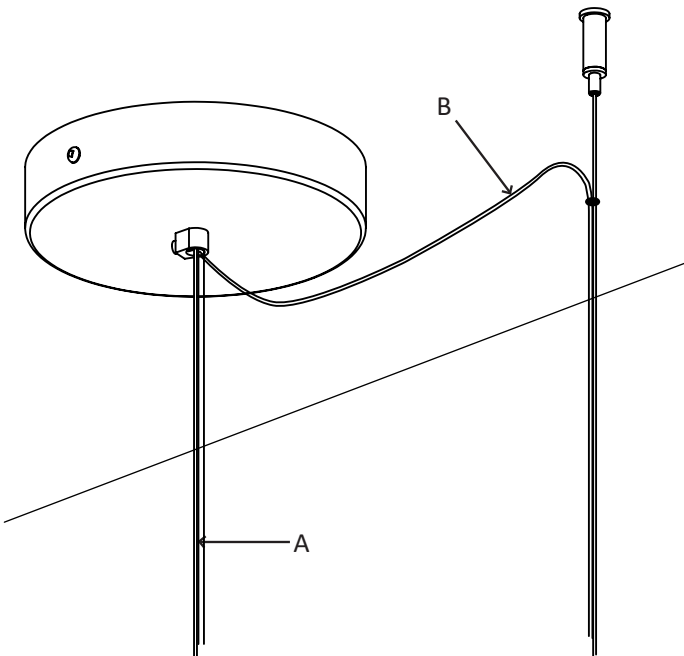
Coax runs into canopy



MULTIPLE FIXTURES CANOPY CONNECTION

A Coax runs into canopy

B Second coax runs up to ceiling and drops over to enter power feed canopy

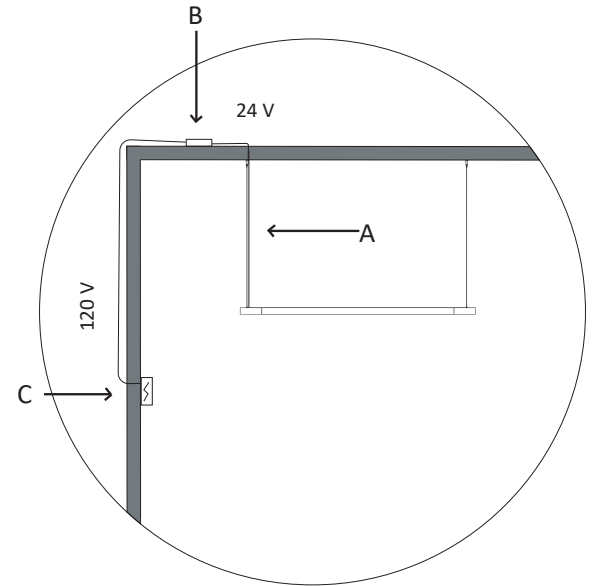


SINGLE FIXTURE CONNECTION INTO REMOTE DRIVER

A Coax from fixture runs up into ceiling to connect to remote driver (B)

B Remote driver (supplied with fixture) installed in ceiling

C Remote driver connects to power supply



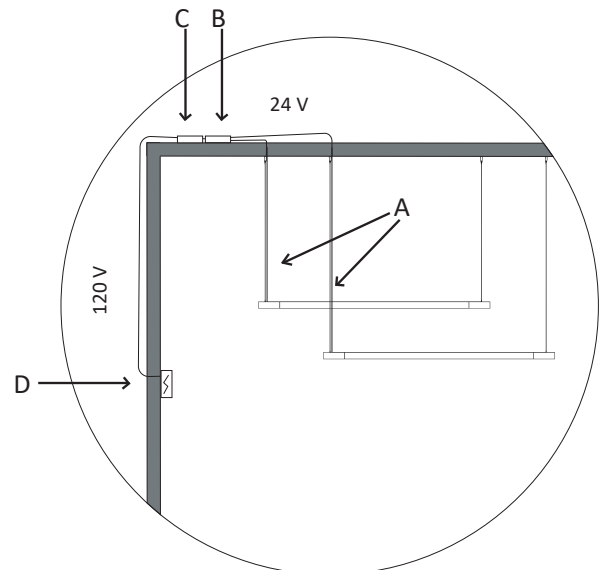
MULTIPLE FIXTURES INTO REMOTE DRIVER

A Coax from multiple fixtures runs up into ceiling to connect to remote drivers (B&C)

B Remote drivers (supplied with fixture) installed in ceiling

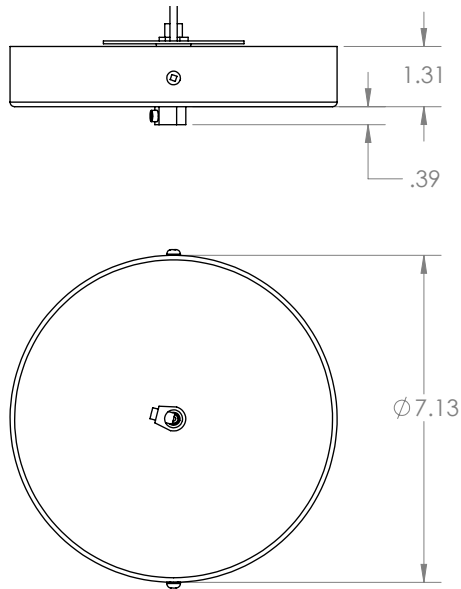
C Remote driver (B) connects to power supply

D Remote driver (C) connects to power supply

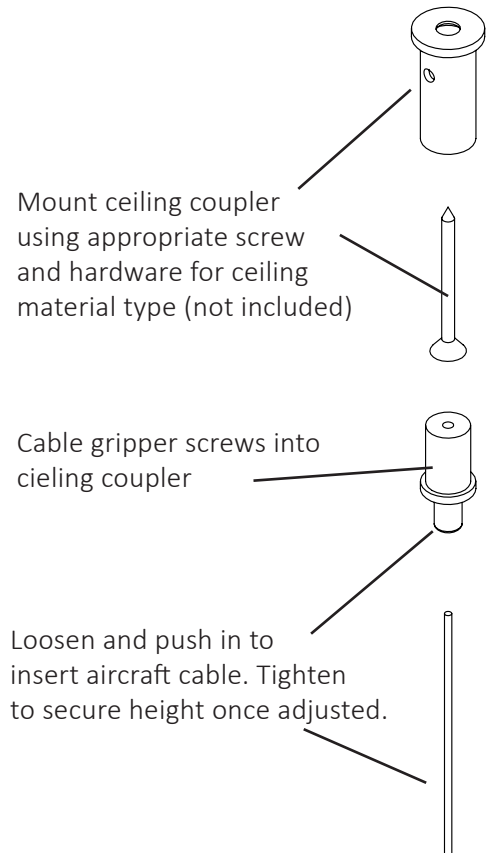


dimensions + installation

CANOPY DIMENSIONS



PENDANT GRIPPER ASSEMBLY



0-10 CANOPY DIMENSIONS (UPON REQUEST)

