

**hollis+morris**



**hexagon**  
**pendant**  
product installation + specifications



# hexagon pendant

product code:  
**HEXApendant**

**materials:**

- + solid W.Oak or Walnut
- + 24V LED extrusion
- + suspension hardware

**finish:**

- + hardwax oil

**input:**

- + 120V 50/60 Hz (Canada + US)

**output:**

- + 19.5 W/metre
- + sml: 27W, med: 40W, lrg: 47W,
- + 3600 lm/metre
- + 3000K with CRI of 95 or higher
- + equivalent incandescent 75-100W

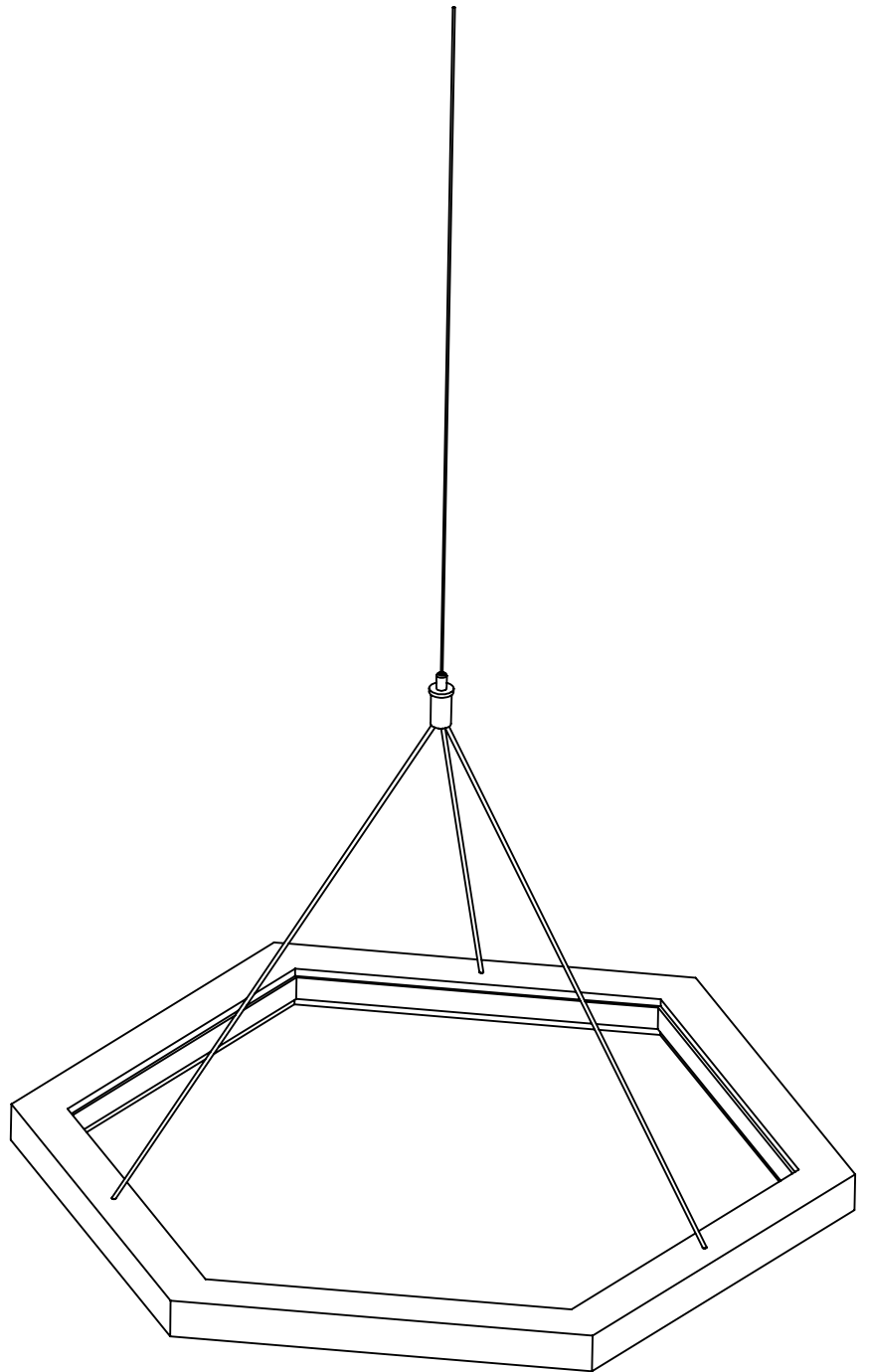
**driver:**

- + 120V - 24V fully dimmable
- + driver included w/ canopy

**suspension:**

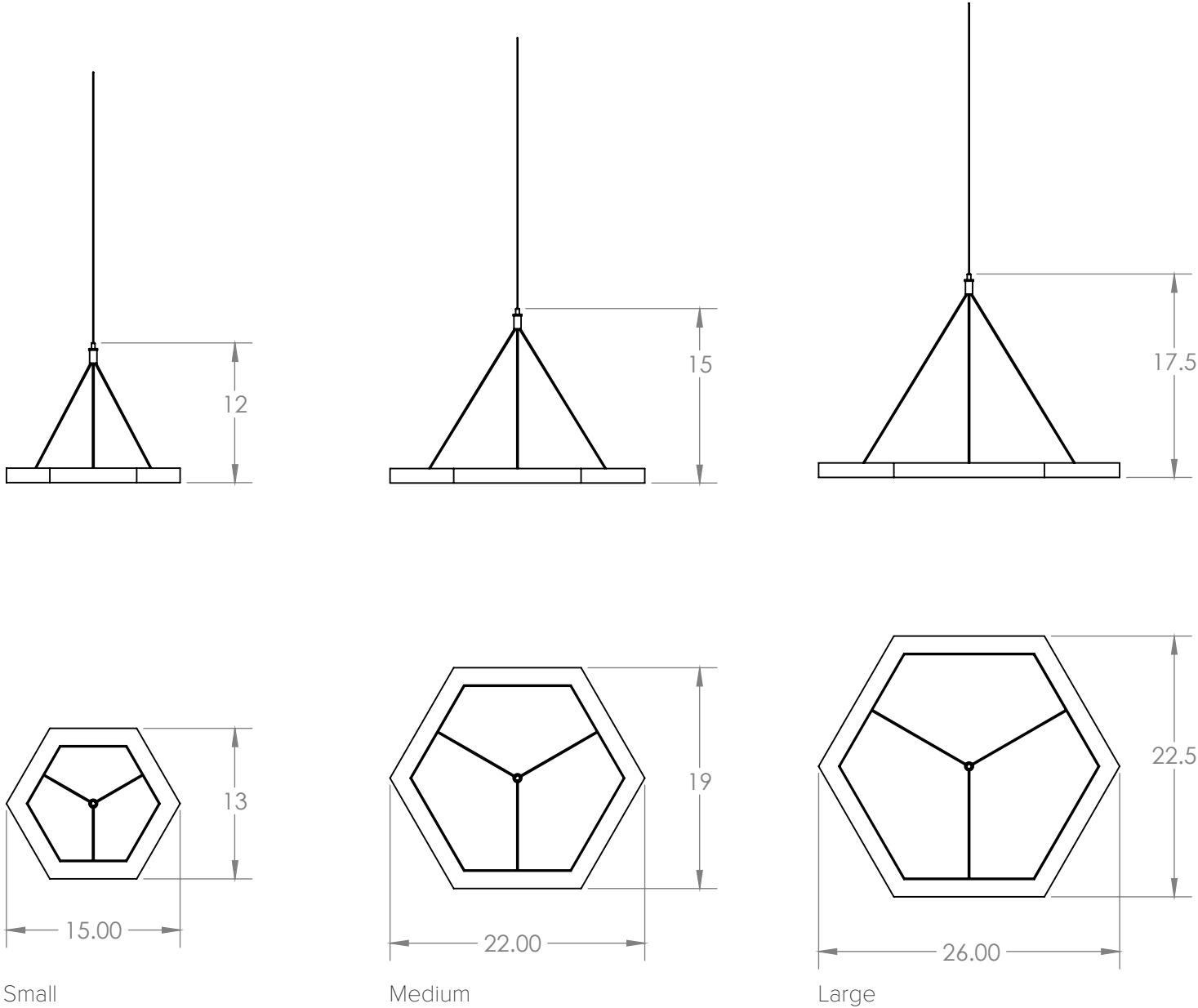
- + cord length: 10' standard  
(custom length available)
- + 3 point suspension (per fixture)
- + single canopy connection

**certification:**



# dimensions + installation

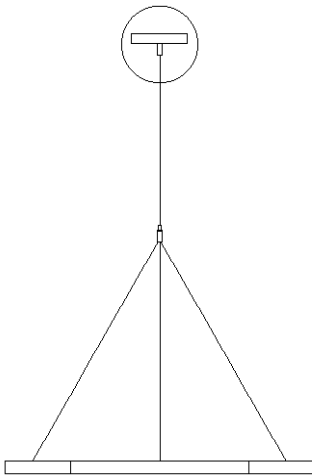
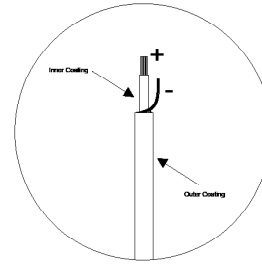
elevation views:



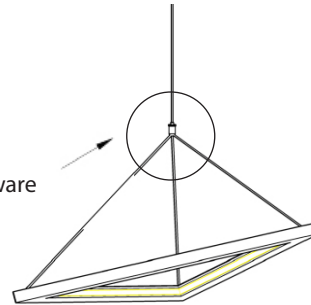
# dimensions + installation

## \*\*\* COAX CABLE

coax cable requires stripping of outer and inner coatings to access positive and negative connection wires



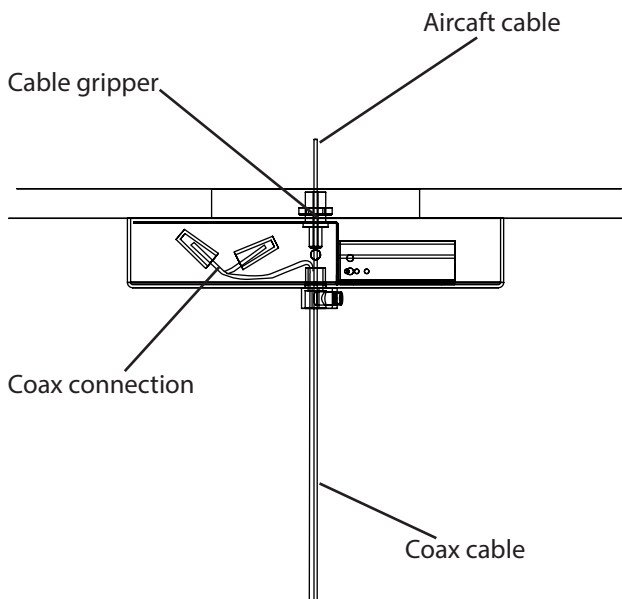
3-way hardware  
(tilt adjust)



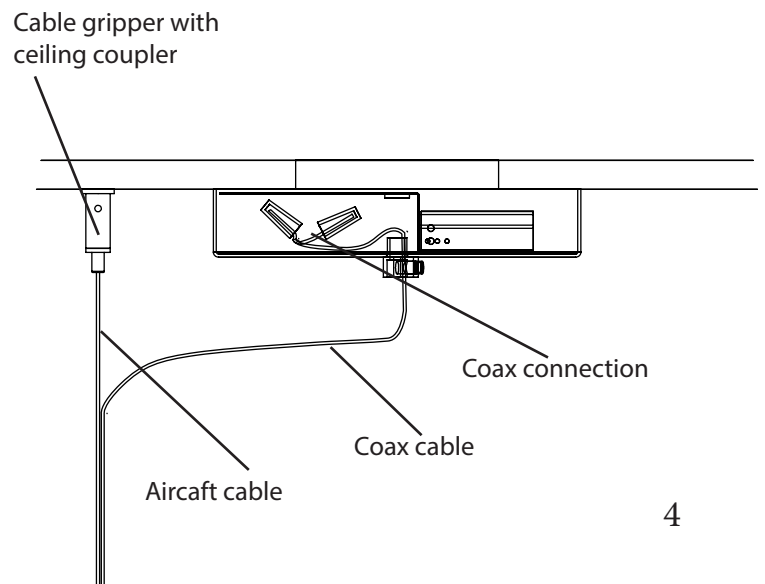
elevation view - canopy connection

1. Locate desired canopy location on ceiling & have a certified electrician supply and install to 120V power.
2. Connect braided suspension cable from fixture to ceiling or canopy as illustrated below.
3. Feed insulated power line into canopy as illustrated below.
4. Connect +/- leads to 24V transformer w/in canopy.
5. Secure all connections.
6. Adjust all cables to desired heights (standard x length max. = 144")

### Option A - Support from canopy



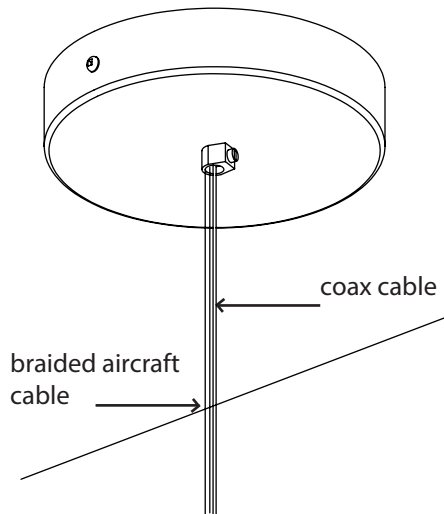
### Option B - Support from ceiling



# dimensions + installation

## SINGLE FIXTURE CANOPY CONNECTION

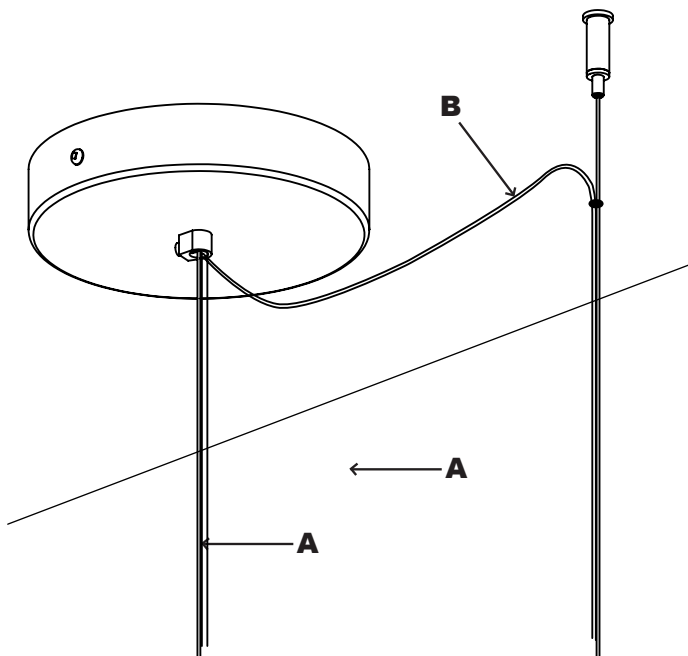
Coax runs into canopy



## MULTIPLE FIXTURES CANOPY CONNECTION

**A** Coax runs into canopy

**B** Second coax runs up to ceiling and drops over to enter power feed canopy

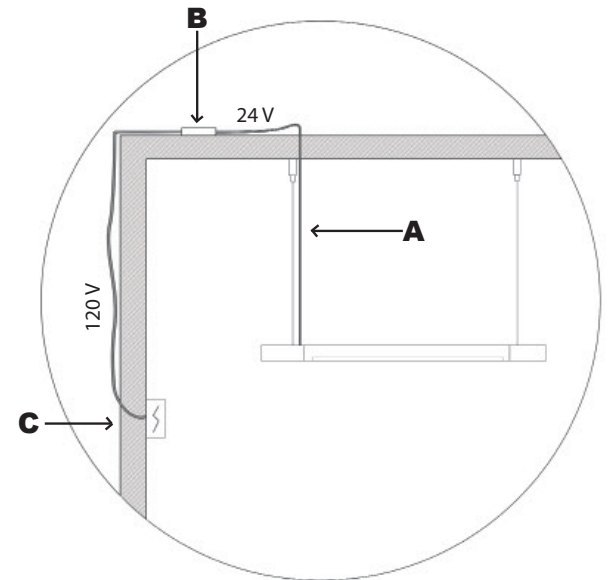


## SINGLE FIXTURE CONNECTION INTO REMOTE DRIVER

**A** Coax from fixture runs up into ceiling to connect to remote driver (B)

**B** Remote driver (supplied w/ fixture) installed in ceiling

**C** Remote driver connects to power supply



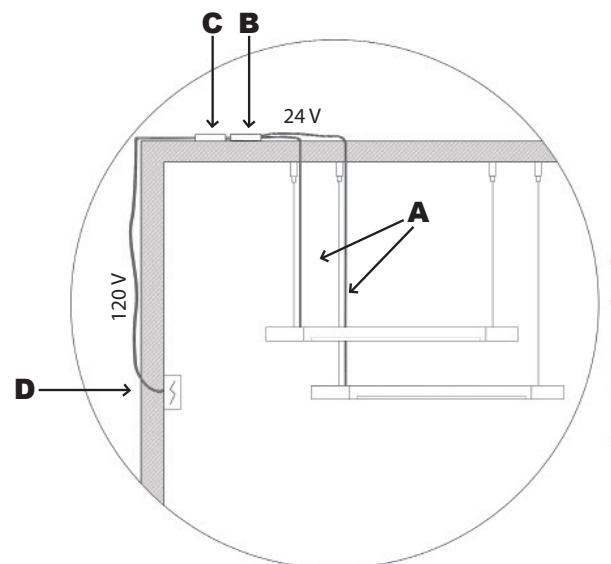
## MULTIPLE FIXTURES INTO REMOTE DRIVER

**A** Coax from multiple fixtures runs up into ceiling to connect to remote driver (B)

**B** Remote driver (supplied w/ fixture) installed in ceiling

**C** Remote driver (B) connects to remote driver (C)

**D** Remote driver (C) connects to power supply



# dimensions + installation

## PENDANT GRIPPER ASSEMBLY

