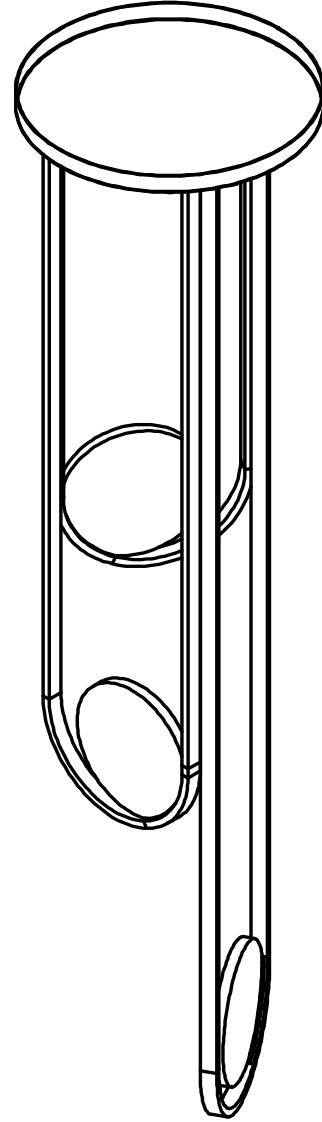


**hollis+morris**

**ellipse  
chandelier**

product installation + specifications



# ellipse chandelier

product code:  
ELPSchandelier

**materials:**

- + metal
- + frosted acrylic

**finish:**

- + powder coated or plated steel

**input:**

- + 120V 50/60 Hz (Canada + US)

**driver:**

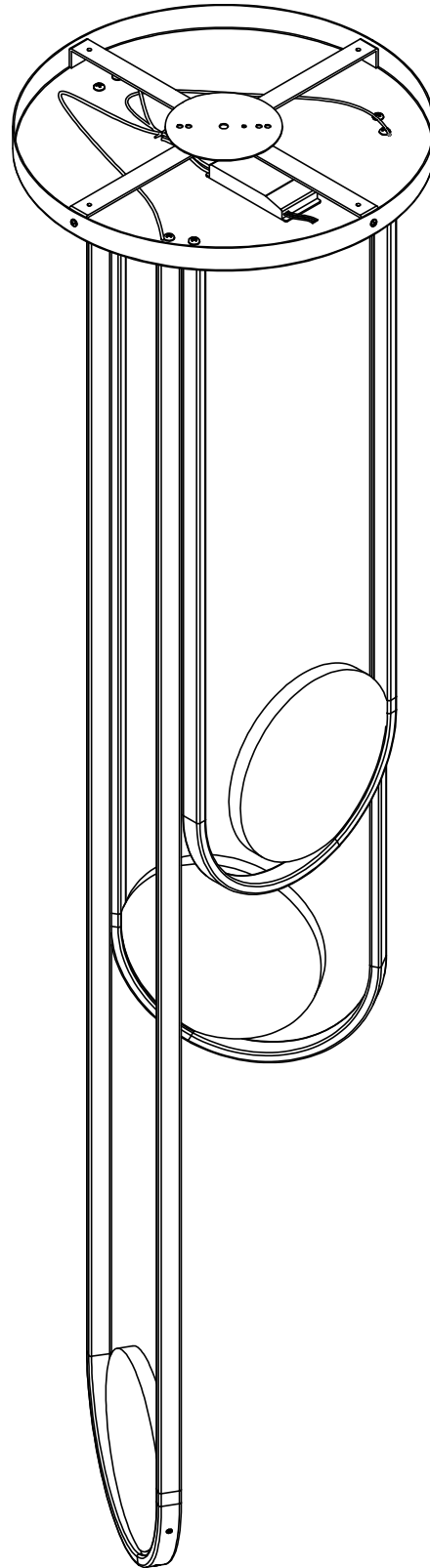
- + 24V phase dimmable driver
- + driver included with canopy
- + 277 VAC- 0-10V dimmable driver (upon request)

**output:**

- + 26.4 W
- + 450 lumens
- + 3000K with CRI of 95 or higher

**suspension:**

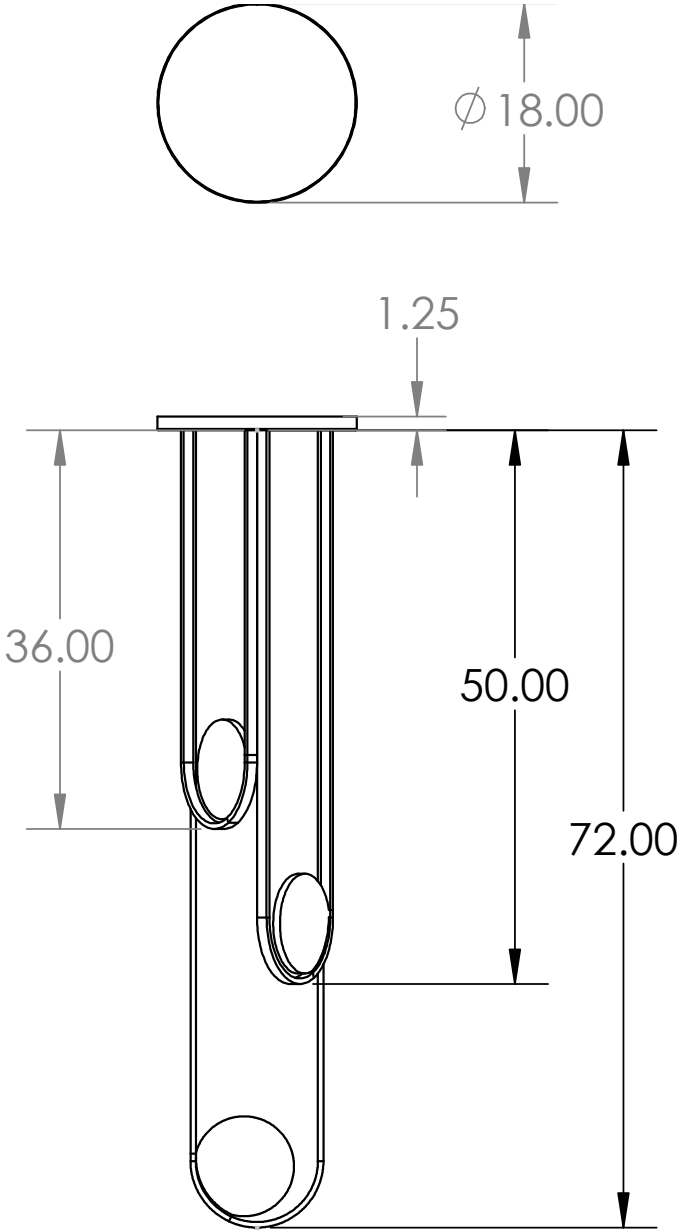
- + single canopy connection
- + canopy finish matches fixture



certification:

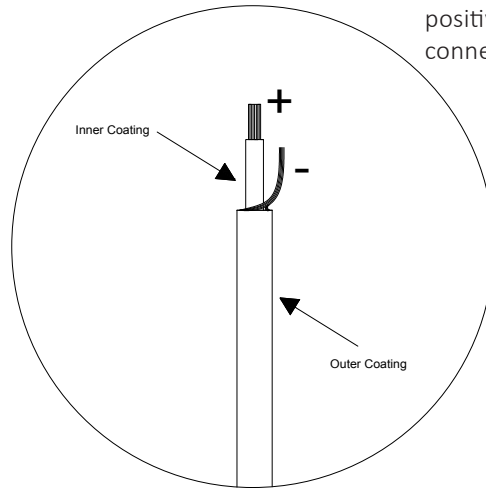
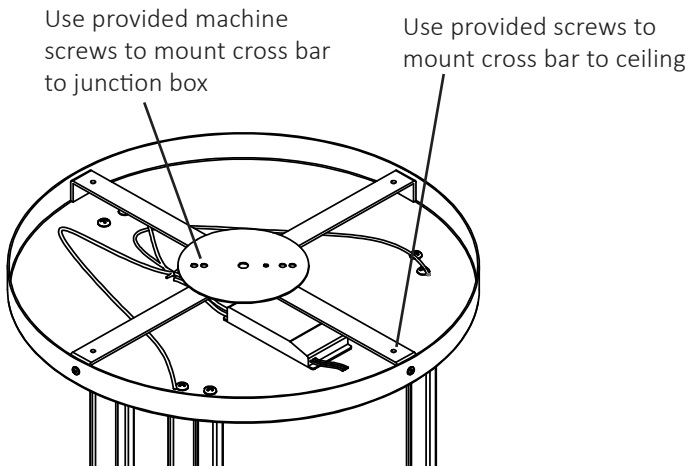


# dimensions + installation



# dimensions + installation

\*\*\* Power cable requires stripping of outer and inner coatings to access positive and negative connection wires



1. Locate desired canopy location on ceiling and mount bracket
2. Have a certified electrician connect the respective units to the driver and mount the driver within the canopy with double-sided tape before connecting said driver to 120V domestic power.
3. Securely mount canopy to ceiling bracket

