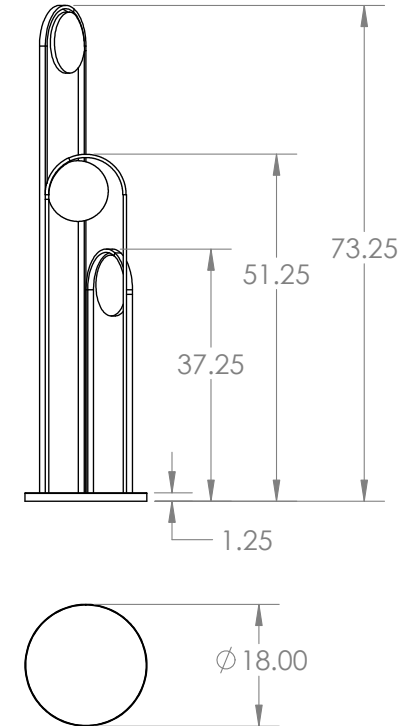


ELLIPSE Floor

The shape of the moon's orbit forms an ellipse around the earth. Three haloed discs represent the moon in its Gibbous phase as it enters and exits the Full Moon. Like the phases of the moon affect the tides by drawing earth's water towards it, the dynamic shape and form of the light draws your attention.

DIMENSIONS + ELEVATION VIEWS



PRODUCT DETAILS



MATERIALS

- Metal
- 24V LED
- Frosted Acrylic

COLOR TEMP

- 3000K
- *Custom upon request

POWER CONSUMPTION

- 26.4 W

OUTPUT

- 450 lumens

DRIVER + DIMMING TYPE

- 24V Plug in Driver
- Magnitude CVD96R24DC
0-10V dimmable driver
(upon request)

FIXTURE WEIGHT

- 30 lbs

PRODUCT CODE

- ELPSfloor

METAL

- Brushed Brass
- Brushed Stainless Steel
- Brushed Copper

- Powder-coated White
- Powder-coated Black

DESIGN

2022

CERTIFICATION



ORDER SPECIFICATIONS

ELPSfloor	
-----------	--

MODEL

METAL