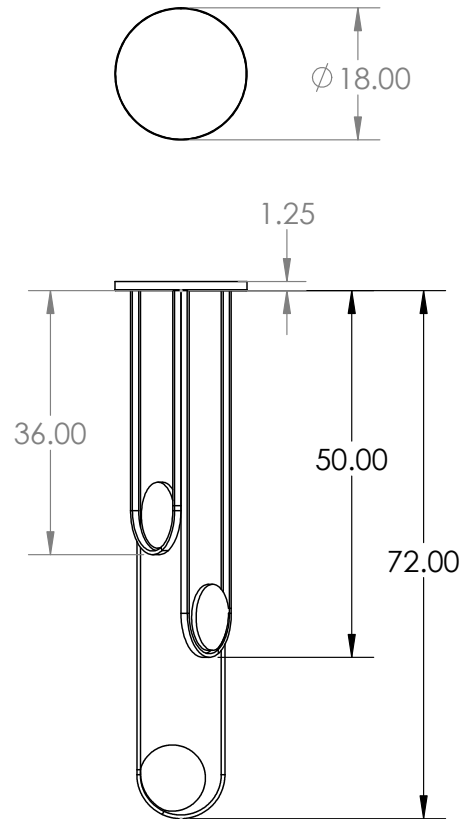


ELLIPSE Chandelier

The shape of the moon's orbit forms an ellipse around the earth. Three haloed discs represent the moon in its Gibbous phase as it enters and exits the Full Moon. Like the phases of the moon affect the tides by drawing earth's water towards it, the dynamic shape and form of the light draws your attention.

DIMENSIONS + ELEVATION VIEWS



PRODUCT DETAILS



DESIGN
2022

CERTIFICATION



MATERIALS

- Metal
- 24V LED
- Frosted Acrylic

COLOR TEMP

- 3000K
- *Custom upon request

POWER CONSUMPTION

- 26.4 W

OUTPUT

- 450 lumens

DRIVER + DIMMING TYPE

- Magnitude E40R24DC
24V phase dimmable driver
- Magnitude CVD96R24DC
0-10V dimmable driver
(upon request)

SUSPENSION + CANOPY

- Single canopy connection
- Canopy supplied with fixture
- Standard canopy finish: same finish as fixture
- *Custom finish available upon request.

FIXTURE WEIGHT

- 30 lbs

PRODUCT CODE

- ELPSchandelier

METAL

- Brushed Brass
- Brushed Stainless Steel
- Brushed Copper

- Powder-coated White
- Powder-coated Black

ORDER SPECIFICATIONS

ELPSchandelier	
----------------	--

MODEL

METAL