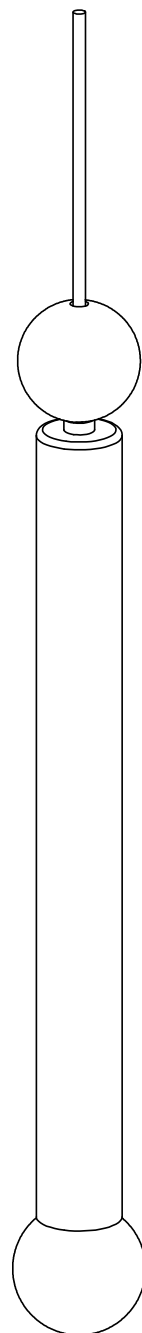


hollis+morris

constellation
pendant

product installation + specifications



constellation pendant

product code:

CONSpendant

materials:

- + solid wood
- + hand blown glass
- + metal
- + fabric covered power cord
- +G9 LED light bulb

finish:

- + hardwax oil
- + powder coated or plated steel

input:

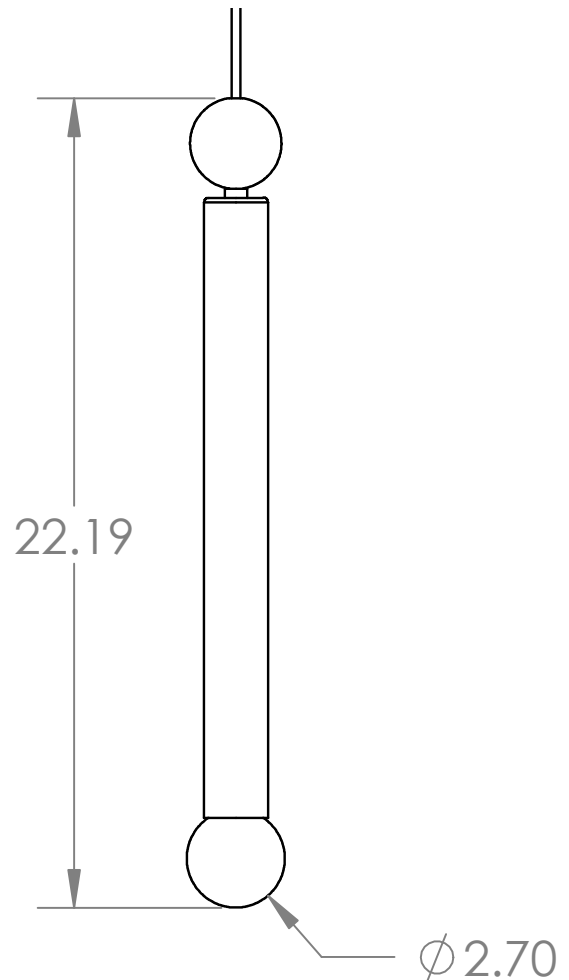
- + 120V 50/60 Hz (Canada + US)

output:

- + 4.5 W
- + 450 lumens
- + 3000K with CRI of 95 or higher

suspension:

- + cord length: 10' standard
(custom lengths available)
- + single point suspension
- + single canopy connection



certification:

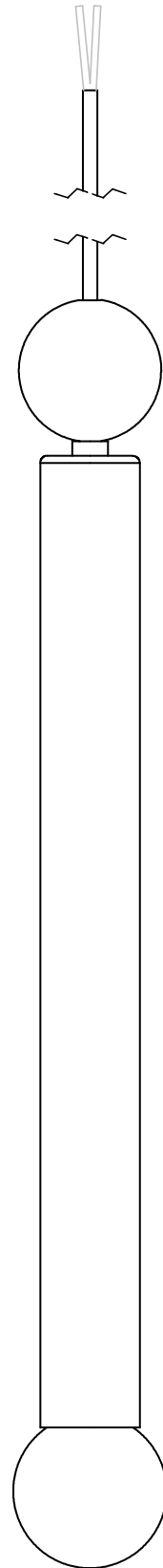
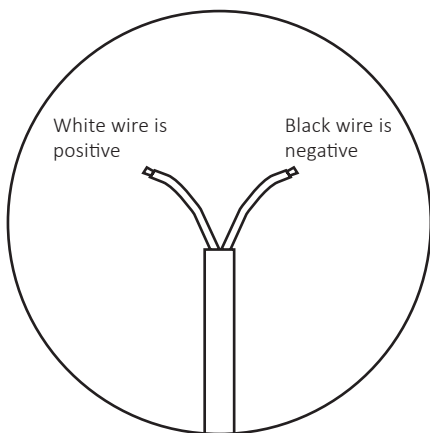


dimensions + installation

CANOPY CONNECTION

1. Locate desired canopy location on ceiling.
2. Connect fabric covered suspension cable from fixture to the cable gripper on the canopy.
3. Have a certified electrician connect +/- leads of suspension cable to 120 V domestic power.
4. Secure all connections.
5. Adjust all cables to desired heights (standard x length max. = 120")

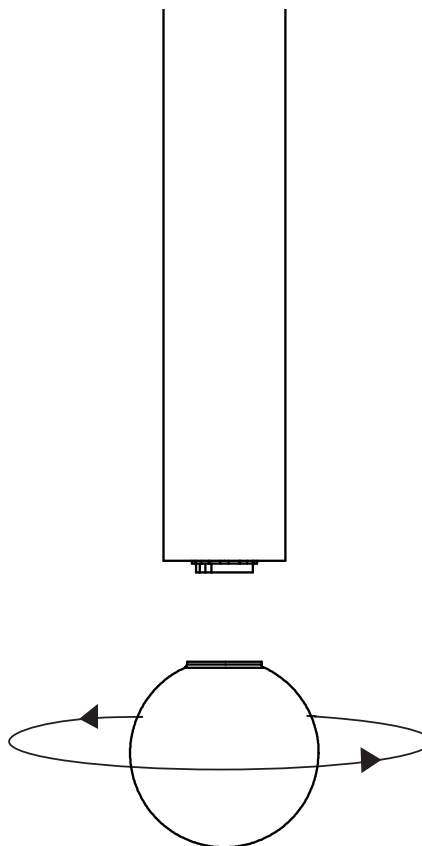
*** POWER CABLE



hardware installation

BULB REPLACEMENT

1. Unscrew glass from wood top
2. Insert new G9 LED bulb into socket
3. Screw glass onto wood top



CANOPY DIMENSIONS

