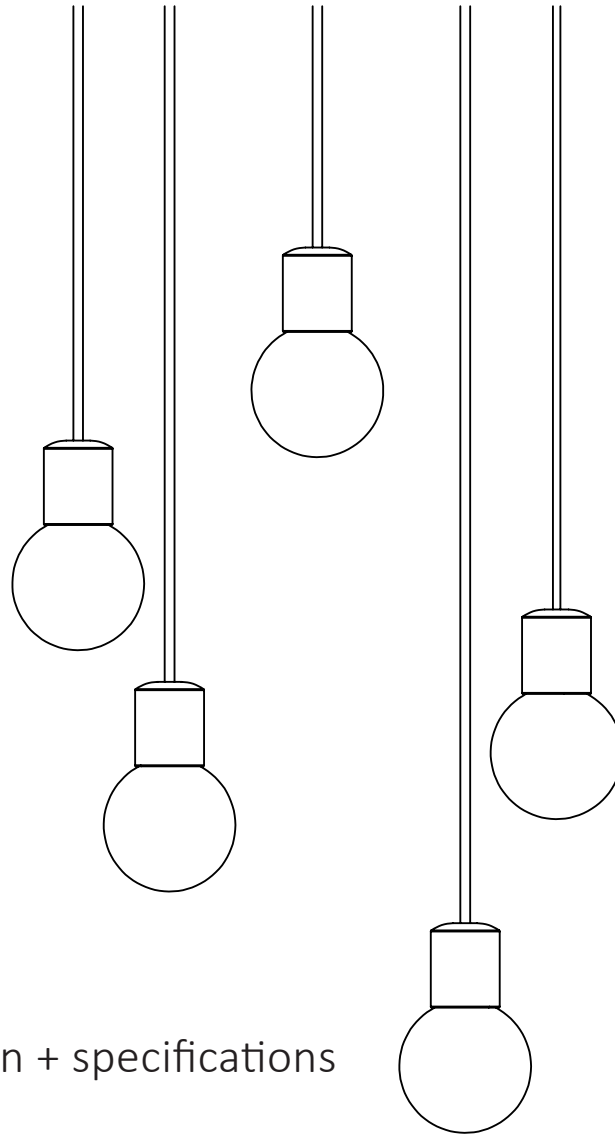


hollis+morris

**catkin
pendant**

product installation + specifications



catkin pendant

product code:
CATKpendant

materials:

- + solid wood
- + hand blown glass
- + fabric covered power cord

finish:

- + hardwax oil

input:

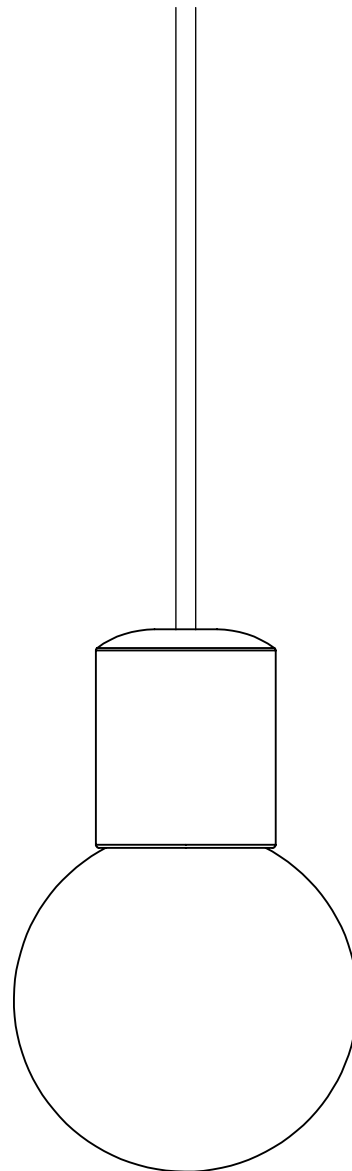
- + 120V 50/60 Hz (Canada + US)

output:

- + 4.5 W
- + 450 lumens
- + 3000K with CRI of 95 or higher

suspension:

- + cord length: 10' standard
(custom lengths available)
- + single point suspension (per fixture)
- + single canopy connection



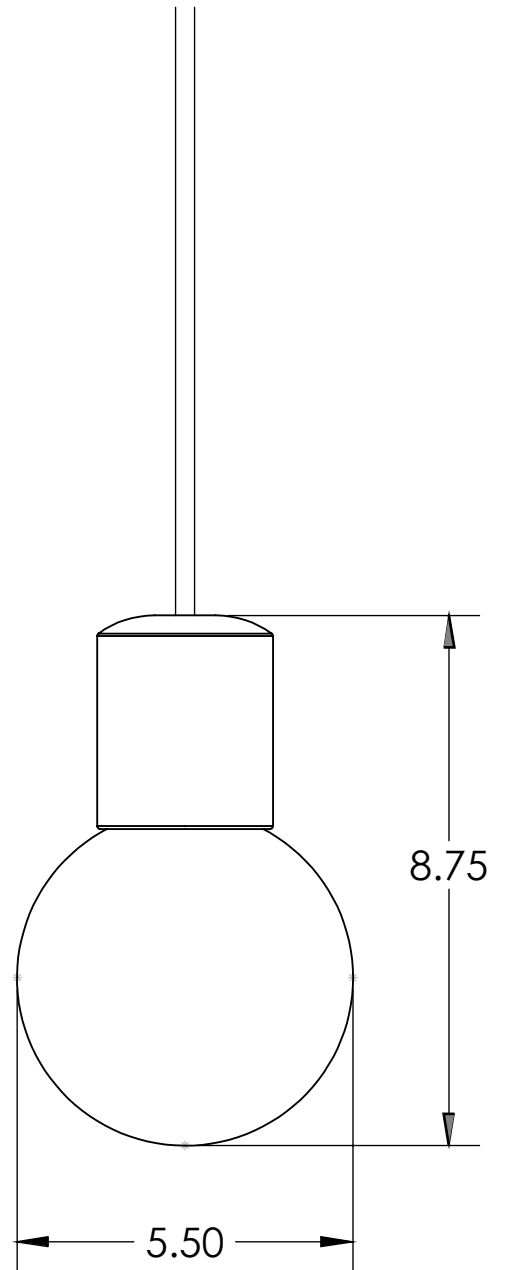
certification:



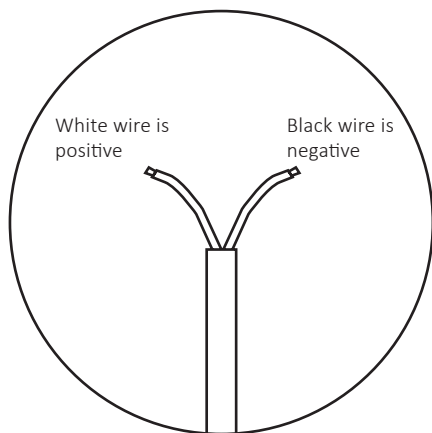
dimensions + installation

ELEVATION VIEW- CANOPY CONNECTION

1. Locate desired canopy location on ceiling & have a certified electrician supply and install to 120V power
2. Connect cloth covered suspension cable from fixture to canopy as illustrated on the right.
3. Feed insulated power line into canopy as illustrated on the right.
4. Connect +/- leads.
5. Secure all connections.
6. Adjust all cables to desired heights (standard x length max. = 120")



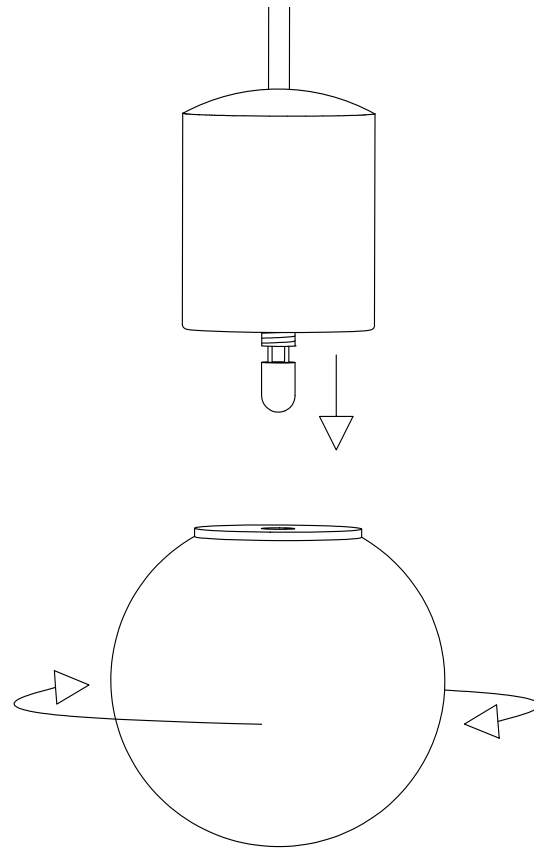
*** POWER CABLE



dimensions + installation

BULB REPLACEMENT

1. Unscrew glass shade from wood top
2. Remove G9 LED bulb from socket
3. Push new G9 LED bulb into socket
4. Screw glass shade onto wood top



CANOPY DIMENSIONS

