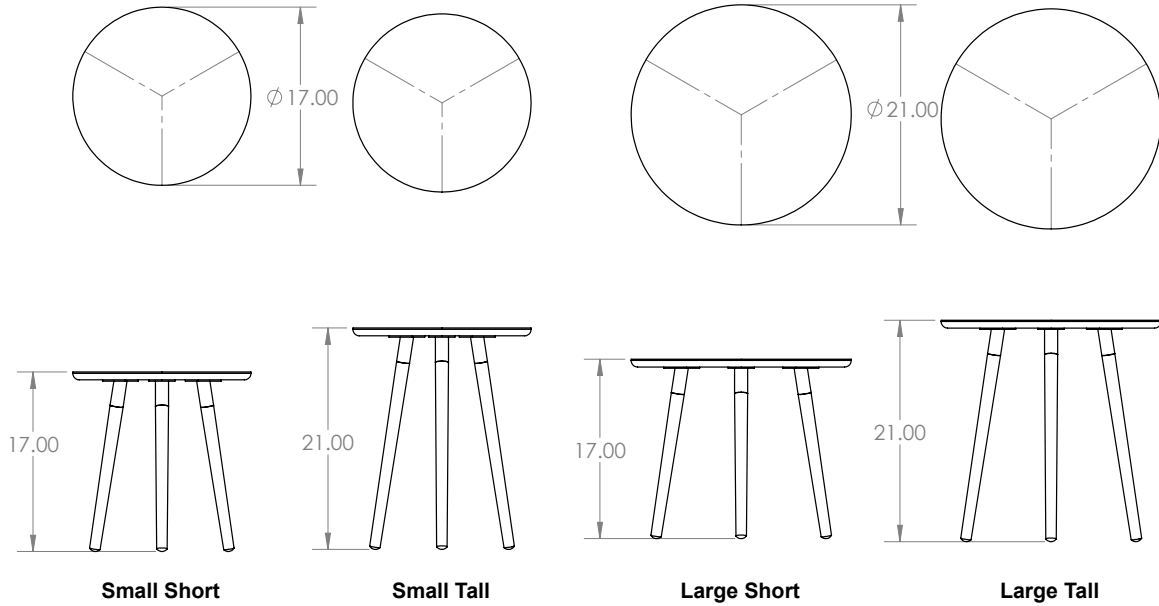


CRESCENTTOWN side table

In the inaugural piece of the hollis+morris portfolio, Crescenttown's playful, off-axis legs delight in a trio. Cold-rolled steels replaces the essential joineries of the solid wood table, emphasizing these moments of connection and meditating on the piece as a design object in a rich history of woodworking.

DIMENSIONS + ELEVATION VIEWS



PRODUCT DETAILS



MATERIALS

- Solid Wood
- Metal

FINISH

- Hardwax Oil Finish

SIZE

- Small short
- Small tall
- Large short
- Large tall

PRODUCT CODE

- CRESSide

WOOD

- W. Oak White
- W. Oak Natural
- W. Oak Black
- Walnut

METAL

- Powder-Coated Black
- Powder-Coated White

- Plating finishes upon request*

DESIGN

2014

ORDER SPECIFICATIONS

CRESSide			
MODEL	SIZE	WOOD	METAL