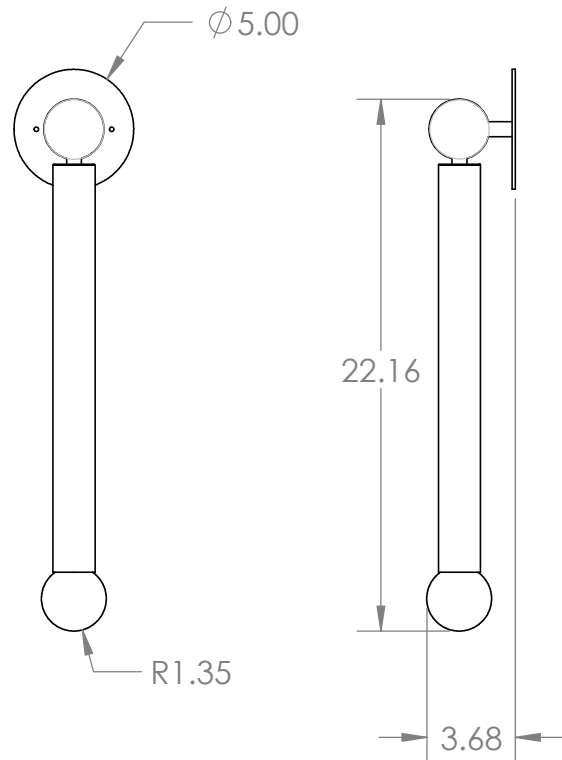


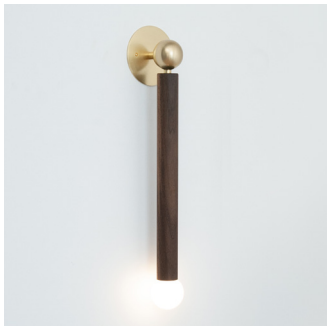
CONSTELLATION Sconce

The Constellation sconce and pendant continues to explore hollis+morris' use of solid wood and simple geometric shapes. Everpresent in the night sky, constellations have been interpreted for navigation and celestial lore alike. The single metal sphere balanced below by a matching glass orb begins your custom solar constellation.

DIMENSIONS + ELEVATION VIEWS



PRODUCT DETAILS



MATERIALS

- Solid Wood
- Hand Blown Glass
- Metal
- G9 LED bulb
- Cloth Covered Power Cord

FINISH

- Hardwax Oil Finish

COLOR TEMP

- 3000K
- *Custom upon request

POWER CONSUMPTION

- 4.5 W

INPUT

- 120V 50/60Hz (Canada + US)

OUTPUT

- 450 Lumens

DIMMING

- Dimmable (contact for specifications)

SUSPENSION + CANOPY

- Single point suspension (per fixture)
- Single canopy connection

MOUNTING

- junction box connection
- Surface mount canopy or remote driver capability
- *Custom finish available upon request

FIXTURE WEIGHT

- 7 lbs

PRODUCT CODE

- CONSSconce

METAL

- Brushed Brass
- Brushed Stainless Steel
- Brushed Copper

- Powder-coated White
- Powder-coated Black

WOOD

- W. Oak White
- W. Oak Natural
- W. Oak Black
- Walnut

DESIGN

2022

CERTIFICATION



ORDER SPECIFICATIONS

CONSSconce		
MODEL	METAL	WOOD