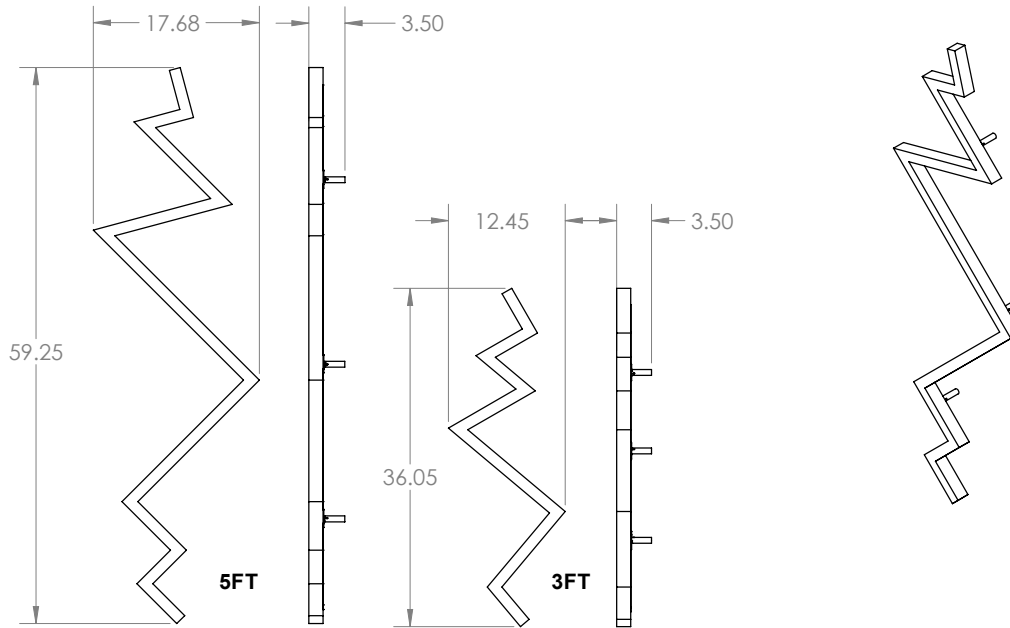


BOLT Sconce

Nature's most awe-inspiring display of light reimagined in the form of a highly sculptural pendant. A series of twists and turns create Bolt's devious silhouette — powered by custom components that allow a single LED lightsource to turn corners. Of course, these strong lines are contrasted by their natural opposition: the lamp's soft, boundless glow.

DIMENSIONS + ELEVATION VIEWS



PRODUCT DETAILS



DESIGN
2014

CERTIFICATION



MATERIALS

- Solid Wood
- 24V LED
- Suspension hardware

FINISH

- Hardwax Oil Finish

COLOR TEMP

- 3000K
- *Custom upon request

POWER CONSUMPTION

- 19.5W/metre
- 3ft: 50W, 5ft: 75W

OUTPUT

- 158 lumens/ft
- 3ft: 3900lm, 5ft: 5700lm
- Equivalent incandescent 75-100W

DRIVER + DIMMING TYPE

- Magnitude E75R24DC
24V phase dimmable driver
- Magnitude CVD96R24DC
0-10V dimmable driver
(upon request)

SUSPENSION + CANOPY

- 3 point suspension (per fixture)
- Single canopy connection
- Surface mount canopy or remote driver capability

- Canopy supplied with fixture
- Standard canopy finish: ceiling white
- *Custom finish available upon request

FIXTURE WEIGHT

- 3ft: 3lbs
- 5ft: 5.5lbs

PRODUCT CODE

- BOLTsconce

SIZE

- 3ft
- 5ft

WOOD

- W. Oak White
- W. Oak Natural
- W. Oak Black
- Walnut

ORDER SPECIFICATIONS

BOLTsconce		
------------	--	--

MODEL

SIZE

WOOD