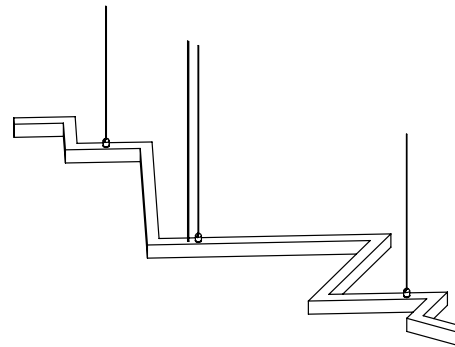
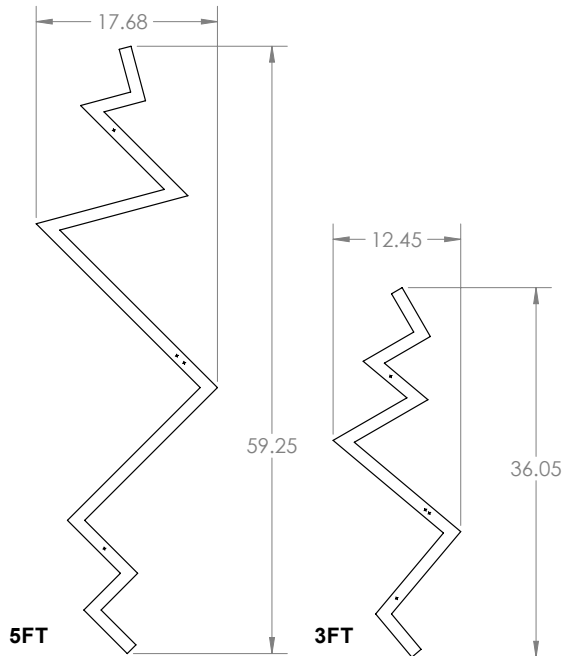


# BOLT Pendant

Nature's most awe-inspiring display of light reimagined in the form of a highly sculptural pendant. A series of twists and turns create Bolt's devious silhouette — powered by custom components that allow a single LED lightsource to turn corners. Of course, these strong lines are contrasted by their natural opposition: the lamp's soft, boundless glow.

## DIMENSIONS + ELEVATION VIEWS



## PRODUCT DETAILS



### MATERIALS

- Solid Wood
- 24V LED
- Suspension hardware

### FINISH

- Hardwax Oil Finish

### COLOR TEMP

- 3000K
- \*Custom upon request

### POWER CONSUMPTION

- 19.5W/metre
- 3ft: 50W, 5ft: 75W

### OUTPUT

- 158 lumens/ft
- 3ft: 3900lm, 5ft: 5700lm
- Equivalent incandescent 75-100W

### DRIVER + DIMMING TYPE

- Magnitude E75R24DC  
24V phase dimmable driver
- Magnitude CVD96R24DC  
0-10V dimmable driver  
(upon request)

### SUSPENSION + CANOPY

- 3 point suspension (per fixture)
- Single canopy connection
- 10' cord length power cable
- \*Custom lengths upon request

- Canopy supplied with fixture
- Standard canopy finish: ceiling white
- \*Custom finish available upon request

### FIXTURE WEIGHT

- 3ft: 3lbs
- 5ft: 5.5lbs

### PRODUCT CODE

- BOLTpendant

### SIZE

- 3ft
- 5ft

### WOOD

- W. Oak White
- W. Oak Natural
- W. Oak Black
- Walnut

### DESIGN

2014

### CERTIFICATION



## ORDER SPECIFICATIONS

BOLTpendant		
-------------	--	--

MODEL

SIZE

WOOD