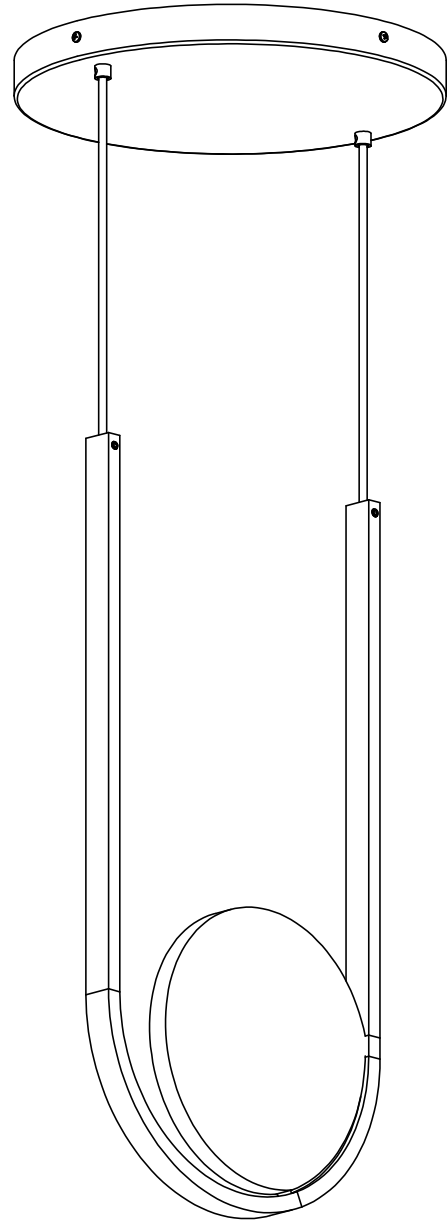


hollis+morris

apogee pendant

product installation + specifications



apogee pendant

product code:
APOGpendant

materials:

- + metal
- + frosted acrylic
- + fabric covered cord

finish:

- + powder coated or plated steel

input:

- + 120V 50/60 Hz (Canada + US)

driver:

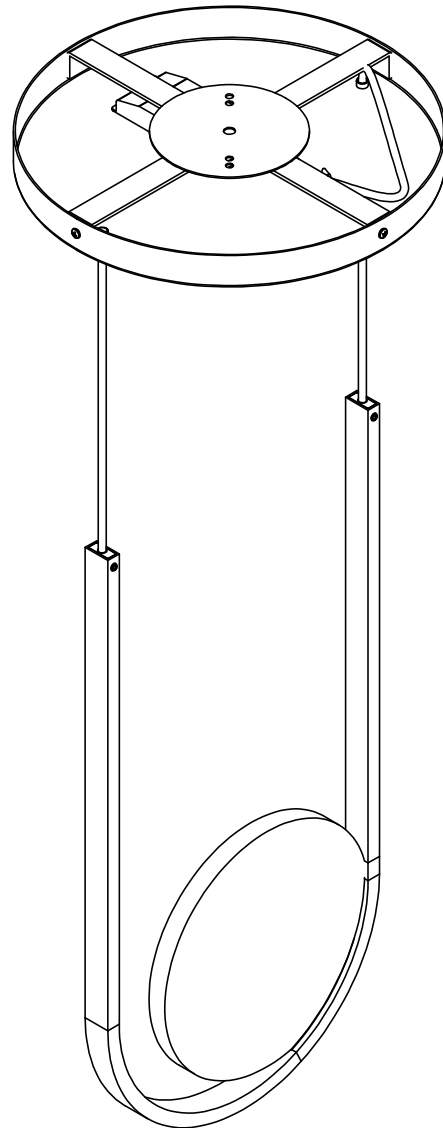
- + 24V phase dimmable driver
- + driver included with canopy
- + 277 VAC- 0-10V dimmable driver available upon request

output:

- + 8.8 W
- + 150 lumens
- + 3000K with CRI of 95 or higher

suspension:

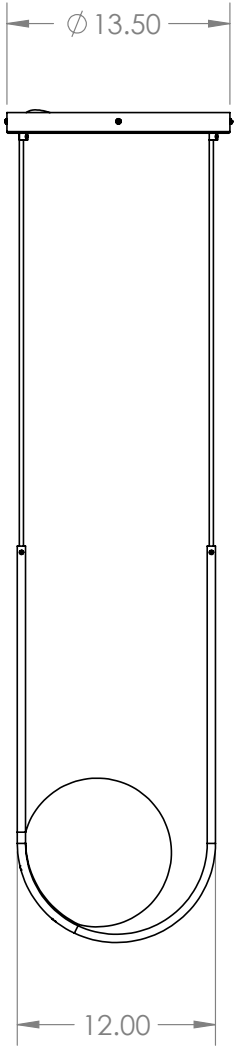
- + cord length: 5' standard (custom lengths available)
- + 2-point suspension (per fixture)
- + single canopy connection
- + canopy supplied with fixture



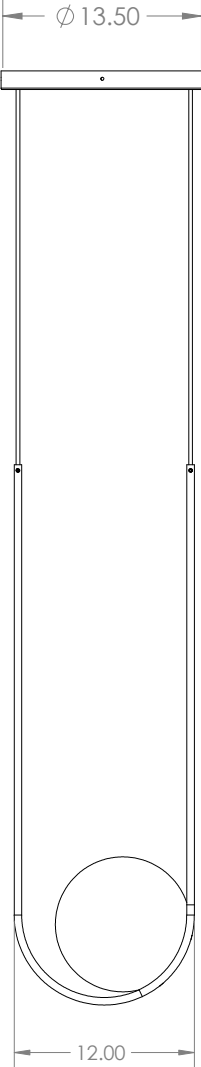
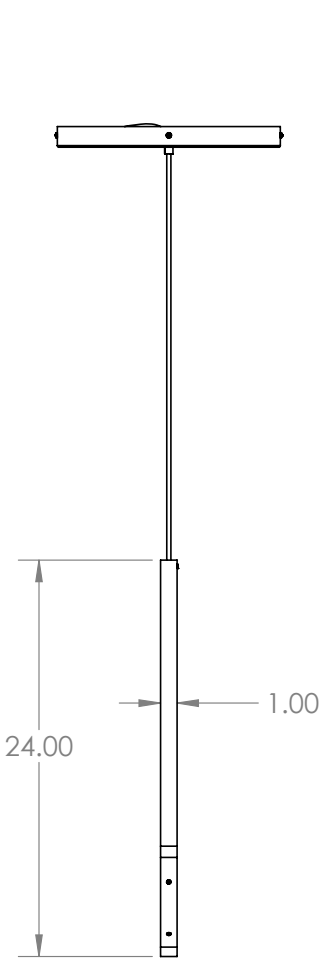
certification:



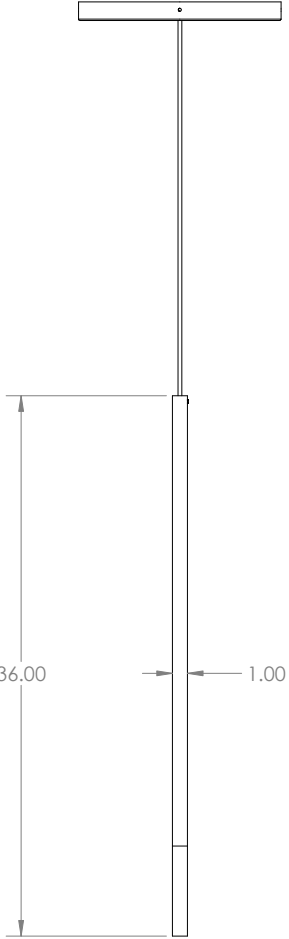
dimensions + installation



Short

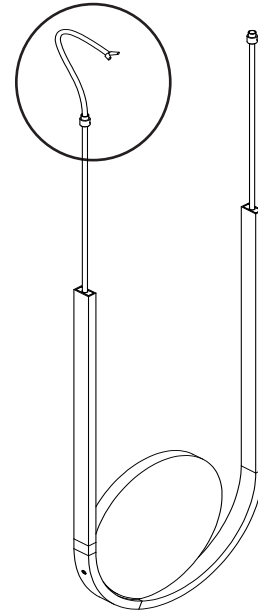
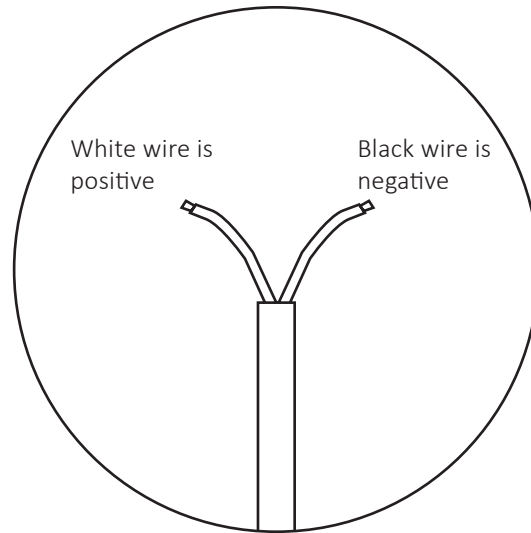


Long



dimensions + installation

Only one labeled cable with
ends pre-stripped connects
to power



1. Locate desired canopy location on ceiling & have a certified electrician connect driver to 120V domestic power.
2. Connect suspension cable from fixture to canopy as illustrated below.
3. Feed fabric covered power line into canopy as illustrated below.
4. Connect +/- leads to 24V transformer inside canopy.
5. Secure all connections.
6. Adjust all cables to desired heights (standard x length max. = 144")

