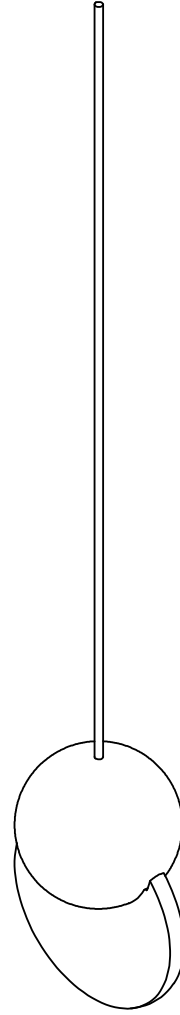


**hollis+morris**

**anchor  
pendant**

product installation + specifications



# anchor pendant

## product code:

ACHRpendant

## materials:

- + solid wood
- + frosted acrylic
- + 24V LED extrusion
- + fabric covered power cord

## finish:

- + hardwax oil

## input:

- + 120V 50/60 Hz (Canada + US)

## driver:

- + 24V phase dimmable driver
- + driver included with canopy
- + 277 VAC- 0-10V dimmable driver available upon request

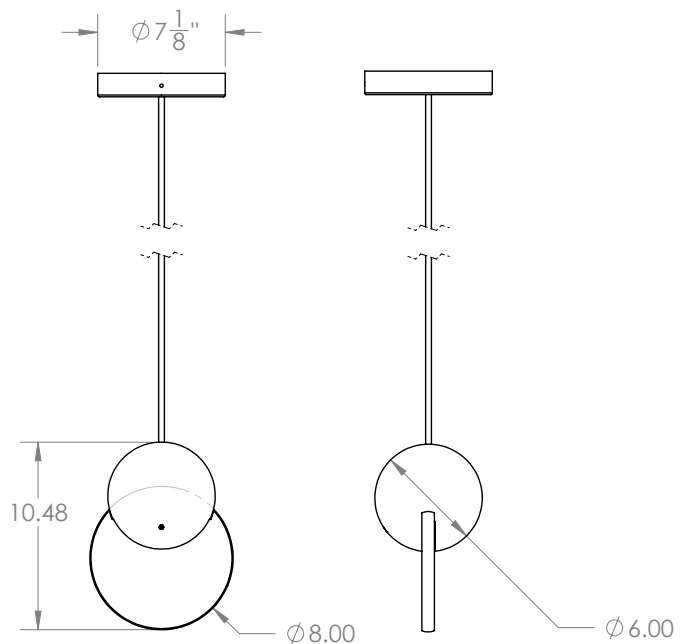
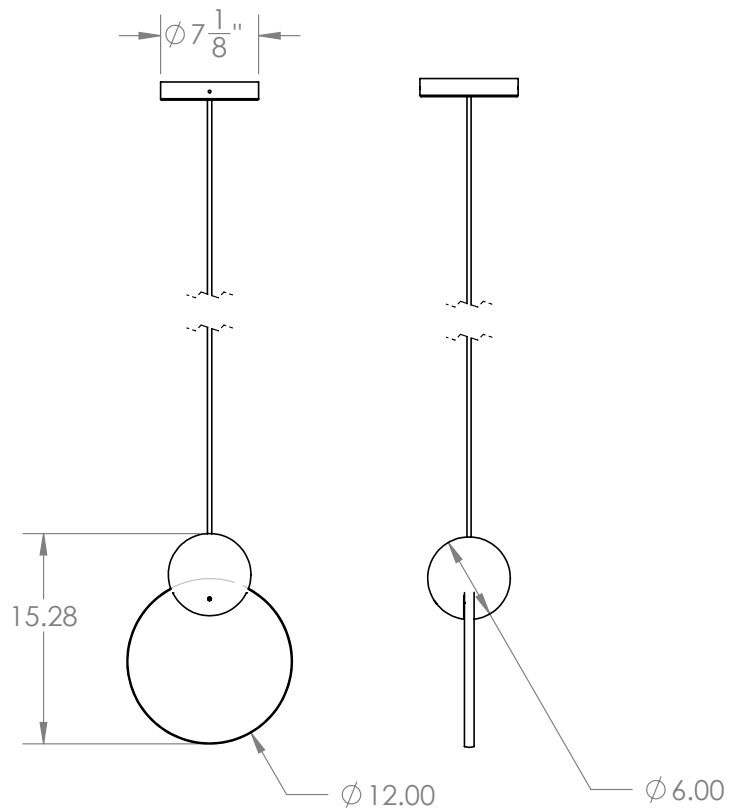
## output:

- + 2W
- + 133 lumens
- + 3000K with CRI of 95 or higher

## suspension:

- + cord length: 10' standard (custom lengths available)
- + 1-point suspension
- + single canopy connection

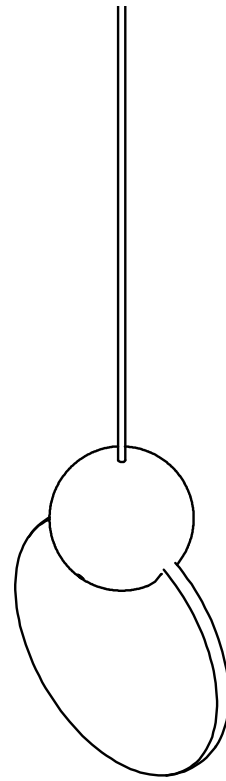
## certification:



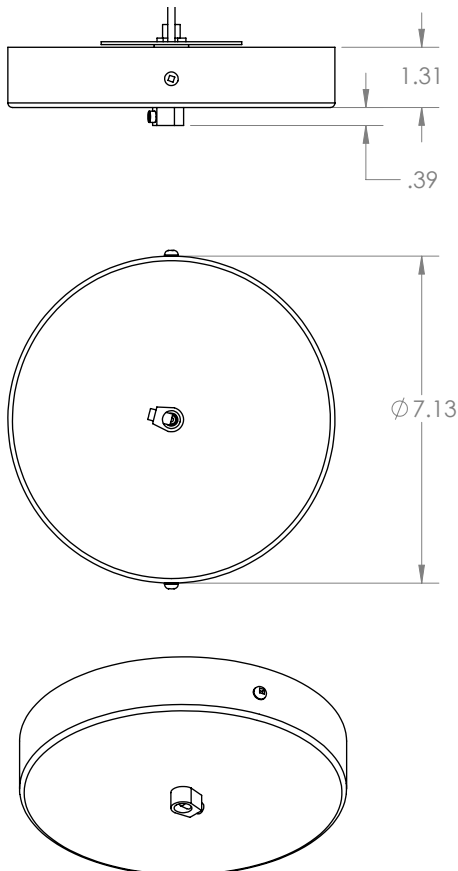
# dimensions + installation

## CANOPY CONNECTION

1. Locate desired canopy location on ceiling.
2. Connect fabric covered suspension cable from fixture to the cable gripper on the canopy.
3. Have a certified electrician connect +/- leads of suspension cable to the supplied driver and said driver to 120 V domestic power.
4. Secure all connections.
5. Adjust all cables to desired heights (standard x length max. = 120")



## CANOPY DIMENSIONS



## 0-10 CANOPY DIMENSIONS (UPON REQUEST)

