

Peg-Pérego

USA

EN Instructions for use
FIUS17011239

Viaggio

SHUTTLE



WARNING:

- Do not install or use this booster seat until you read and understand all the instructions in this manual and the labels. To avoid serious injuries to your child, follow the instructions carefully. Keep the instruction manual in the dedicated pocket for future reference.

Weight limits:
40 – 120 lbs
(18 – 54 kg)

Height limits:
39 - 63 inches
(99 – 160 cm)

Table of Contents

Introduction.....	3
⚠ Warning	5
Safety information	7
Registration form	8
Your booster seat	9
Rigid Latch.....	10
Product components.....	11
Vehicle seatbelts design and compatibility	11
Vehicle seat design and compatibility	15
Installing the booster seat in the vehicle	16
Securing your child in the booster seat	21
How to use the shoulder clip.....	23
Cleaning and maintenance	26
Transport.....	29
Serial number.....	30
Replacement Parts.....	30

Introduction

Thank you for choosing the Peg-Perego Viaggio Shuttle 120 booster seat. As with all Peg-Perego products, your Viaggio Shuttle 120 has been designed and certified by a dedicated team of engineers inside Peg-Perego's research and development department. It has been manufactured and assembled in a Peg-Perego plant under certified quality procedures and using high quality materials from certified suppliers. As with all booster seats, the Viaggio Shuttle 120 is designed to be used with a child inside a vehicle.

We encourage you to use the Viaggio Shuttle 120 with the utmost concern by driving carefully when a child is on board and by taking your time to explore the product to get to know all of the features, different possible uses and the best and proper installations. Please read through the manual in its entirety with the product in sight. This will allow for checking every point on the product and thoroughly understanding it. Install the Viaggio Shuttle 120 in your vehicle by taking the necessary time and making fitting trials before using it with your child. Once the manual has been read, store it under the base of the Viaggio

Introduction

Shuttle 120 to ensure that anyone else using the seat will be able to access it for help.

Should you see any malfunctioning feature or broken parts, please do not hesitate to call Peg-Perego Customer Service @ 1-800-671-1701 for help. Now that you are familiar with your new Viaggio Shuttle 120, you are ready to enjoy safe and happy journeys with your family.

Warning

- Do not install or use this booster seat until you read and understand all the instructions in this manual and the labels on the product. To avoid serious injuries to your child, follow the instructions carefully. Keep the instruction manual in the base for future reference.
- Your child could be seriously injured if you do not follow instructions and warning labels correctly.
- Use only the vehicle's lap and shoulder belt system when restraining the child in this booster seat. Snugly adjust the belt around child's body making sure that the belt lies flat with no slack.
- This booster seat meets or exceeds all applicable Federal Motor Vehicle Safety Standard 213 requirements for use in motor vehicles. This restraint is NOT certified for aircraft use since aircraft seats are normally equipped with lap belt only.
- Not all available models of seatbelts are approved for use with this product. Refer to the dedicated section in this manual for further details.
- Viaggio Shuttle 120 can be secured to your vehicle by means of lower universal anchorage system (LATCH) for added stability. Refer to the dedicated section in this manual for installation details and check your vehicle owner's manual for further details.
- This booster seat is designed to be installed on front

Warning

facing vehicle seats only. Never use on seats looking sideways or rearward facing. Do not use in cars with door-mounted or motorized shoulder belts. Read your vehicle owner's manual for additional information.

- According to accident statistics, children are safer when properly restrained in the rear seating positions than in the front seating positions.
- Complete and send in the registration form provided with this product right away. In case of an accident: if this car seat is involved in a car accident, it may be no longer safe for use. You may need to get a new unit. Call Peg-Perego Customer Service at 1-800-671-1701 (toll free) for information about repairs or spare parts.
- Seat covers and pads provided in this product are part of the product and the certification program. The use of non approved covers or other accessories are not recommended.
- EPS components (white soft foam located below the upholstered covers) are integrated in the product as safety related parts and should never be removed or damaged.
- Secure this booster seat in the car even when not occupied. This car seat is a heavy object that could cause severe damage to other occupants in case of an accident.
- Keep fingers away from moving parts.

Safety Information

- Use Viaggio Shuttle 120 in forward facing mode with children weighing in the range 40 – 120 lbs (18 – 54 kg) and whose height is between 39 and 63 inches (99 – 160 cm).
- When placing your child in the seat, make sure that bulky jackets or covers are removed. This will make the use of seatbelts safer as bulky jackets can negatively affect the snugness of the belts in a crash.
- Do not leave your child unattended in the vehicle, even for a short period. He/she could get tangled in the straps and be seriously injured or could move or tip the seat.
- Do not leave the booster seat under direct sunlight for a prolonged time. The seat may become very hot and burn your child's skin.
- When not in use, store the product in a proper place, away from light, moisture, excessive heat or cold.
- Do not place this car seat on countertops, tables or soft surfaces.
- Do not try to remove or add parts unless where explained in this manual; do not try to repair this product. In case of damaged or defective components, call customer service @ 1-800-671-1701 for help.
- Do not leave loose objects, bags or luggage in the vehicle interior. In case of an accident they could suddenly move causing the occupants to be injured.
- Do not use this unit after twelve (12) years from the date of production labelled on the seat.

Registration Form

Important! Child restraints could be recalled for safety reasons. You must register this restraint to be reached in a recall. Send your name, address and the restraint's model number and manufacturing date to:

**Peg-Perego U.S.A., Inc. 3625 Independence Drive
Fort Wayne, IN 46808 Or call 1-800-671-1701 (toll free)**

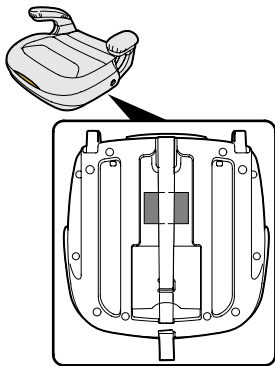
Or register online at

www.carseat-registration.pegperego.com

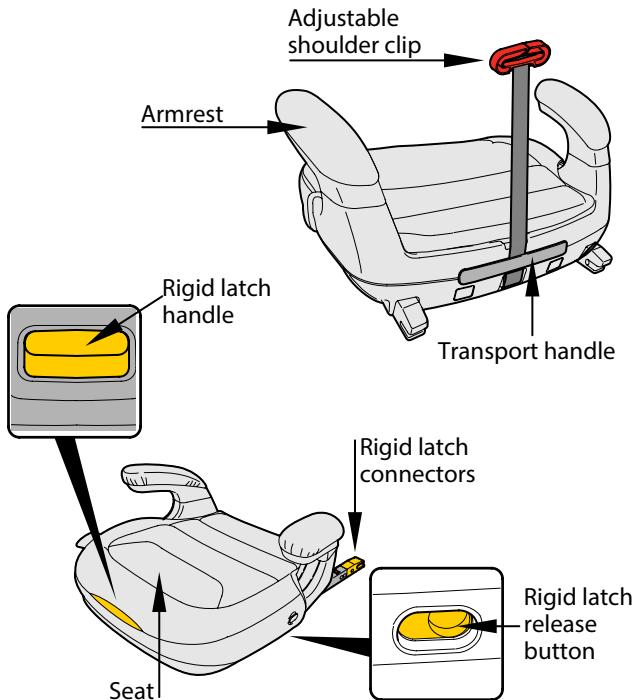
For recall information, call the U.S. Government's
Vehicle Safety Hotline at 1-888-327-4236

(TTY: 1-800-424-9153) Or go to <http://www.NHTSA.gov>

Model number, model name, date of manufacturing, etc. are indelibly printed on a label located under the seat base (as shown here). Registration form is attached to the product cover. Detach the form, fill in and mail to Peg-Perego. No stamp is needed. We have already paid for it. Should the registration form be missing, please call Customer Service @ 1-800-671-1701 for a replacement form.

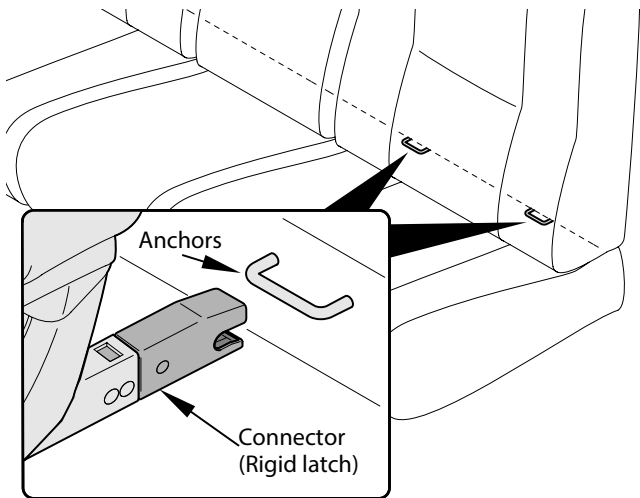


Your booster seat



Rigid Latch

Viaggio Shuttle 120 is equipped with rigid latch. The rigid latch interface is composed of two connectors, located in the integrated base of the child restraint and two anchors located at the joint line between the seat and backrest of the vehicle. The spacing between connectors corresponds to the spacing between the anchors in the vehicle.

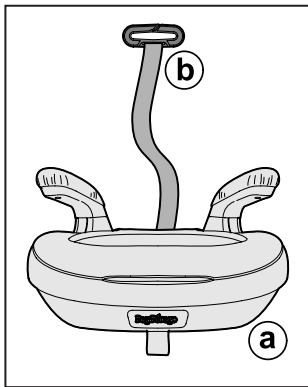


Product components

1. Always check the product prior to use. The product is composed of: seat with armrest and integrated Rigid Latch Base (fig_a), shoulder clip strap (fig_b).

The booster seat is ready for use: no assembly operation is required.

In case of missing or malfunctioning parts, please contact our Customer Service @ 1-800-671-1701 for help.



Vehicle seatbelts design and compatibility

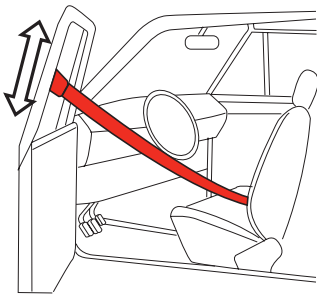
Viaggio Shuttle 120 is designed to be installed with lap and shoulder vehicle belts commonly fitted on most of the available cars. However, in the market there are several different types of vehicles manufactured in different periods. As a result, there are many different vehicle belt designs. Unfortunately, some may be unsuitable for a safe installation of Viaggio Shuttle 120. Please read carefully the list below and in case of problems or doubts, double check your vehicle owner's manual or call Peg-Perego Customer Service @ 1-800-671-1701 for additional help.

Vehicle seatbelts design and compatibility

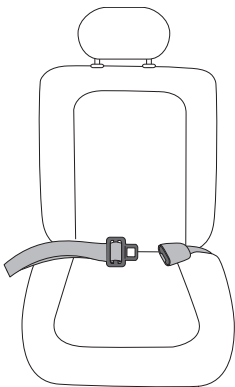
NON COMPATIBLE VEHICLE BELT DESIGNS

WARNING: do not use Viaggio Shuttle 120 with the following vehicle belt design:

1. Lap/motorized shoulder belts. Belts mounted on the door



2. Lap belt only of any kind.



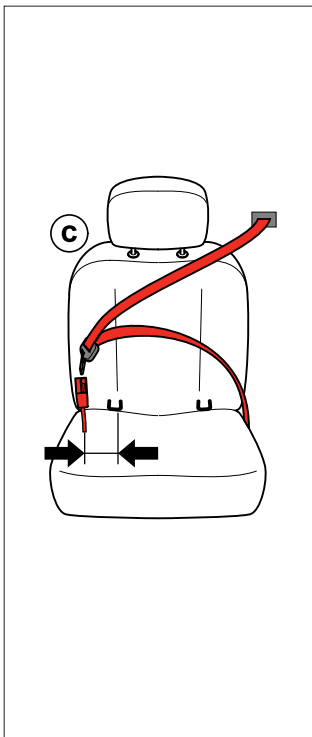
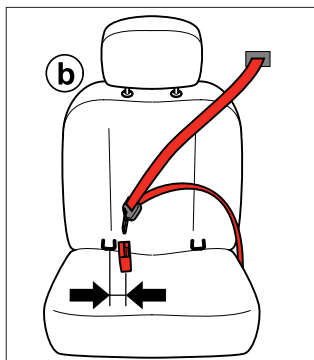
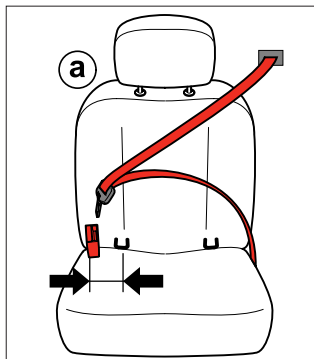
Vehicle seatbelts design and compatibility

Viaggio Shuttle 120 is a booster seat equipped with rigid latch. Although the rigid latch is used for added stability only, its use is recommended. When installing the seat, make sure that there is enough space between the attached seat and the vehicle belt buckle (fig_a). On certain vehicles, the buckle and the latch anchors may be close one to the other.

In the unlucky eventuality that they are too close (fig_b), or even overlapped, the contemporary use of vehicle seatbelts and rigid latch may be not possible; please refer to the vehicle owner's manual for a suitable installation position or contact Peg-Perego Customer Service @ 1-800-671-1701 for additional help.

In case your vehicle is equipped with flexible buckles, make sure that the buckle position allows for trouble free attachment of the vehicle seatbelt plate (fig_c).

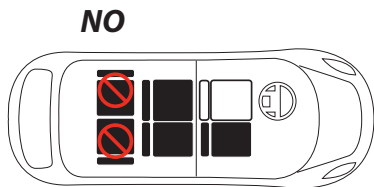
Vehicle seatbelts design and compatibility



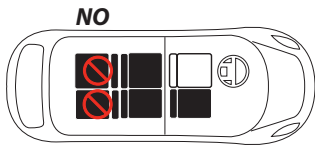
Vehicle seat design and compatibility

WARNING: do not use Viaggio Shuttle 120 with the following vehicle seat design:

1. Side facing seats



2. Rear facing seats or seats that rotate in different positions



For your child's safety, always read your vehicle owner's manual for further informations.

Installing the booster seat in the vehicle

How to attach the booster seat on vehicle seats equipped with latch anchors.

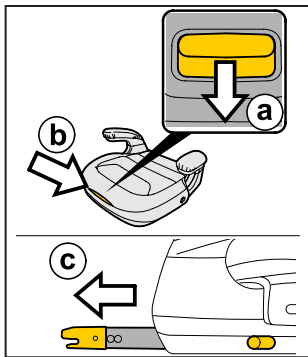
If your car is not fitted with latch positions, go to the next section. For further information on the availability of the anchors and their location, refer to the vehicle's instruction manual.

IMPORTANT NOTE: use of LATCH connectors is recommended by Peg-Perego to achieve the best stability of the product in case of sudden or steep turns. Also, using the LATCH will give guarantee that the product is located in the correct position with respect to the vehicle belt attachment points.

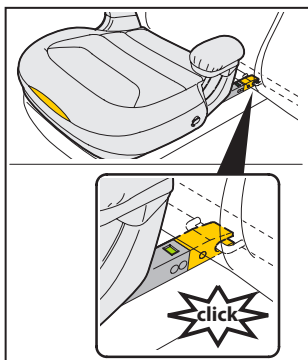
Use of latch does NOT replace the use of vehicle's seatbelt to restrain your child.

Installing the booster seat in the vehicle

1. To expose the connectors located inside the base, pull the handle (fig_a) that is found in the cover opening (fig_b). The connectors will be ejected (fig_c). Repeat to make sure they have been ejected fully and simultaneously.



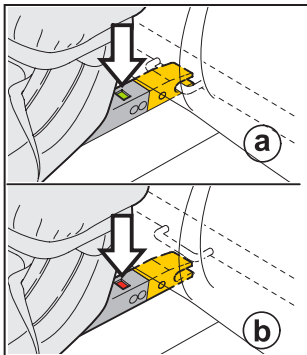
2. Attach the connectors to the vehicle seat anchors, ensuring they "click" into place.



Installing the booster seat in the vehicle

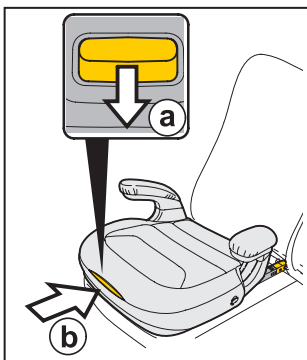
3. **⚠ IMPORTANT:**

The vehicle anchors and the booster seat connectors are correctly coupled when a green signal appears above the connectors (fig_a). A red signal indicates that the attachments have NOT been coupled correctly (fig_b).



4. After attaching the seat, pull the front handle again (fig_a) and, at the same time, push the car seat towards the vehicle's seat (fig_b), then release the handle.

By doing this the release buttons on the side of the base will disappear thus preventing inadvertent release.

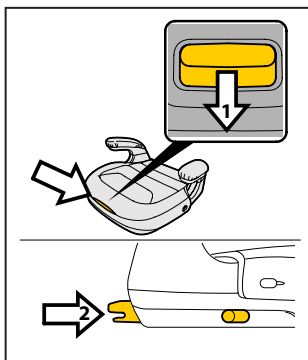


Installing the booster seat in the vehicle

5. To release Viaggio Shuttle 120 from the vehicle seat, pull the handle (1) and the seat until the release buttons on the side of the base are fully revealed. In so doing, the yellow release buttons will be visible on the sides of the base; pull the two buttons (2) until you hear the attachments click open. At this point you can remove the car seat.



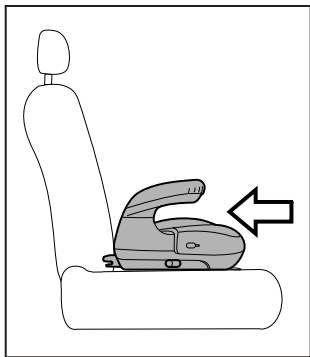
6. To reposition the connectors inside the base (when not in use), pull the lever once more (1) and simultaneously push one of the two connectors in (2) until they disappear.



Installing the booster seat in the vehicle

How to attach the booster seat on vehicle seats not equipped with latch anchor positions.

7. Place the Viaggio Shuttle 120 car seat on the vehicle seat in the direction of travel, leaving the connectors inside the base.



Securing your child in the booster seat

1. Position the child in the seat as shown in the picture, ensuring the booster seat does not move during this operation.



2. Secure your child with the vehicle seat belt as shown in the picture.



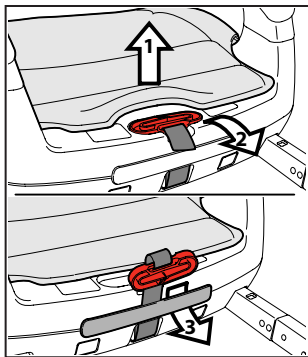
Securing your child in the booster seat

3. Fasten the vehicle seat belt, ensuring that it clicks in place. Position the two sections of the belt as shown in the picture.

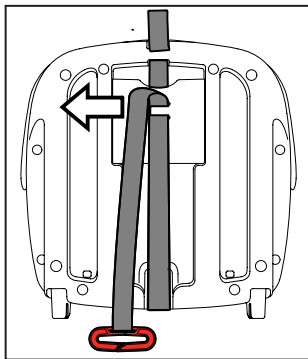


How to use the shoulder clip

1. To complete the installation process into the car, the adjustable shoulder clip can be used. To remove the clip from its location under the fabric of the seat, lift the rear portion of the cover (1), remove the clip from its housing (2) and pass through the handle (3).

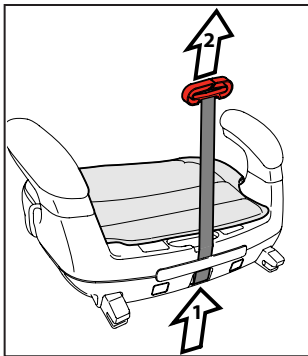


2. Remove the strap from under the car seat.



How to use the shoulder clip

3. Extend the shoulder clip strap by pressing the button located behind the booster seat (1) and pulling it upwards (2).

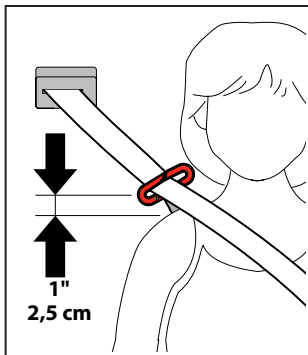


4. Insert the seat belt into the shoulder clip (picture detail), then lower the shoulder clip (1) by pulling the belt (2).



How to use the shoulder clip

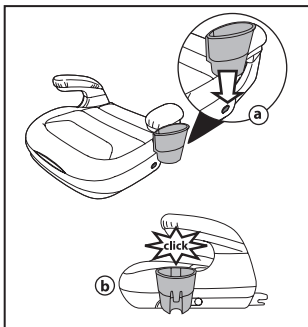
5. The correct height of the shoulder clip is just above the shoulder level 1" (2,5 cm).



Cup holders

The car seat comes with a cup holder. Place the cup holder on the mushroom button, present on either side of the seat (fig_a), and secure it in place (fig_b).

Never put hot drinks in cup holders (if any).



Cleaning and maintenance

Your booster seat requires a minimum of cleaning and maintenance. Do not clean with harsh products or solvents. Keep moving parts clean. In case, clean plastic parts with a damp cloth. Do not use water with harness and latching mechanisms. Protect the booster seat from extreme cold, water, rain and sun exposure. Prolonged exposures to these elements can change the colors in the material but also change their mechanical properties. Store the booster seat in a dry area if not used for long periods.

The upholstery is likely to be removed and cleaned frequently. Follow the procedure below to remove the fabric and reassemble it properly. Check the booster seat features before disassembly and make sure that the same features are still working once the booster seat is set up for use again. Extra care is required when removing padding to avoid breaking the white EPS panels on the booster seat.

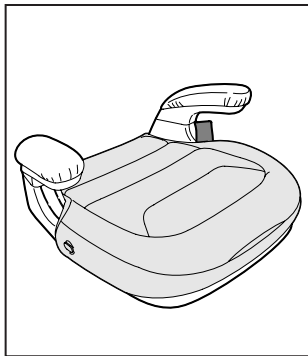
All the upholstered covers can be machine washed at 87° F (30° C).



Cleaning and maintenance

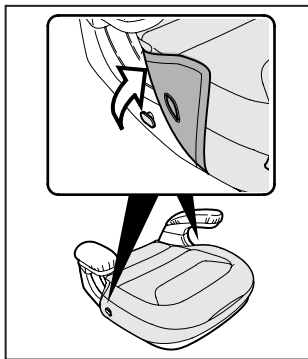
The upholstery of Viaggio Shuttle 120 may be removed for cleaning.

1. Follow the washing instructions on the seat lining.



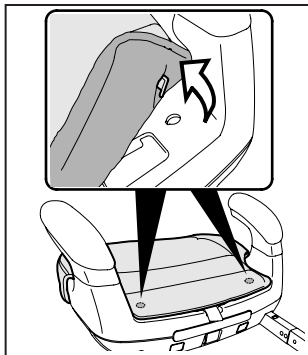
Removing the upholstery from the seat:

2. Unhook the two eyelets from the buttons on the sides of the booster seat base.



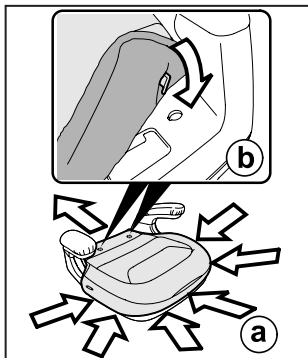
Cleaning and maintenance

3. Release the plastic hooks from the seat base.



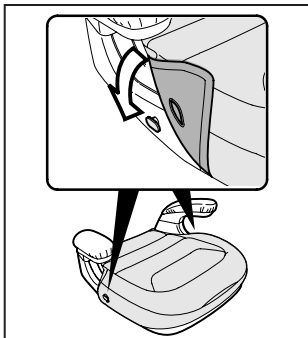
Repositioning the booster seat cover:

4. Fit the cover from the front of the booster seat by inserting it into its housing (fig_a); insert the two hooks of the seat in the appropriate holes near the rear of the booster seat (fig_b).



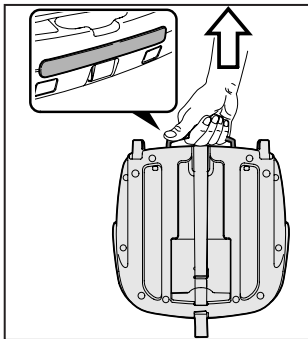
Cleaning and maintenance

5. Hook the two side slots to the buttons on the sides.



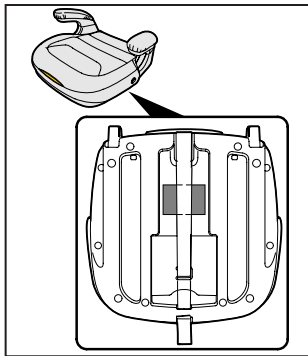
Transport

Viaggio Shuttle 120 is easily carried using a handy transport handle.

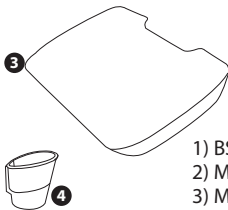
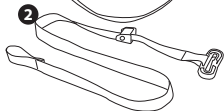
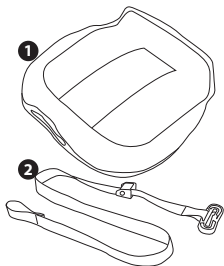


Serial numbers

On its underside, Viaggio Shuttle 120 contains information about its product name, production date and serial number.



Replacement Parts



- 1) BSAVSHUS*
- 2) MUCI0161N
- 3) MMSP0089
- 4) SPST10036NF

NOTE: Spare parts available in different colors* to be specified when ordering.

EN English

Declaration of conformity

Product name

VIAGGIO SHUTTLE 120

Product reference number

IMVS00US35---

Reference Standards (origin)

FMVSS 571-213 (USA)

Declaration of conformity

Peg-Perego S.p.A. declares under its sole responsibility that the article to which this declaration relates has undergone internal testing and has been approved, in accordance with regulations in force, by external, independent testing laboratories

Date and place of issue

Arcore, 21 luglio 2016

Peg-Perego S.p.A.
Via De Gasperi, 50
20862 Arcore (MB), ITALY

ES Español

declaración de conformidad

Denominación del producto

VIAGGIO SHUTTLE 120

Código de identificación del producto

IMVS00US35---

Normativas de referencia (origen)

FMVSS 571-213 (USA)

Declaración de conformidad

Peg-Perego S.p.A. declara bajo su propia responsabilidad que el artículo considerado ha sido sometido a ensayos propios y ha sido certificado por laboratorios externos e independientes de conformidad con la normas vigentes.

Fecha y lugar de expedición

Arcore, 21 de Julio 2016

Peg-Perego S.p.A.
Via De Gasperi, 50
20862 Arcore (MB), ITALIA

EN English

**Declaration of
conformity**
Product name
VIAGGIO SHUTTLE 120

Product reference number
IMV500U35---

Reference Standards (origin)
FMVSS 571-213 (USA)

Declaration of conformity
Peg-Perago S.p.A. declares under
its sole responsibility that the
article to which this declaration
relates has undergone internal
testing and has been approved,
in accordance with regulations in
force, by external, independent
testing laboratories

Date and place of issue
Arcore, 21 luglio 2016
Peg-Perago S.p.A.
Via De Gasperi, 50
20862 Arcore (MB), ITALY

ES Español

**declaración de
conformidad**
Denominación del producto
VIAGGIO SHUTTLE 120

**Código de identificación del
producto**
IMV500U35---

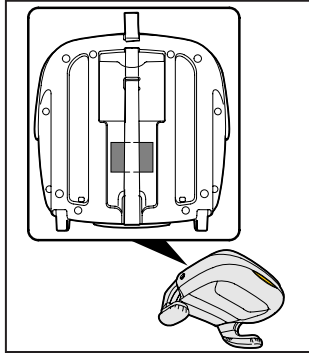
**Normativas de referencia
(origen)**
FMVSS 571-213 (USA)

Declaración de conformidad
Peg-Perago S.p.A. declara bajo su
propia responsabilidad que el
artículo considerado ha sido
sometido a ensayos propios y ha
sido certificado por laboratorios
externos e independientes de
conformidad con la normas
vigentes.

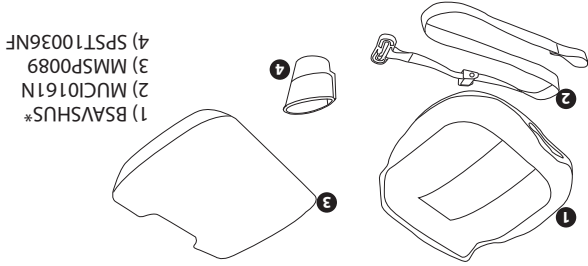
Fecha y lugar de expedición
Arcore, 21 de Julio 2016
Peg-Perago S.p.A.
Via De Gasperi, 50
20862 Arcore (MB), ITALIA

Números de serie

Viaggio Shuttle 120 tiene debajo del asiento la siguiente información: nombre del producto, fecha de fabricación y número de serie del mismo.



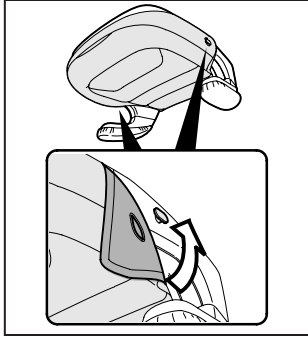
Piezas de repuesto



- 1) BSAVSHUS*
- 2) MUCI0161N
- 3) MMSWP0089
- 4) SPST10036NF

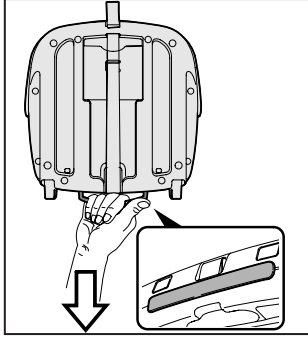
NOTA: Las piezas de repuesto disponibles en colores diferentes*, deben especificarse cuando se pidan.

5. Enganche los dos ojales en los botones presentes en los laterales.



Limpeza y mantenimiento

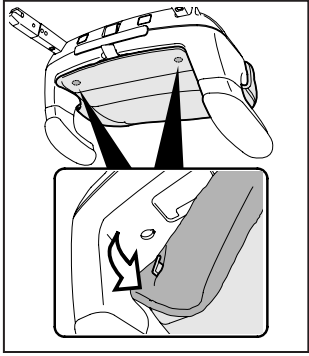
Viaggio Shuttle 120 se puede transportar cómodamente utilizando la correspondiente asa de transporte.



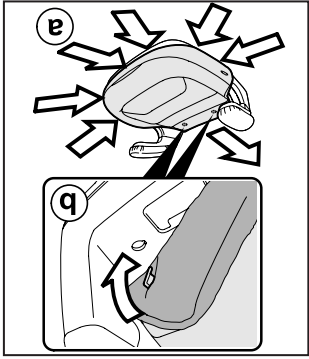
Transporte

Limpeza y mantenimiento

3. Desenganche los dos ganchos de plástico de la base de la silla.



Cómo revestir la silla de auto:
4. Calce el tapizado desde la parte delantera de la silla, introduciendo el perfil en el alojamiento correspondiente (fig_a); introduzca los dos ganchos del asiento en los alojamientos correspondientes cerca de asiento (fig_b).



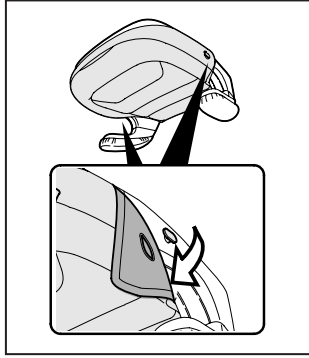
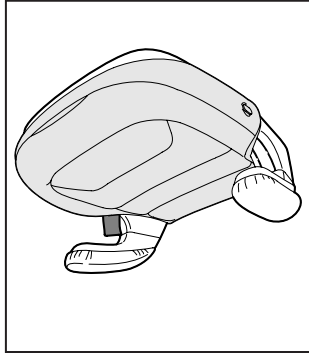
Limpeza y mantenimiento

Se puede extraer el tapizado de Viajio Shuttle 120 para su limpieza.

1. Siga las instrucciones de lavado indicadas en el revestimiento del asiento.

Cómo quitar el tapizado de la silla:

2. Desabroche los botones presentes en los laterales de la base de la silla de auto.





Limpeza y mantenimiento

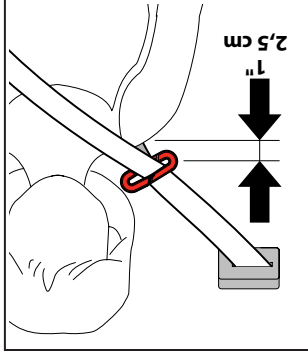
Este producto requiere un mínimo de limpieza y mantenimiento. No limpie la silla con productos irritantes o disolventes. Mantenga limpia las piezas móviles. Si es necesario, limpie las piezas de plástico con un paño húmedo. No utilice agua en el arnés y mecanismos de enganche. Proteja el producto del frío extremo, agua, lluvia y exposición solar. La exposición prolongada a estos elementos puede cambiar los colores en el material y cambiar sus propiedades mecánicas. Guarde el producto en una zona seca si no lo usa durante largos periodos.

La tapicería puede extraerse y limpiarse frecuentemente. Siga el siguiente procedimiento para extraer la tapicería y volver a colocarla. Compruebe las características del producto antes de desmontarlo y asegúrese de que las mismas siguen funcionando una vez que el producto está instalado de nuevo. Debe tener especial cuidado cuando extraiga los acolchados para evitar romper los paneles blancos EPS del producto.

Todas las cubiertas tapizadas (asiento, respaldo y reposa cabezas) pueden lavarse a máquina a 87° F (30 ° C).

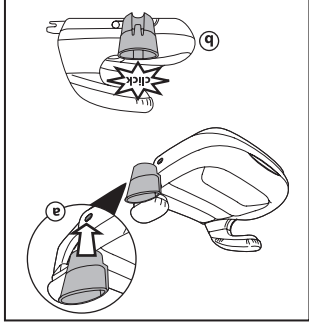
Cómo utilizar los enganche para el hombro

5. La altura exacta del pasador del hombro es apenas por encima de la altura de los hombros. 1" (2,5 cm).



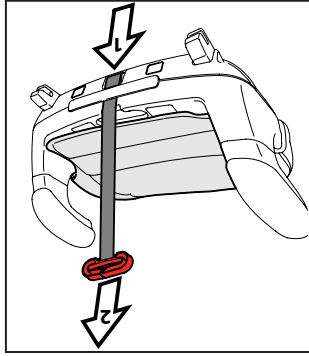
Portabebidas

La silla para auto está equipada con un portabebidas. Coloque el portabebidas sobre el cabezal, presente en ambos lados del asiento (fig_a), y fíjelo correctamente (fig_b). En caso de haberlo, no coloque bebidas calientes en el portabebidas.

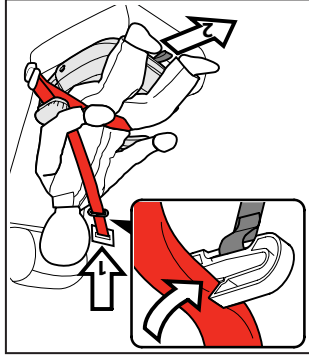


Como utilizar los enganche para el hombro

3. Extienda la cinta del enganche para el hombro o accionando el pulsador presente detrás del asiento (1) y, simultáneamente, tirando hacia arriba (2).

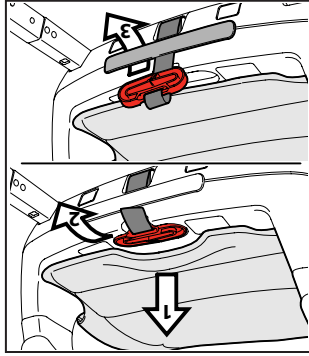


4. Introduzca el cinturón de seguridad en el enganche para el hombro (detalle de la imagen) y luego baje el pasador del hombro (1) tirando de la correa (2).

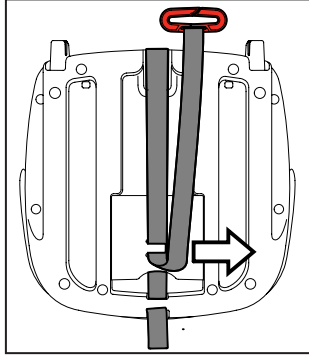


Como utilizar los enganche para el hombro

1. Puede usar el enganche ajustable para el hombro para completar la instalación en el coche. Para extraer el enganche de debajo del tejido del asiento, levante la parte trasera de la cubierta (1), extraiga el enganche de su ubicación (2) y páselo por la manilla (3).

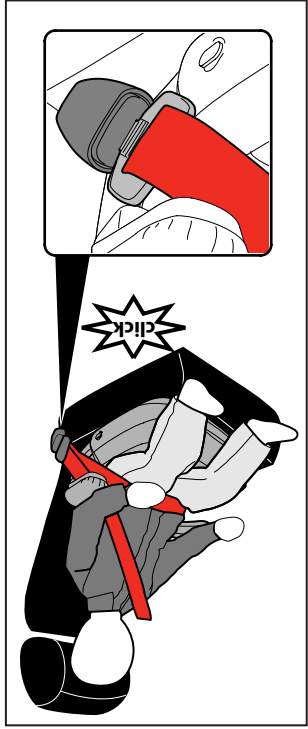


2. Extraiga la cinta del pasador presente debajo del asiento.



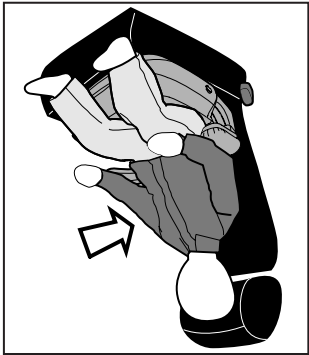
Asegurar al niño en la silla elevadora

3. Enganche el cinturón de seguridad del automóvil, hasta oír un "clik". Coloque los dos lazos del cinturón como se ilustra en la figura.

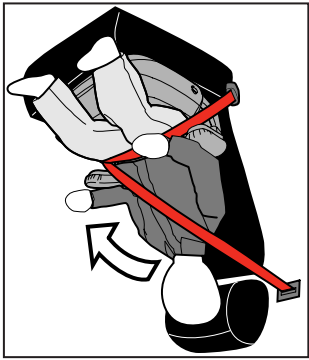


Asegurar al niño en la silla elevadora

1. Acomode al niño como se ilustra en la imagen, prestando atención a que la silla de auto no se desplace durante la operación.

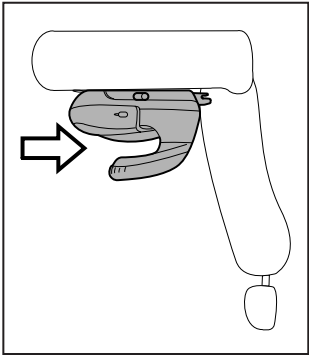


2. Enganche el cinturón de seguridad del automóvil, hasta oír un "clac". Coloque los dos lazos del cinturón como se ilustra en la figura.



Instalación de la silla elevadora en el vehículo

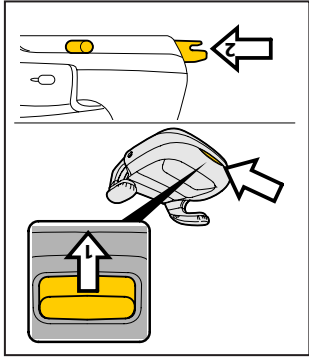
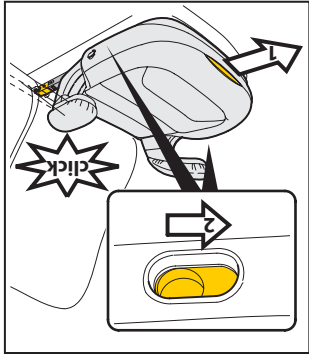
Cómo enganchar la silla en asientos de automóvil sin acoplamiento Latch
7. Coloque la silla de auto Viaagio Shuttle 120 en el asiento del vehículo, en el sentido de marcha, del mismo, dejando los conectores dentro de la base.



Instalación de la silla elevadora en el vehículo

5. Para desenganchar Viajio Shuttle 120 del asiento del automóvil, tire de la manilla (1) y de la silla hasta que los botones de liberación del lateral de la base queden completamente expuestos. Con esta operación, los botones amarillos de liberación quedarán visibles a los lados de la base. Tire de los dos botones (2) hasta oír el "clic" de apertura de los conectores. Ahora es posible retirar la silla de auto.

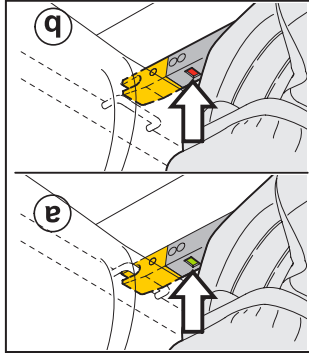
6. Para colocar los conectores otra vez dentro de la base (cuando no se usan), tire nuevamente de la palanca (1) y, simultáneamente, empuje uno de los dos conectores hacia dentro (2) hasta que desaparezcan por completo.



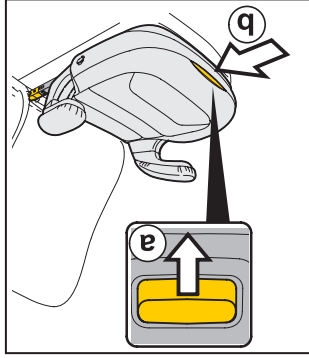
Instalación de la silla elevadora en el vehículo

3. **⚠ IMPORTANTE:**

El correcto enganche de los acoplamientos del automóvil y de los conectores de la silla de auto se verifica cuando aparece un testigo de color verde encima de los conectores (fig_a). La presencia del testigo de color rojo indica un enganche INCORRECTO (fig_b).



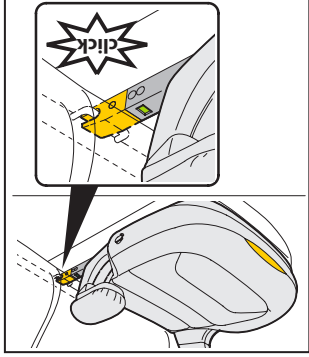
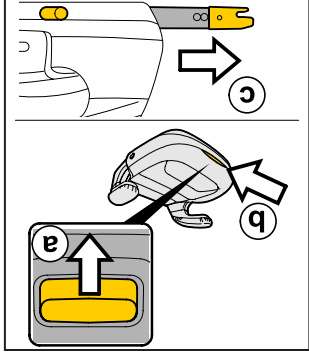
4. Después de fijar la silla, accione otra vez la manilla delantera (fig_a) y, simultáneamente, empuje la silla contra el asiento (fig_b) y suelte la manilla. Al hacer esto, los botones de liberación del lateral de la base desaparecerán, evitando de este modo una liberación inadvertida.



Instalación de la silla elevadora en el vehículo

1. Para extraer los conectores situados dentro de la base, tire de la manilla (fig. a) presente en la apertura de la cubierta (fig. b). Los conectores saldrán automáticamente (fig. c). Repita la operación para comprobar que los conectores hayan salido completa y simultáneamente.

2. Enganche los conectores a los acoplamientos del asiento del automóvil hasta oír un "click".



Instalación de la silla elevadora en el vehículo

Como enganchar la silla en asientos de automóvil con acoplamiento Latch.

Si su automóvil no los tiene instalados, pase a la siguiente sección. Para obtener más información sobre la presencia y posición de los acoplamientos, consulte el manual de uso del automóvil.

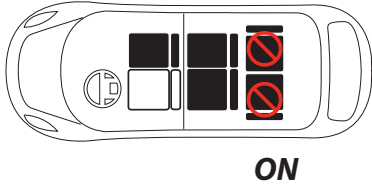
NOTA IMPORTANTE: Peg-Perego recomienda el uso de conectores LATCH para lograr la mejor estabilidad del producto en caso de giros bruscos o abruptos. Además, el uso de conectores LATCH le garantizará que el producto se encuentra en la posición correcta con respecto a los puntos de fijación del cinturón del vehículo.

El uso de conectores Latch NO sustituye al uso del cinturón de seguridad para asegurar a su hijo.

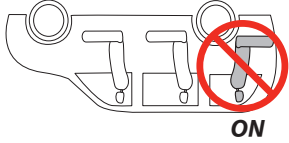
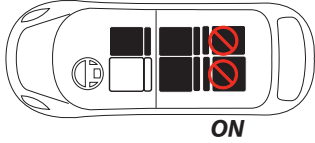
Diseño y compatibilidad de la silla de auto

ADVERTENCIA: No utilice Viaagio Shuttle 120 con los siguientes tipos de asiento de auto:

1. Asientos orientados hacia el lateral

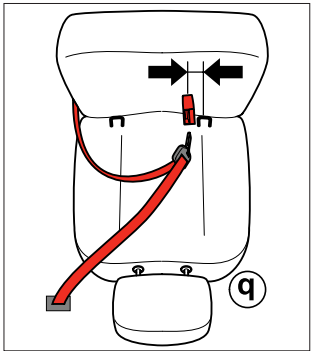
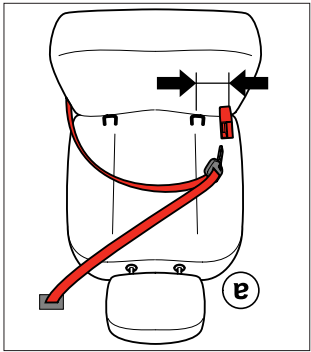
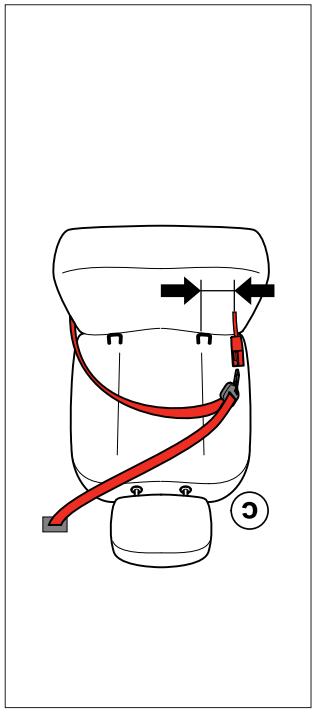


2. Asientos orientados hacia atrás o asientos que giran en posiciones diferentes



Para la seguridad de su hijo, siempre lea el manual de su auto para obtener más información.

Diseño y compatibilidad de los cinturones de seguridad del vehículo



Diseño y compatibilidad de los cinturones de seguridad del vehículo

Viaggio Shuttle 120 es una silla elevadora equipada con el sistema Latch rígido. A pesar de que el sistema Latch rígido se utiliza solo para ofrecer una mayor estabilidad, su uso es recomendado. Al instalar la silla, asegúrese de que hay suficiente espacio entre la silla adjunta y la hebilla del cinturón del vehículo (fig_a). En algunos vehículos, la hebilla y los acoplamientos Latch pueden estar cerca los unos de la otra.

En caso de que se encuentren demasiado cerca (fig_b), o incluso solapados, el uso contemporáneo de los cinturones de seguridad del vehículo y del sistema Latch rígido puede no ser posible. Consulte el manual del propietario del vehículo para una posición de montaje adecuada o póngase en contacto con Servicio de Atención al Cliente de Peg-Perego al 1-800-671-1701 para obtener ayuda adicional.

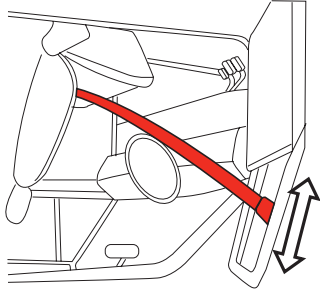
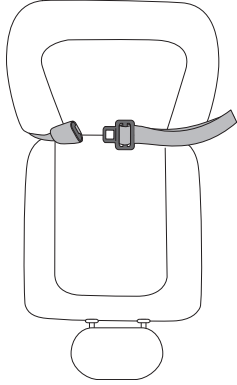
En caso de que su vehículo esté equipado con hebillas flexibles, asegúrese de que la posición de la hebilla permita una fijación sencilla de la placa del cinturón de seguridad del vehículo (fig_c).

Diseño y compatibilidad de los cinturones de seguridad del vehículo

DISENOS DE CINTURONES DE SEGURIDAD NO COMPATIBLES

ADVERTENCIA: no utilice Viaggio Shuttle 120 con los siguientes tipos de cinturones de seguridad:

1. Cinturones de seguridad de cadera/motorizados. Cinturones de seguridad instalados en la puerta.
2. Sólo cinturón de cadera de cualquier tipo

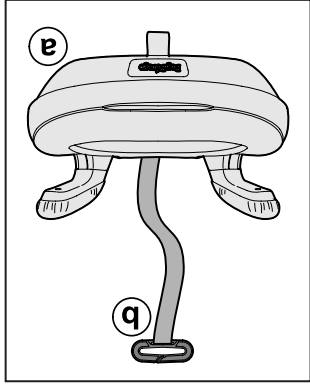


Diseño y compatibilidad de los cinturones de seguridad del vehículo

El Viajio Shuttle 120 está diseñado para ser instalado con cinturones de seguridad del vehículo de cadera y hombro, como los instalados en la mayoría de los vehículos. Sin embargo, en el mercado, existen varios tipos de vehículos fabricados en diferentes momentos.

Como resultado, existen muchos tipos de cinturones de seguridad. Desafortunadamente, algunos no serán adecuados para la instalación segura del Viajio Shuttle 120. Lea cuidadosamente la siguiente lista y en caso de problemas o dudas, consulte el manual de su vehículo o llame al Servicio de atención al cliente de Peg-Perego en el 1-800-671-1701 para obtener ayuda.

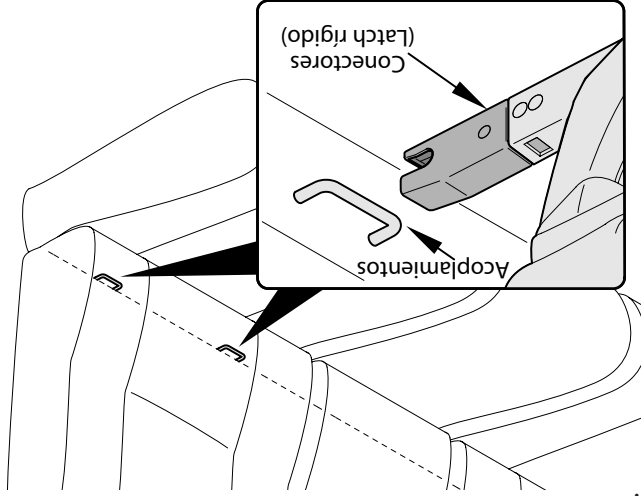
Componentes del producto



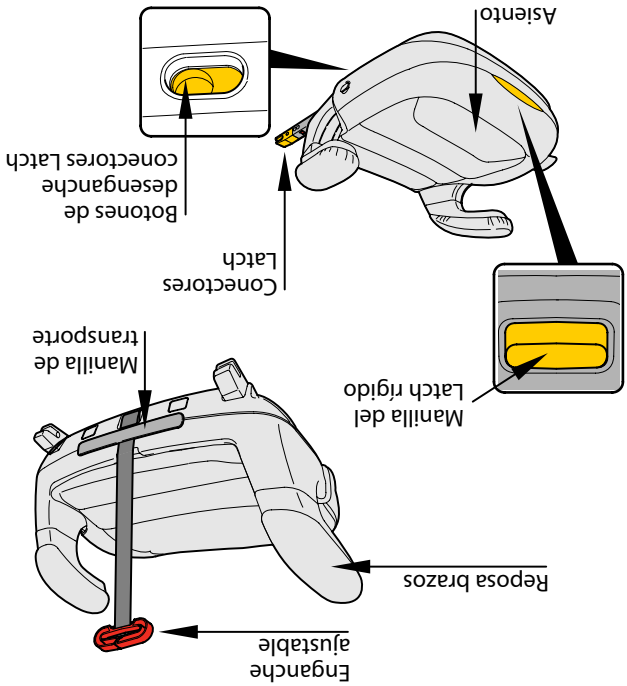
1. Compruebe siempre el producto antes de su uso. El producto está compuesto por: asiento con reposabrazos y base Latch rígida integrada (a), enganche para el hombro (b). La silla de auto está preparada para el uso: no se requiere ninguna operación de montaje. Incorrectamente, o que falten, contacte con nuestro Servicio de atención al cliente en el @ 1-800-671-1701.

Latch rígido

Viaggio Shuttle 120 está equipada con un sistema Latch rígido. La interfaz Latch rígido se compone de dos conectores, que se encuentran en la base integrada de la silla de auto, y de dos acoplamientos situados en la línea de unión entre el asiento y el respaldo del vehículo. El espacio entre los conectores corresponde a la separación entre los acoplamientos del vehículo.



Silla de auto



Formulario de registro

Extraiga el formulario, complételo y envíelo a Perg-Perego. No necesita sello. Ya lo hemos abonado. Si no estuviera el formulario de registro, llame al Servicio de atención al cliente al 1-800-671-1701 para obtener otro formulario.

Formulario de registro

¡Importante! Los dispositivos de retención de niños pueden ser reclamados por motivos de seguridad. Debe registrar este dispositivo para permitir que le llamen. Envíe su nombre, dirección y el número de modelo del dispositivo y la fecha de fabricación a:

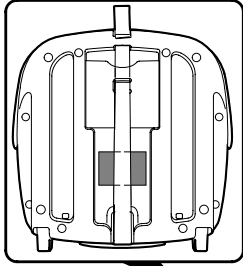
Peg-Perego U.S.A., Inc. 3625 Independence Drive Fort Wayne, IN 46808 Or call 1-800-671-1701 (gratuito).

O registre online en

www.carseat-registration.pegperego.com

Para obtener información sobre retiradas, llame a la línea de seguridad en vehículos gubernamental al 1-888-327-4236 (TTY: 1-800-424-9153) o vaya a <http://www.NHTSA.gov>

El número de modelo, el nombre del modelo, la fecha de fabricación, etc., están indeliblemente impresos en una etiqueta situada debajo de la base de la silla (como se muestra a continuación). Se adjunta un formulario de registro en la cubierta del producto.



⚠ Advertencia

de certificación. No se recomienda el uso de cubiertas no aprobadas u otros accesorios.

- Los componentes EPS (espuma suave y blanca ubicada bajo las cubiertas tapizadas) están integradas en el producto como piezas relacionadas con la seguridad y no deben ser extraídas o gravemente dañadas.
- Asegure este asiento en el automóvil incluso si no está ocupada. Esta silla de auto es un objeto pesado que podría causar daños graves a otros ocupantes en caso de accidente.
- Mantenga los dedos alejados de las piezas móviles.

Información de seguridad

- Utilice el Viajero Shuttle 120 en modo de orientación hacia adelante con niños que pesen entre 40 y 120 libras (18 a 54 kg) y cuya altura esté entre las 39 y 63 pulgadas (99 a 160 cm).
- Cuando siente a su hijo en el asiento, asegúrese de que no lleve chaquetas pesadas o mantas. Esto hará que el uso de los cinturones de seguridad sea más seguro, ya que las chaquetas abultadas pueden afectar negativamente al ajuste de los cinturones en caso de accidente.
- No deje nunca a su hijo solo en el automóvil, ni siquiera por un momento.⁷ Podría enredarse con las

⚠ Advertencia

- El Viaagio Shuttle 120 puede fijarse a su vehículo mediante un sistema de anclaje inferior universal (LATCH) para mayor estabilidad. Consulte la sección dedicada de este manual para ver los detalles de instalación y comprobar el manual de su vehículo.
- Esta silla elevadora ha sido diseñada exclusivamente para instalarse en asientos de automóvil orientados hacia el frente. Nunca la utilice en asientos orientados hacia los lados o hacia atrás. No lo utilice en coches con cinturones de seguridad instalados en las puertas o motorizados. Lea el manual de su vehículo para obtener información adicional.
- De acuerdo con las estadísticas sobre accidentes, los niños están más seguros cuando están adecuadamente sujetos en posiciones orientadas hacia atrás que hacia delante.
- Complete y envíe el formulario de registro proporcionado con el producto de inmediato. En caso de accidente: si la silla de auto está involucrada en un accidente de auto, no será segura para usar de nuevo. Deberá adquirir una nueva. Llame al Servicio de atención al cliente de Peg-Perego en el 1-800-671-1701 (gratuito) para obtener más información sobre reparaciones y piezas de repuesto.
- Las cubiertas del asiento y el acolchado proporcionado con este producto son parte del producto y del programa

⚠ Advertencia

- No instale o utilice este asiento elevador hasta que haya leído y comprendido todas las instrucciones de este manual y en las etiquetas del producto. Para evitar daños serios a su hijo, siga cuidadosamente las instrucciones. Guarde el manual de instrucciones en respaldo para futuras referencias.

- Su hijo podría resultar seriamente dañado si no sigue las instrucciones y las etiquetas de aviso correctamente.

- Utilice solamente el sistema de cinturones de seguridad de cadera y hombro del vehículo cuando sujete al niño en este asiento elevador. Ajuste el cinturón, cómodamente, alrededor del cuerpo del niño, asegurándose de que el cinturón está plano, sin holguras.

- Este asiento elevador cumple o supera todos los 213 requisitos de la Norma Federal de Seguridad de Vehículos a Motor para su uso en vehículos. Este dispositivo de sujeción NO está certificado para su uso en aeronaves, ya que los asientos de una aeronave sólo están equipados con cinturones de cadera.

- No todos los modelos disponibles de cinturones de seguridad están aprobados para su uso con este producto. Consulte la sección dedicada en este manual para obtener más detalles.

Introduction

tiempo necesario para instalar Viaggio Shuttle 120 en su vehículo y realice pruebas de ajuste antes de utilizarla con niños. Cuando haya leído el manual, guárdelo en la base de Viaggio Shuttle 120 para que cualquiera que use el producto pueda consultarlo en caso de duda.

Si detecta cualquier mal funcionamiento o piezas rotas, por favor no dude en llamar al Servicio de Atención al Cliente de Peg-Perego al 1-800-671-1701 para obtener ayuda. Ahora que está familiarizado con su nueva Viaggio Shuttle 120, ya está listo para disfrutar de viajes seguros y felices con su familia.

Introduction

Gracias por elegir la silla elevadora Peg-Perego Viaggio Shuttle 120. Como todos los productos de Peg-Perego, su Viaggio Shuttle 120 ha sido diseñada y certificada por un equipo especializado de ingenieros del departamento de investigación y desarrollo de Peg-Perego. La silla ha sido fabricada y montada en una fábrica Peg-Perego siguiendo unos procedimientos de calidad certificados y mediante el uso de materiales de alta calidad de proveedores certificados. Al igual que ocurre con todas las sillas elevadoras, Viaggio Shuttle 120 ha sido diseñada para ser utilizada cuando un niño viaje dentro del vehículo.

Le recomendamos utilizar Viaggio Shuttle 120 conduciendo con la mayor precaución cuando viaje con un niño y tomándose su tiempo para familiarizarse con el producto hasta llegar a conocer todas sus características, sus diferentes usos posibles y la instalación más adecuada. Por favor, lea el manual en su totalidad y con el producto a la vista. Esto le permitirá comprobar todas las partes e indicaciones sobre el producto y comprenderlo mejor. Tómese el

Tabla de contenidos

Introducción	3
⚠ Advertencia	5
Información de seguridad	7
Formulario de registro	9
Silla de auto	11
Latch rígido	12
Componentes del producto	13
Diseño y compatibilidad de los cinturones de seguridad del vehículo	14
Diseño y compatibilidad de la silla de auto	18
Instalación de la silla elevadora en el vehículo	19
Asegurar al niño en la silla elevadora	24
Cómo utilizar los enganche para el hombro	26
Limpieza y mantenimiento	29
Transporte	32
Números de serie	33
Piezas de repuesto	33

⚠️ ADVERTENCIA:

• No instale o utilice este elevador hasta que haya leído y comprendido todas las instrucciones de este manual y las etiquetas. Para evitar daños serios a su hijo siga las instrucciones detenidamente. Conserve el manual de instrucciones en el bolsillo dedicado a tal fin para futuras consultas.

Límites de peso:
40 – 120 libras
(18 – 54 kg)

Límites de altura:
39 - 63 pulgadas
(99 – 160 cm)

Viaggio

SHUTTLE



Peg Perego

ES Instrucciones de uso
FIUS17011239

USA