



GOFR™

Get More From the Outdoors™

GOFR Ultimate Livewell Kit Owner's Manual



© 2021 Santiva Outdoors, LLC - Series Retail dba GOFR Outdoors. All Rights and Materials Reserved.



WARNING: This product contains chemicals known to the State of California to cause cancer and birth defects or other reproductive harm. For more information go to <https://www.p65warnings.ca.gov>.

The GOFR Ultimate Livewell Kit allows you to convert most hard coolers, round or rectangular buckets into a functioning livewell with the use of an Air and Water Pump to maximize Live Bait longevity.

Please follow the instructions below and please read all warnings and tips to ensure the best results.

Care Instructions:

- Read Instruction manual fully before operation.
- Do not use in excessive heat.
- Do not leave in direct sunlight when not in use.
- Do not submerge the base unit or air pump in water.
- Use care when connecting power sources.
- Never use wet batteries or a wet 12V connection.
- Run fresh water through pump after each use.
- Stop using immediately if hot to the touch or the base unit gets wet.

Safety and Operating Instructions

- ⚠ Never use wet or damaged batteries. If damaged please recycle them at an appropriate hazardous waste recycling center.
- ⚠ Never leave batteries in direct sunlight.
- ⚠ Never expose batteries to temperatures over 130 degrees.
- ⚠ Not intended for use by anyone under the age of 16 years old.
- ⚠ Contains Lithium batteries that can explode or cause fire – store properly and in a dry and cool place.
- ⚠ Always store and transport batteries in dry and cool conditions.
- ⚠ Never leave batteries in areas like hot vehicles, garages or in direct exposure to the sun.
- ⚠ Do not alter or disassemble the batteries.
- ⚠ Do not charge batteries continuously for over 24 hours.
- ⚠ Do not allow batteries to get wet.

BATTERY SPECIFICATIONS & WARNINGS

THIS PRODUCT CONTAINS LITHIUM-POLYMER BATTERIES 3.7V 2200mAh: LiPo batteries have a severe risk of fire and injury if they are improperly handled or misused. They may explode, ignite, or overheat.

The enclosed LiPo batteries are only to be used with the pump and charger included with this product. Please read all instructions, warnings, and precautions regarding the care, use, and disposal of LiPo batteries.

- Do not drop or make subject to strong impact.
- Remove batteries from the compartment if the pump is not used for a long period of time.
- Do not stress, press, or drop the batteries.
- Never charge the batteries unattended. Please monitor the charging process and react to any potential issues that may occur.
- Disconnect the charging wire as soon as the batteries are fully charged.
- Never store or charge batteries inside a car.
- Use caution to avoid puncture of the batteries. Puncture of the batteries may cause fire.

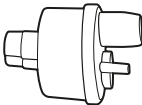
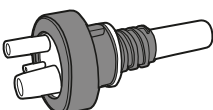
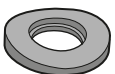

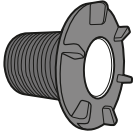


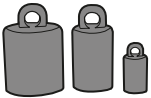

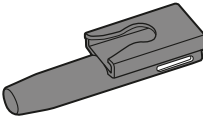
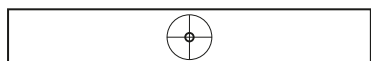
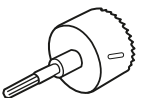

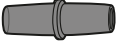

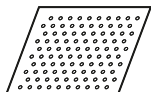
WARNINGS

Batteries are harmful if swallowed. Please keep away from children.

Battery Disposal: Dispose of batteries according to local laws and regulations. Some batteries may be recycled and may be accepted for disposal at your local recycling center. If you are not able to identify the applicable rules in your area, please check with the battery manufacturer.


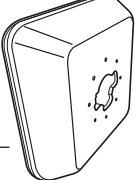
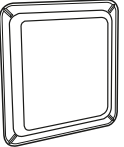
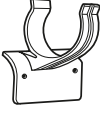
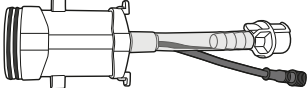
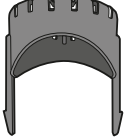
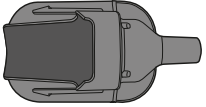
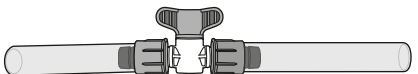
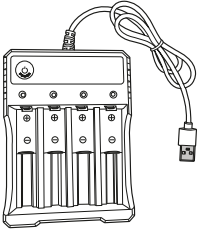
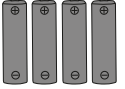
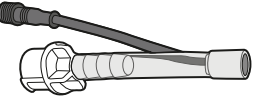



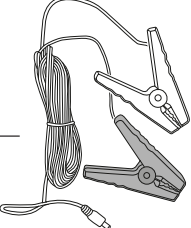
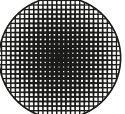
GOFR ULTIMATE LIVEWELL KIT

PARTS LIST:

- P1 Bellhousing 
- P2 Core Assembly 
- P3 Flat Gasket 
- P4 Contoured Gasket 
- P5 Bucket Adaptor 
- P6 Screw Lock for Bucket Adaptor 
- P7 Drain Tube 
- P8 Caps 
- P9 Hose Clamps 
- P10 Drain Cap 
- P11 Bucket Template 
- P12 Hole Saw 
- P13 Drain Elbow 
- P14 Elbow Connector 
- P15 Suction Cup 
- P16 Sand Paper 

GOFR ULTIMATE LIVEWELL KIT

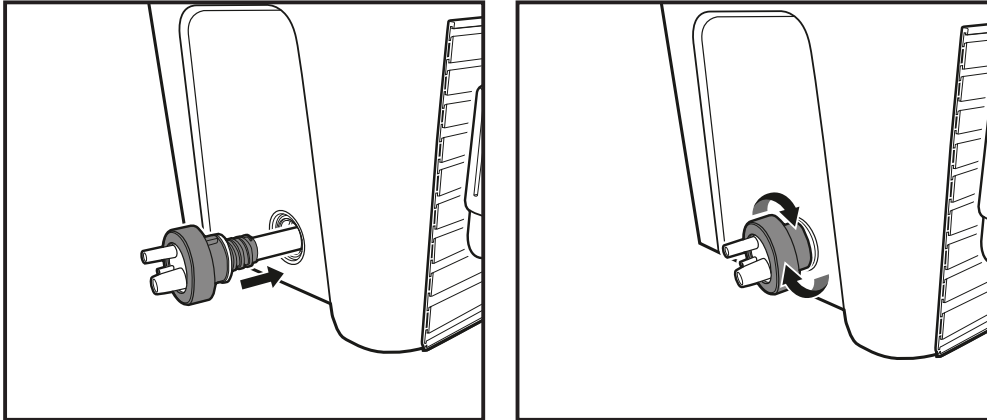
PARTS LIST :

- P17 Pump Base Unit 
- P18 Pump Float 
- P19 Battery Cover 
- P20 Water Pump Clip 
- P21 Water Pump 
- P22 Water Pump Cover 
- P23 Recirculation Adaptor 
- P24 Recirculation Tubing and Valve 
- P25 USB Battery Charger 
- P26 Rechargeable LiPo Batteries (4pcs) 
- P27 Double Tubing (water and power) 
- P28 GOFR Connection System Rail Adaptor 
- P29 Air Pump 
- P30 Air Pump Tubing 
- P31 12v Alligator clips 
- P32 Carbon Filters 

HARD COOLER CONVERSION

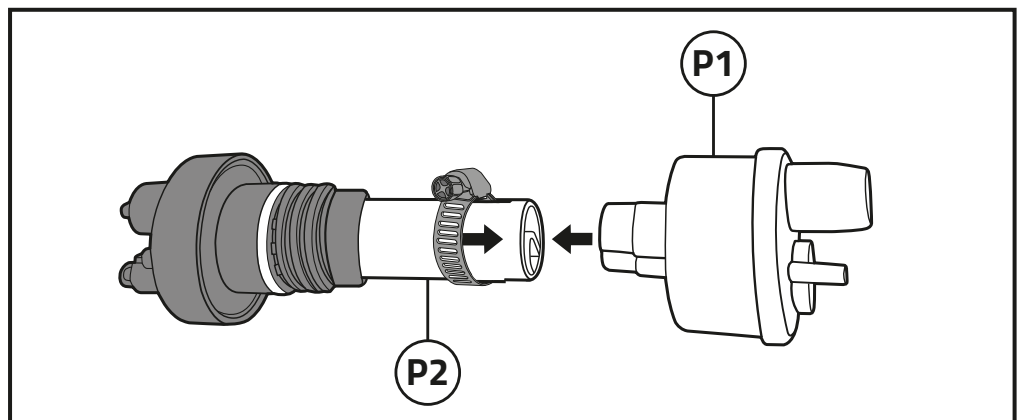
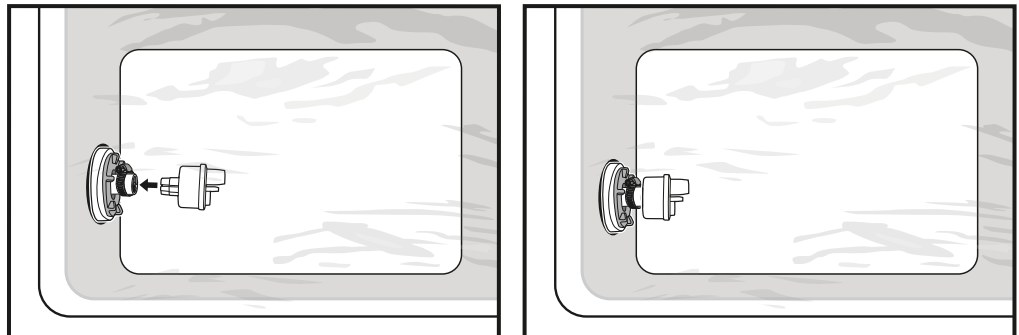
STEP 1:

- Screw Core (P2) into a hard cooler drain port. Secure firmly by hand tightening.



STEP 2:

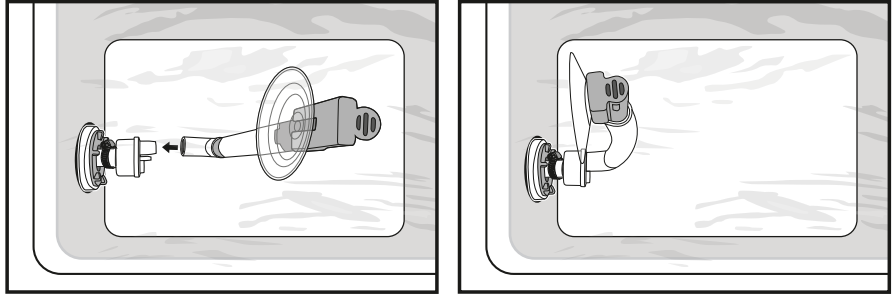
- From the inside of the cooler, place a loosened Hose Clamp (P9) over the Core (P2) as shown.
- Align the Bellhousing (P1) nipples with the openings in the Core (P2) and push as far as it will go.
- Move the Hose Clamp (P9) near the base of the Bellhousing (P1), leaving 1mm of the Core still showing. Tighten the clamp using a screw driver until firm.



STEP 4:

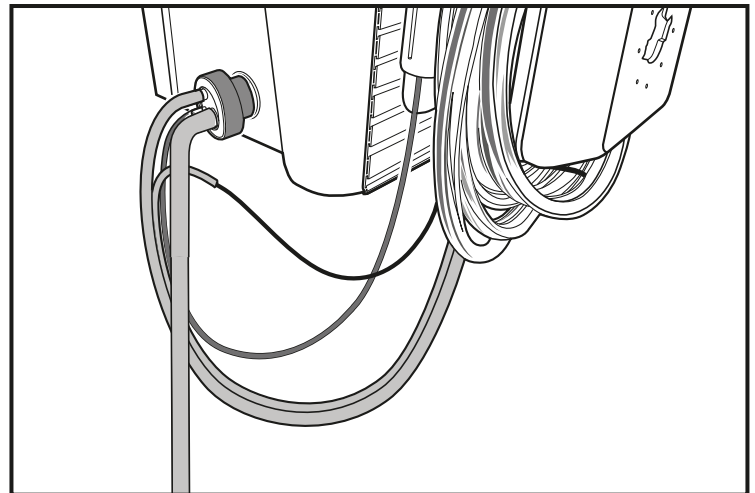
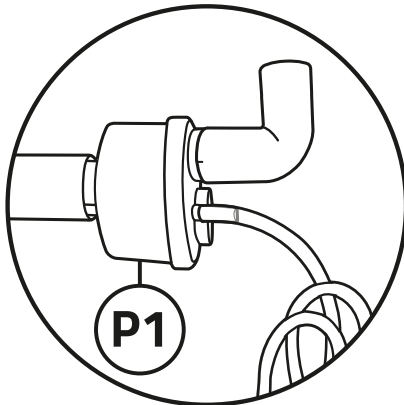
- Assemble Drain Elbow (P13), and Drain Tube (P7) using adapter. Install assembly on the large drain nipple of the Bellhousing (P1) with the Drain Tube (P7) pointed vertically.

TIP: Cut the Drain Tube (P7) to desired water level, and install Drain Suction Cup (P15).



STEP 5:

- If desired, connect our existing Air Tubing (P30) and Bellhousing (P1).
- On the outside of the cooler, connect tubing as needed for air, water, or full circulation.

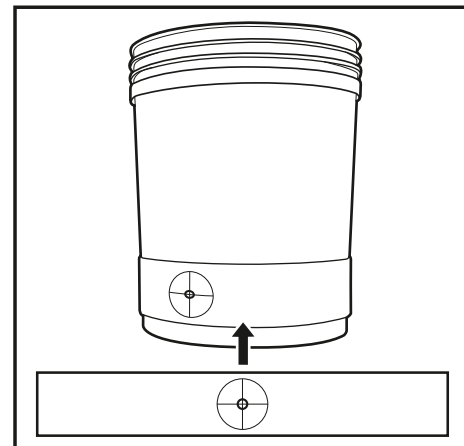


BUCKETS (ROUND OR RECTANGULAR)
- REQUIRES DRILL -

STEP 1:

- Tape the template or find your desired location on the bucket to insert your Livewell Connection System.

TIP: Drill the hole and position the system as low as possible (while still allowing room for the connectors) on the container to allow for maximum water exchange.

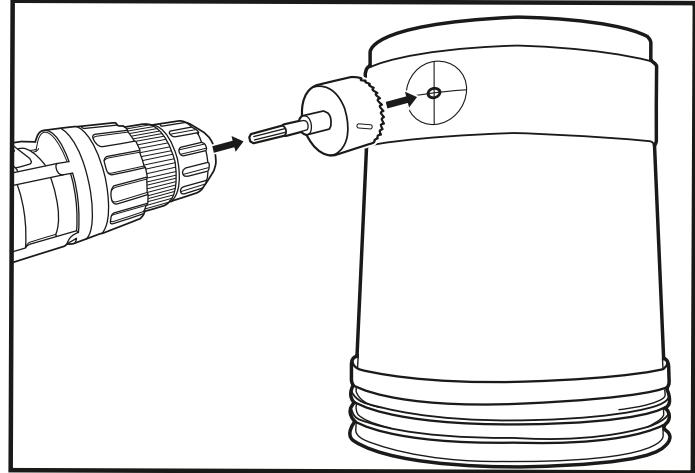


STEP 2:

- Turn the bucket upside down and use the Hole Saw (P12) and electric drill to cut a hole in bucket. Keep the drill perpendicular to the bucket while drilling.

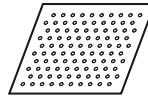
WARNINGS

- Make sure the surface area is clean and safe.
- Always use safety glasses when cutting or drilling.
- Make sure the bucket or container is secure and held firmly before using the hole saw.
- Always use safety glasses and gloves when cutting or drilling.



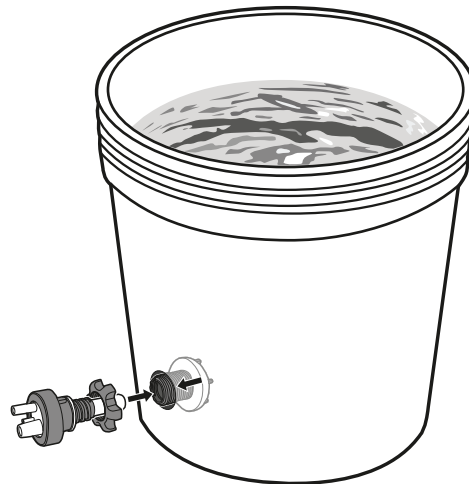
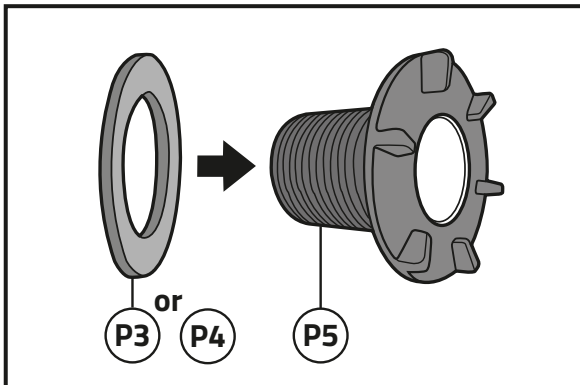
STEP 3:

- After you have a hole cut, take a small piece of Sand Paper (P16) and gently clean shavings and plastic pieces from inside the bucket and discard.



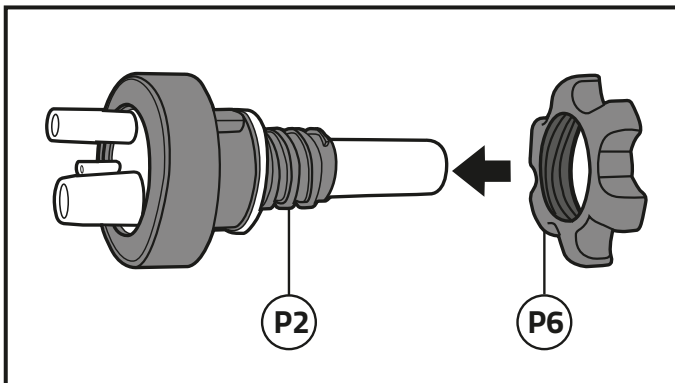
STEP 4:

- Install the Flat (P5) or Contoured Gasket (P4) onto the Bucket Adapter (P5) depending on whether the bucket is rectangular or round respectively. Install the assembly through the hole **from the inside of the bucket**.



STEP 5:

- Install Screw Lock for Bucket Adaptor (P6) onto Bucket Adapter (P5) **from the outside**. For round buckets be sure to align the contoured gasket against the side of the bucket to follow the natural shape and prevent gaps from forming.



STEP 6:

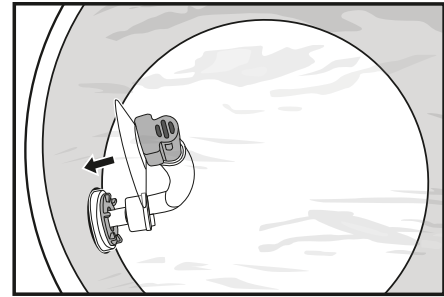
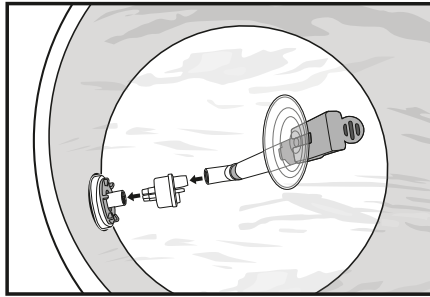
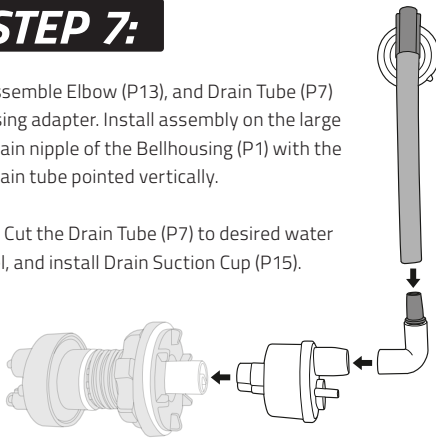
- Install Core Assembly (P2) into the Bucket Adaptor (P6) and screw in until a firm connection is made.



STEP 7:

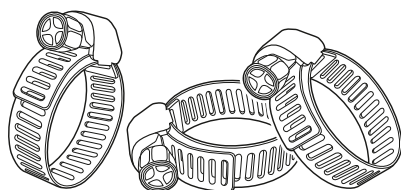
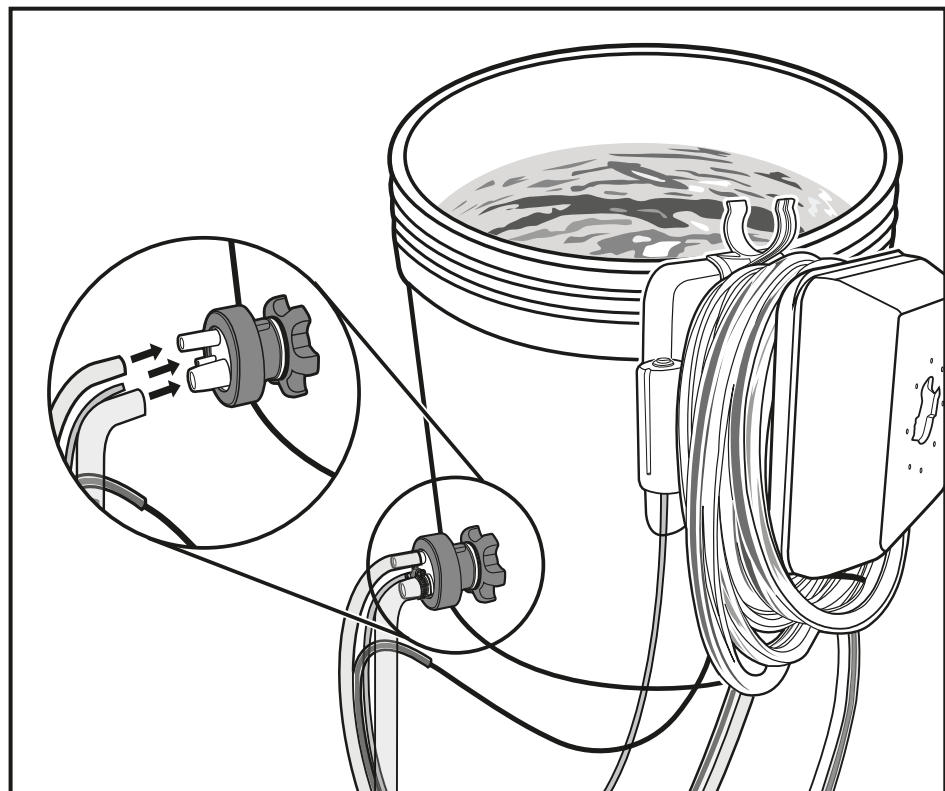
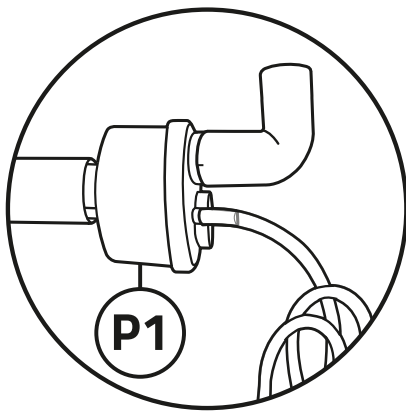
- Assemble Elbow (P13), and Drain Tube (P7) using adapter. Install assembly on the large drain nipple of the Bellhousing (P1) with the drain tube pointed vertically.

TIP: Cut the Drain Tube (P7) to desired water level, and install Drain Suction Cup (P15).



STEP 8:

- On the outside of the bucket, connect tubing as needed for air, water, or full circulation.
- If desired, connect our existing Air Tubing (P30) and Bellhousing (P1).

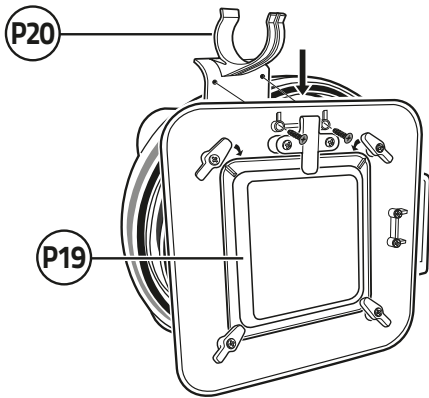


SETTING UP THE GOFR PORTABLE PUMP SYSTEM

INITIAL SETUP

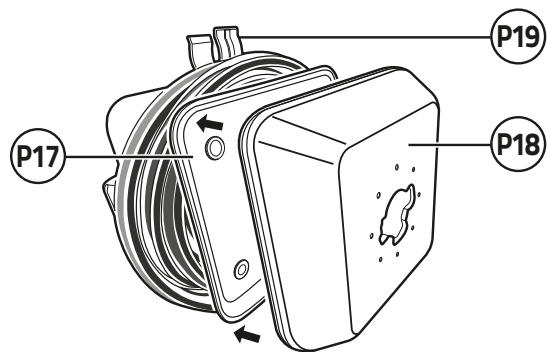
STEP 1:

- Connect the Pump Clip (P20) to the Base Unit (P17) using the screws provided.



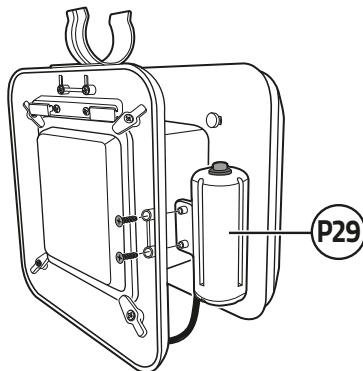
STEP 2:

- Remove the Pump Cover (P18) from the Base Unit (P17).



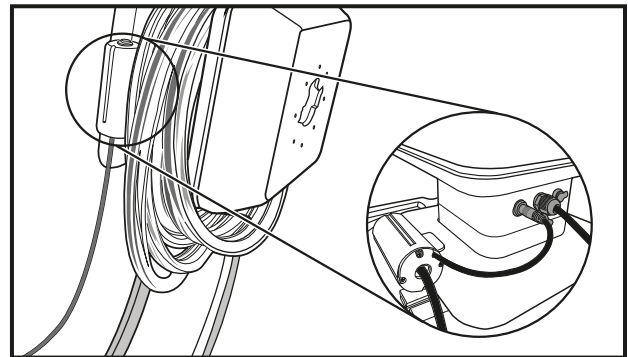
STEP 3:

- Connect Air Pump (P29) to the Base Unit (P17) using 2 screws. Do not overtighten.



STEP 4:

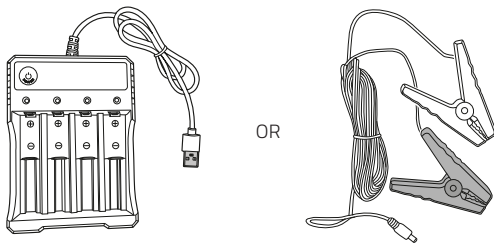
- Connect Air Pump power cord to base unit.



USE

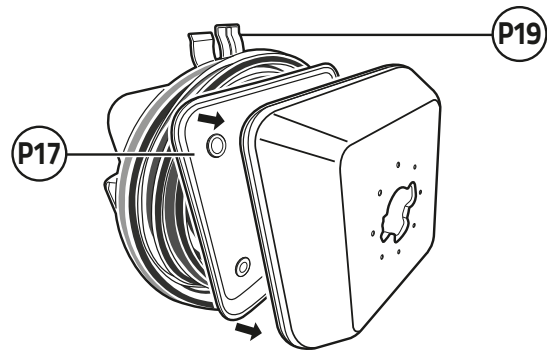
STEP 1:

- Select power source.



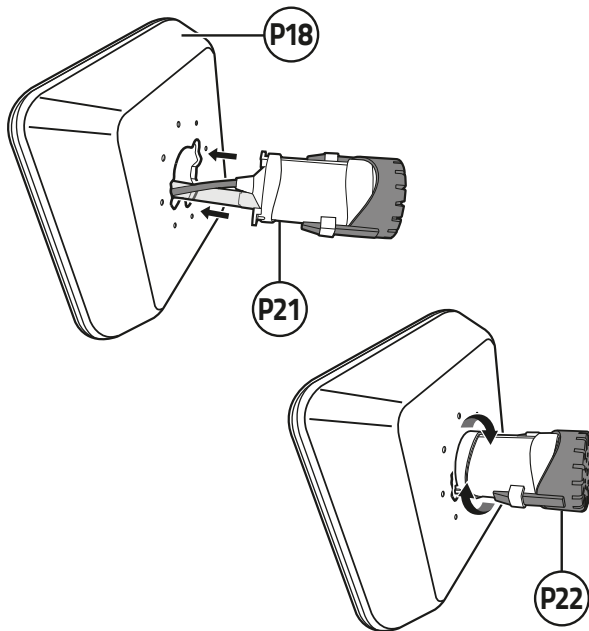
STEP 2:

- Detach the Water Pump (P21) from the Base Unit (P17).



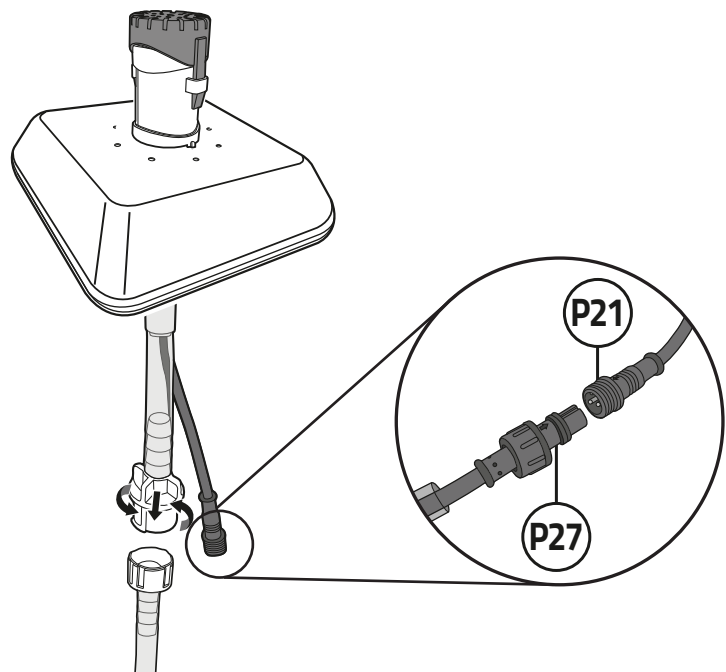
STEP 3:

- Connect Water Pump (P21) to the Float (P18).



STEP 4:

- Connect the power cable located on the Double Tubing (P27) to the Power Cap on the Water Pump (P21).
- Connect the water tubing to the pump.



POWER OPTIONS

GOFR offers 12V power and rechargeable battery power.

12V POWER

- Plug the barrel connector opposite the Alligator Clips (P31) into the power socket on the bottom of the base unit.
- Place negative terminal clip (black) to your 12V battery's negative terminal.
- Place positive terminal clip (red) on the positive terminal of the battery.
- Flip power switch to "external" power.

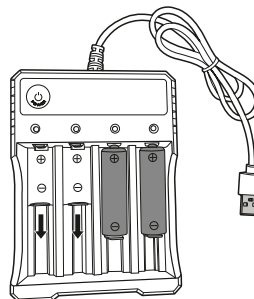
WARNINGS

- Use in open air.
- Never use around fuel, chemicals or other flammable materials.
- Do not allow power input Alligator Clips (P31) to sit in water or be stored in a damp place.

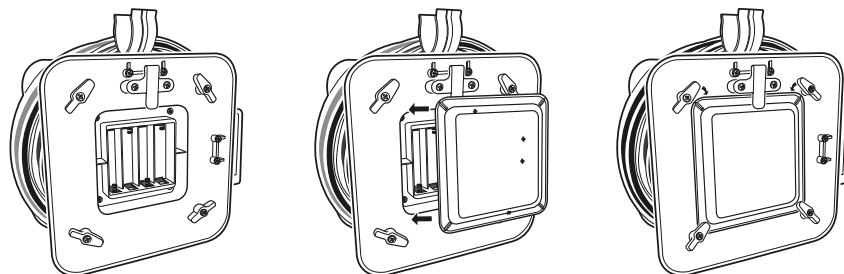
BATTERY POWER AND CHARGING

- Charge Batteries with USB wall charger.
- Use your existing USB wall charger and plug in the USB cord.
- Plug your USB wall charger into the wall.

- GOFR Charger
 - Red – Charging
 - Green – fully charged
 - Blinking – USB has stopped charging to avoid damaged to batteries
 - If blinking continues, unplug charger and let batteries cool.
- Charge Batteries Fully.

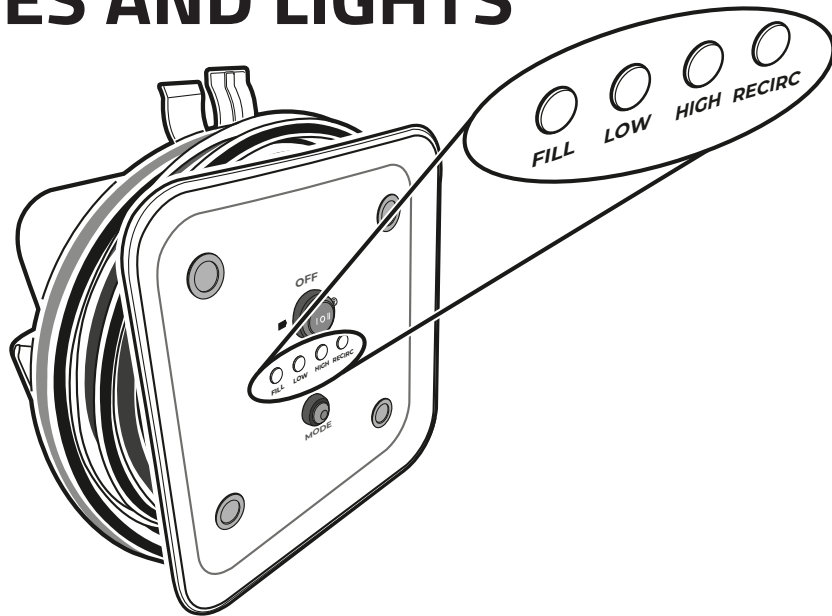


- Open the Battery Cover (P19) as shown.
- Place batteries into the case.
- Close and lock Battery Case (P19).



MODES AND LIGHTS

- **Fill mode** will run for 7 minutes at full power and automatically go into low maintenance mode.
- **High maintenance mode** runs at reduced power 1 minute every 3 minutes for a total of 20 minutes per hour.
- **Low maintenance mode** runs at reduced power 1 minute every 4 minutes for a total of 15 minutes per hour.
- **Recirculation Mode:**
 - Use only if recirculation adaptor is in place.
 - Run 1 min every 5 min.



INDICATOR LIGHTS

- Slow blink = low battery voltage. The water and air pumps will turn off automatically to prevent damage to the batteries.
- Solid light = no mode has been selected.
- Fast blink = high temperature warning.

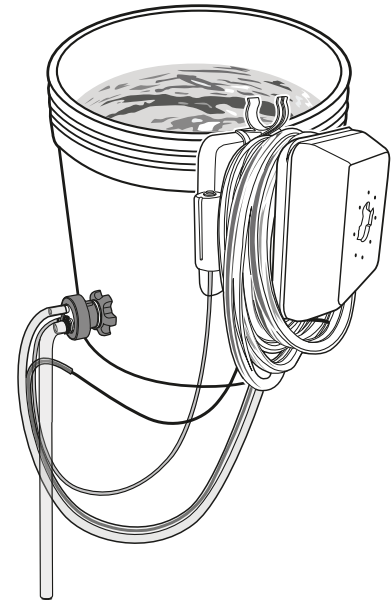
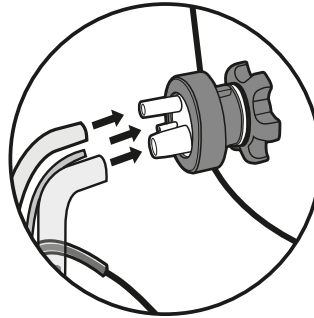
OPERATING THE LIVEWELL KIT

- Turn on Base Unit (P17).
- Select Fill mode from the LED selector.
- Fill mode will run 7 minutes at full power to help fill buckets fast.
- After Fill mode, Base Unit automatically goes into low maintainer mode.
- Select modes as needed.
- Use Air Pump to continually run fresh air into the live well for better performance.

USING AIR AND WATER PUMP WITH THE LIVEWELL ADAPTOR KIT INSTALLED TO A BUCKET OR COOLER

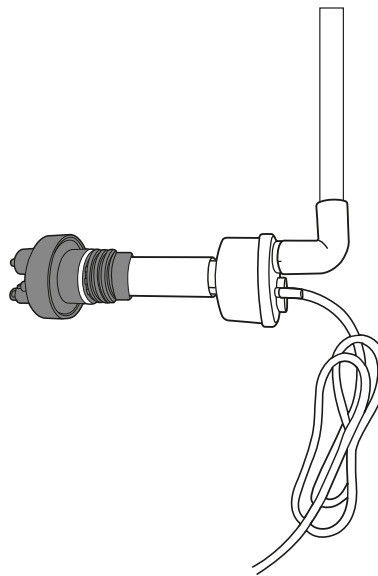
STEP 1:

- Connect Air, Water and Drain Tubing to the Core Assembly (P2).



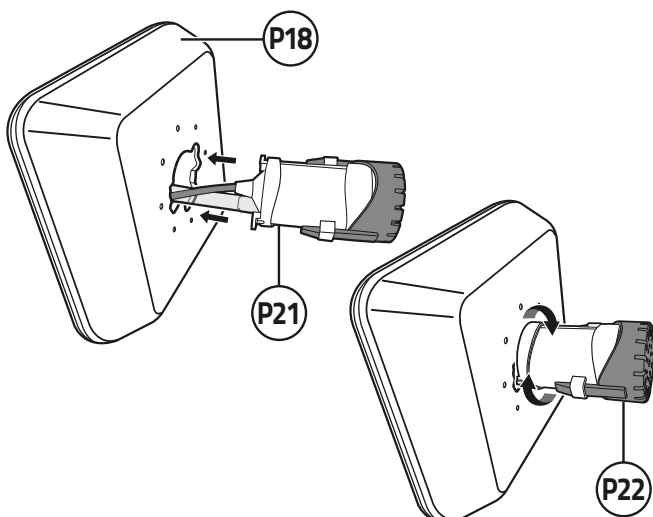
STEP 2:

- If desired, place additional Air Tubing (P30) and Carbon Filter (P32) on the inside of the bucket for maximum performance.



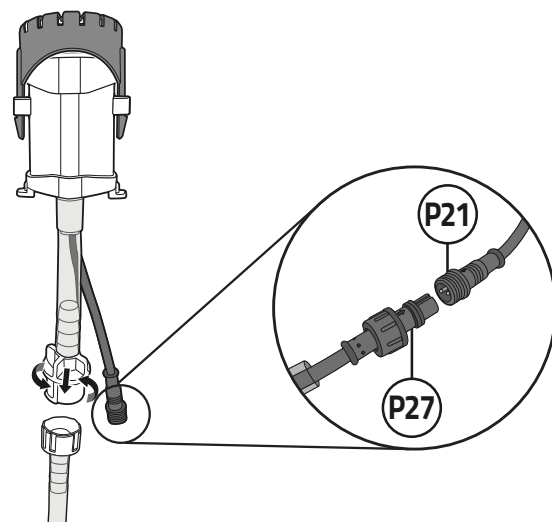
STEP 3:

- Attach the Water Pump (P21) to Pump Float (P18) and attach the Double Tubing (P27) to the Power and Water ports on the Water Pump (P21).



STEP 4:

- Connect the power cable located on the Double Tubing (P27) to the Power Cap on the Water Pump (P21).



TRANSPORTING BAIT

RECIRCULATION ADAPTOR

• This feature only works in conjunction with the GOFR Livewell Pump and accessories.

The Recirculation Adaptor circulates air and water to allow for the transportation of bait. Water runs through the Recirculation Adaptor's carbon filter before it enters the bait tank. The adaptor's carbon filter helps reduce harmful bacteria and debris buildup while transporting bait for long periods of time.

1. Attach Recirculation Tubing and Valve (P23) to Water Out port (P2).
2. Close the valve so no water drains out.
3. Fill your bucket or container one inch above the Drain Tube (P7).
 - NOTE:** For more secure and more water tight connection use Hose Clamps (P9).
4. Remove your Water Pump (P21) from the water.
5. Detach the Float (P18) and the Water and Power Tubing (P27).
6. Remove the Water Pump Cover (P22).
7. Attach the Recirculation Adapter (P23) to the Water Pump (P21) and reconnect Water and Power Tubing (P27).
8. Attach the Recirculation Adapter (P23) to the Recirculation Tubing (P24).
9. Open the Valve on the Recirculation Tubing (P24) to allow the water to flow.
10. Turn on your GOFR Water Pump (P21) and select the Recirculation Mode.

