



Auxiliary Light Mounting Bracket

BMW G310GS 2018-Present
LAH.07.11300

Thank you for choosing DENALI

We know you would rather be riding your bike than wrenching on it, so we go the extra mile to make sure our instructions are clear and as easy to understand as possible. If you have any questions, comments, or suggestions don't hesitate to give our gear experts a call at 401.360.2550 or visit WWW.DENALIELECTRONICS.COM

Please Read Before Installing

DENALI products should always be installed by a qualified motorcycle technician. If you are unsure of your ability to properly install a product, please have the product installed by your local motorcycle dealer. DENALI takes no responsibility for damages caused by improper installation. **Caution:** When installing electronics it is extremely important to pay close attention to how wires are routed, especially when mounting products to the front fender, front forks, or fairing of your motorcycle. Always be sure to turn the handlebars fully left, fully right, and fully compress the suspension to ensure the wires will not bind and have enough slack for your motorcycle to operate properly.

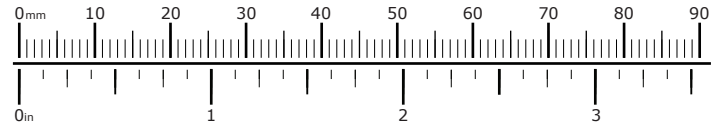
Installation Tips

We strongly recommend using medium strength liquid thread locker on all screws, nuts, and bolts. It is also important to ensure that all hardware is tightened to the proper torque specifications as listed in your owner's manual. For included accessory hardware please refer to the default torque specifications provided below. Inspect all hardware after the first 30 miles to ensure proper torque specifications are maintained.

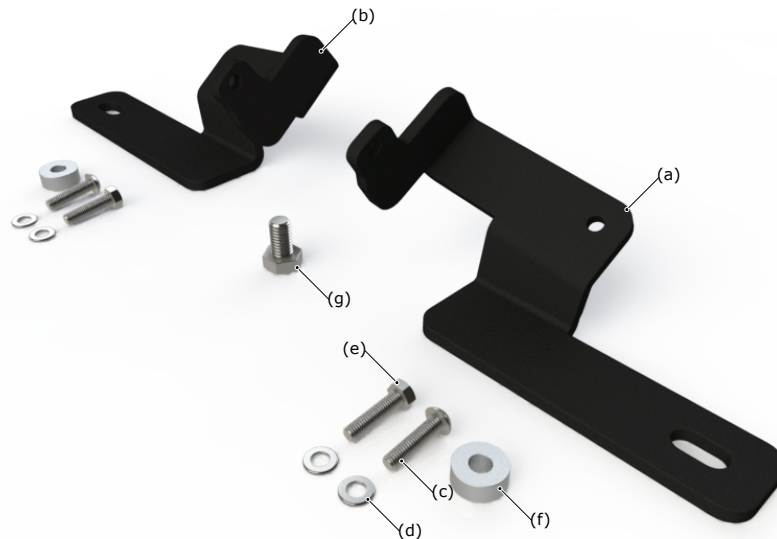
Bolt Size	in-lbs	ft-lbs	Nm
M3	10.0 in-lbs	-	1.0 Nm
M4	23.0 in-lbs	-	2.5 Nm
M5	44.5 in-lbs	3.5 ft-lbs	5.0 Nm
M6	78.0 in-lbs	6.5 ft-lbs	9.0 Nm
M8	-	13.5 ft-lbs	18.0 Nm
M10	-	30.0 ft-lbs	41.0 Nm
M12	-	52.0 ft-lbs	71.0 Nm

Hardware Sizing Guide

Not sure what size bolt you have? Use this ruler to measure screws, bolts, spacers, etc. Remember, the length of a screw or bolt is measured from the start of the "mounting surface" to the end of the screw, so only include the screw head when measuring countersunk screws.



What's In The Box?

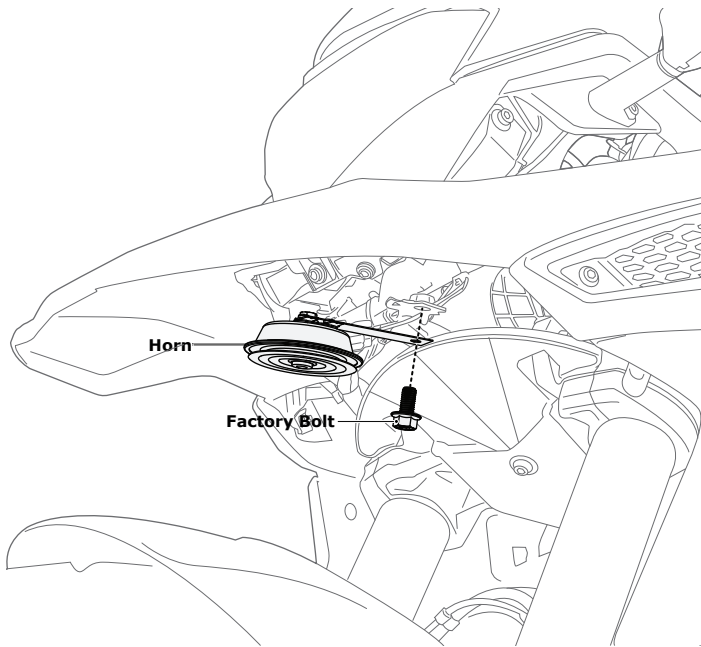


Kit Contents

- (a) Left Side Mounting Bracket.....Qty 1
- (b) Right Side Mounting Bracket.....Qty 1
- (c) M5x20 ISO 7380.....Qty 2
- (d) M5 Washer DIN 125.....Qty 4
- (e) M5x20 DIN 933.....Qty 2
- (f) Spacer - OD: 15.8mm, ID: 6.5mm, L: 6.3mm.....Qty 2
- (g) M8x14 DIN 933.....Qty 1

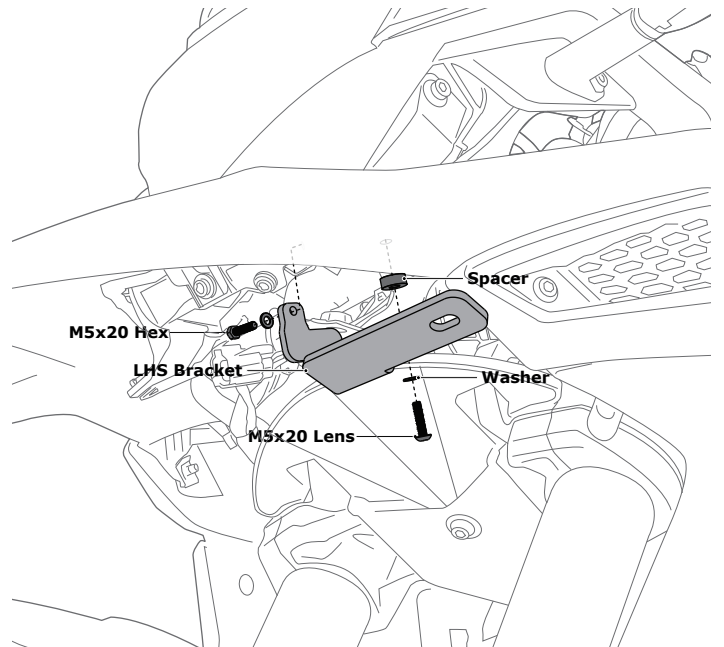
Tools Required: 13mm Wrench, 8mm Wrench, 3mm Allen Key

1. Installing The Light Mount



1.1 - Removing The Horn

Step One: Remove the horn from the underside of the front fairing by unscrewing the M8 mounting bolt.

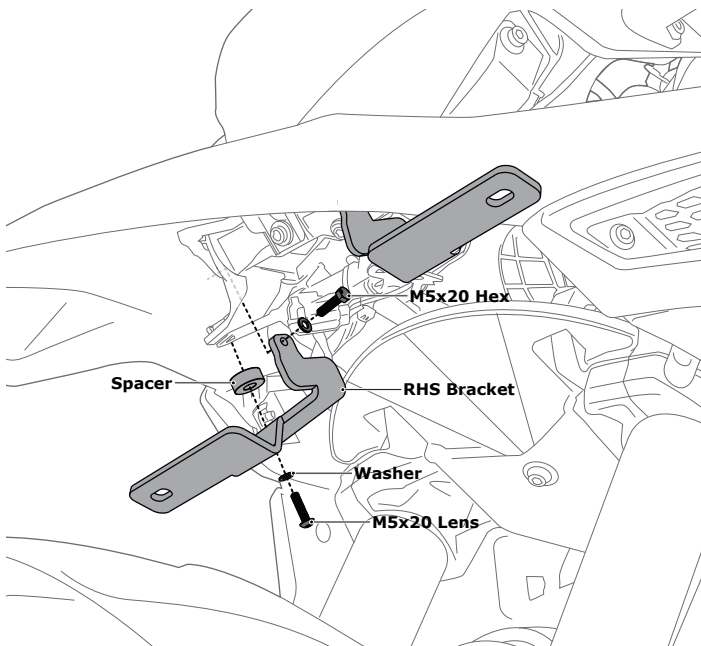


1.2 - Mounting The Left Side Bracket

Step One: Remove the two factory bolts from the mounting points.

Step Two: Use the M5x20 Lens Head (c), Washer (d) and Spacer (e) to attach the Left Side Bracket (a) to the outer mounting point.

Step Three: Use the M5x20 Hex Head (f) and Washer (d) to fasten the bracket (a) at the inner mounting point.

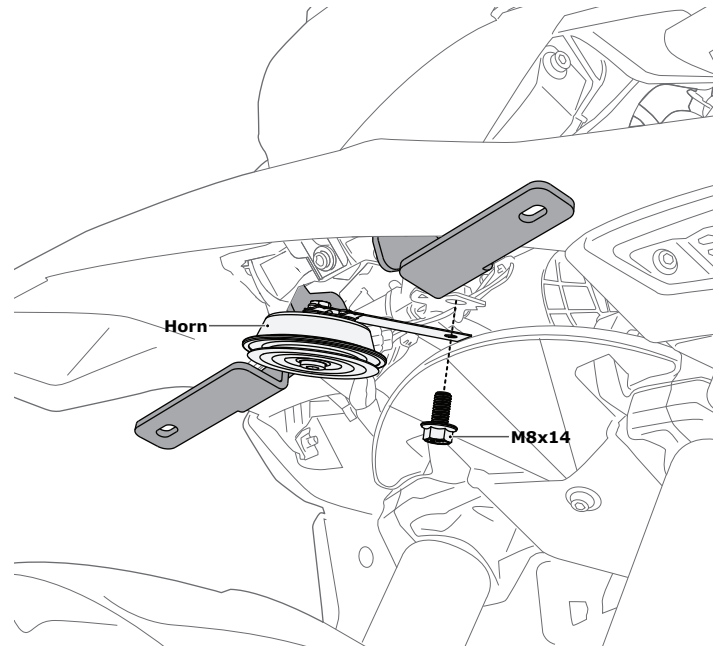


2.1 - Mounting The Right Side Bracket

Step One: Remove the two factory bolts from the mounting points.

Step Two: Use the M5x20 Lens Head (c), Washer (d) and Spacer (e) to attach the Right Side Bracket (b) to the outer mounting point.

Step Three: Use the M5x20 Hex Head (f) and Washer (d) to fasten the bracket (b) at the inner mounting point.



2.2 - Re-installing The Horn

Step One: Re-install the horn using the supplied M8x14 bolt (g).

Note: It may be necessary to loosen the 10mm nut on the back of horn and rotate the horn on its bracket to gain clearance for the horn connectors.