



T3 Ultra-Viz Lighting Kit Universal DNL.T3.10700

Thank you for choosing DENALI

We know you would rather be riding your bike than wrenching on it, so we go the extra mile to make sure our instructions are clear and as easy to understand as possible. If you have any questions, comments, or suggestions don't hesitate to give our gear experts a call at 401.360.2550 or visit WWW.DENALIELECTRONICS.COM

Please Read Before Installing

DENALI products should always be installed by a qualified motorcycle technician. If you are unsure of your ability to properly install a product, please have the product installed by your local motorcycle dealer. DENALI takes no responsibility for damages caused by improper installation. **Caution:** When installing electronics it is extremely important to pay close attention to how wires are routed, especially when mounting products to the front fender, front forks, or fairing of your motorcycle. Always be sure to turn the handlebars fully left, fully right, and fully compress the suspension to ensure the wires will not bind and have enough slack for your motorcycle to operate properly.

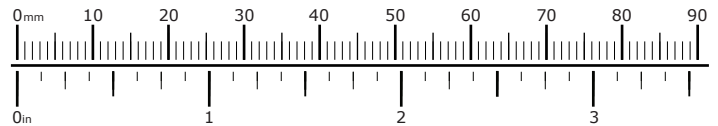
Installation Tips

We strongly recommend using medium strength liquid thread locker on all screws, nuts, and bolts. It is also important to ensure that all hardware is tightened to the proper torque specifications as listed in your owner's manual. For included accessory hardware please refer to the default torque specifications provided below. Inspect all hardware after the first 30 miles to ensure proper torque specifications are maintained.

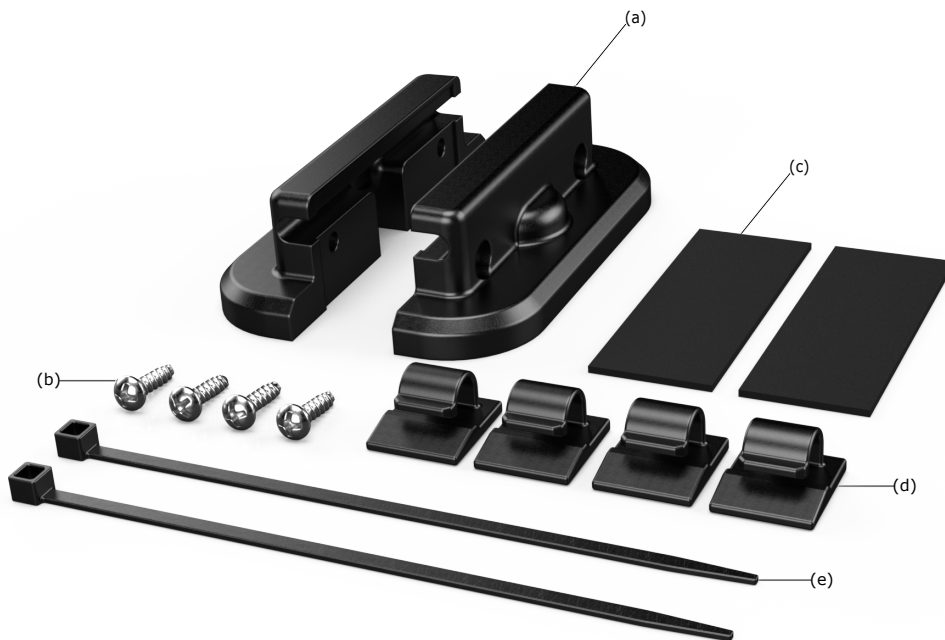
Bolt Size	in-lbs	ft-lbs	Nm
M3	10.0 in-lbs	-	1.0 Nm
M4	23.0 in-lbs	-	2.5 Nm
M5	44.5 in-lbs	3.5 ft-lbs	5.0 Nm
M6	78.0 in-lbs	6.5 ft-lbs	9.0 Nm
M8	-	13.5 ft-lbs	18.0 Nm
M10	-	30.0 ft-lbs	41.0 Nm
M12	-	52.0 ft-lbs	71.0 Nm

Hardware Sizing Guide

Not sure what size bolt you have? Use this ruler to measure screws, bolts, spacers, etc. Remember, the length of a screw or bolt is measured from the start of the "mounting surface" to the end of the screw, so only include the screw head when measuring countersunk screws.



What's In The Box?



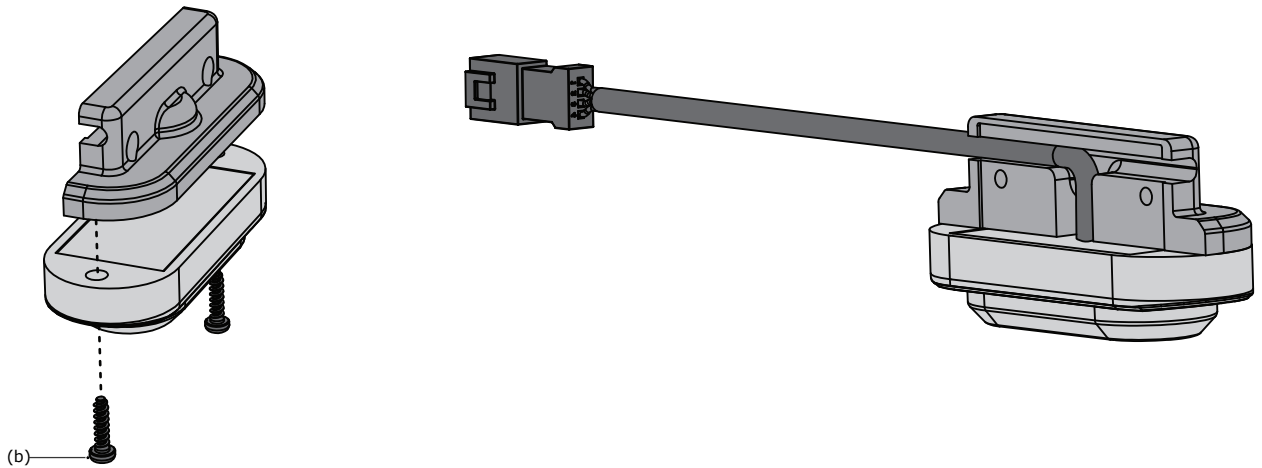
Kit Contents

- (a) Ultra-Viz Mount (LAH.00.11800-01).....Qty 2
- (b) Self Tapping Screw (SC.00.03.010.01.TRSPLAS).....Qty 4
- (c) 3M VHB 5952 Tape (VHB.5952.019.051.02).....Qty 2
- (d) Wire Clip (LAH.00.053).....Qty 4
- (e) Cable Tie (7021K61.X1).....Qty 2

Required Tools: Phillips Head Screw Driver

Optional Tools: 3/32" (0.094") Drill Bit, .125" or smaller punch, hammer, handheld drill

Fitment Note: This product is designed to be mounted on flat surfaces.

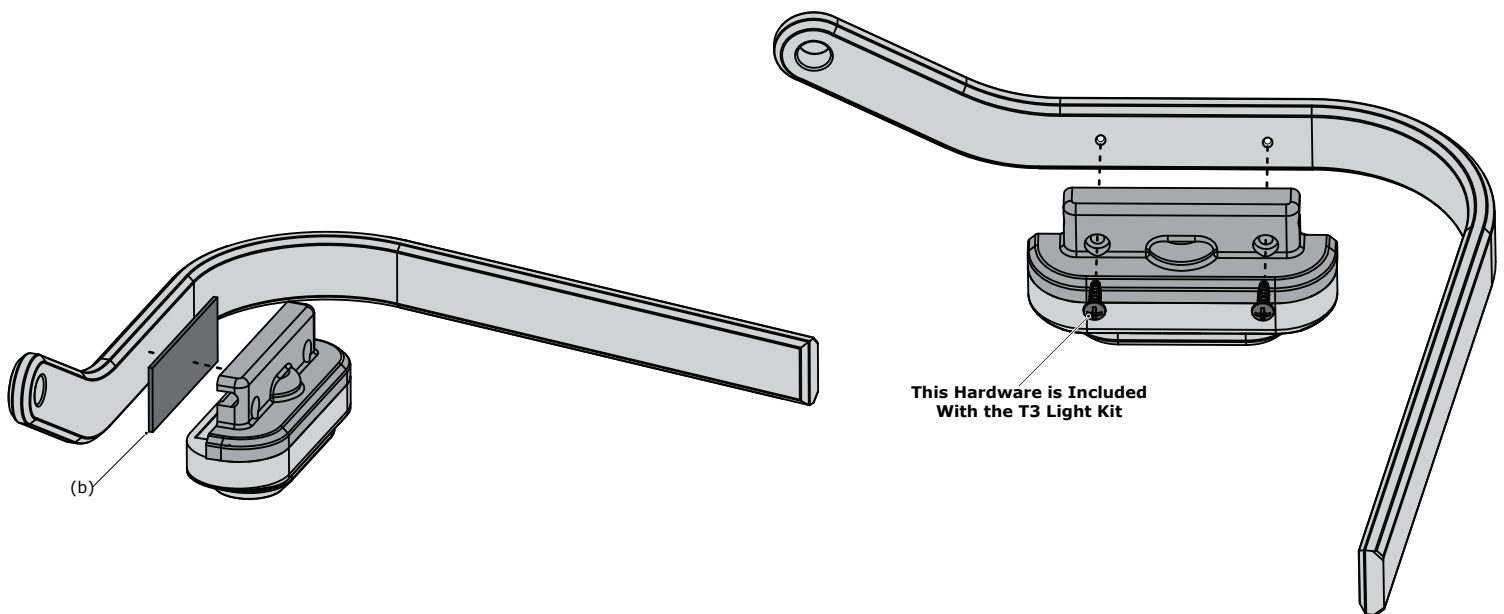


1.1 - Attach T3 Lights to the Mounts

Step One: With the (a) M3 x 10mm Self Tapping Screws (BLUNT NOSE), attach each T3 to a Ultra-Viz Mount.

NOTE: DO NOT OVERTIGHTEN the M3 x 10mm screws. Tighten until you feel the screws seat and no more. Overtightening introduces the risk of stripping the pilot holes in the mount.

Step Two: Route the T3 cable through the channel in the mount.



1.2 - Attach to the Vehicle (Option 1)

Step Three: Clean both mounting surfaces with rubbing alcohol to remove any dirt or grease that may inhibit adhesion of the VHB tape.

Step Four: Peel one side of the (c) VHB tape and adhere to the recessed area of the Ultra-Viz mount. Repeat this step for the second mount.

Step Five: Peel the other side of the (c) VHB tape and adhere the light assembly to the vehicle surface. Repeat this step for the second mount.

NOTE: For optimal adhesion, the following is advised:

- Apply pressure to the bond (15 psi)
- Allow for time to maximize the bond.
 - 20 minutes = 50% bond strength
 - 24 hours = 90% bond strength
 - 72 hours = 100% bond strength
- Minimum application temperature = 50 °F

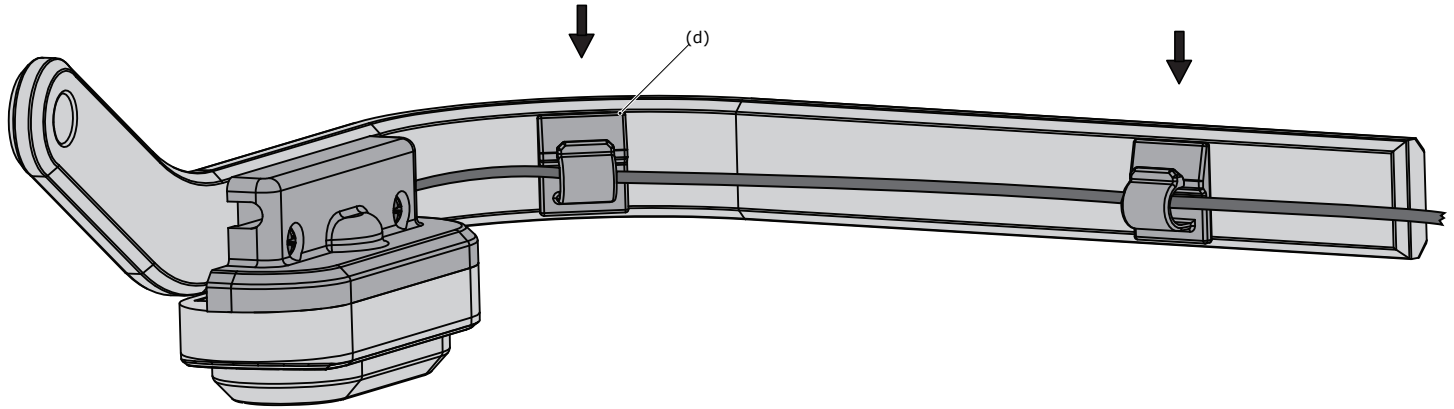
1.3 - Drill Mounting Holes (Option 2)

The T3 Light Kit includes (4) M3 x 14mm self tapping screws. These can be used to hard fasten the light assemblies to the vehicle at the locations prepared in Step 1.1. The (c) VHB Tape may or may not be used in addition the screws

Step Six: Place the Ultra-Viz mount (without tape) at the final mounting location. Use a steel punch to mark each mounting location, by placing it through the counter bored hole of the mount and striking the punch with a hammer.

Step Seven: With the 3/32" diameter drill bit, drill to a depth of 0.25" at each mark made by the steel punch.

Step Eight: Repeat Steps Six & Seven for the other side of the bike.



1.4 - Wire Routing

Step Nine: Route the T3 Light Harness forward along the inside of hand guard. Use the included (d) Wire Clips to retain the wire.

If working with Barkbuster VPS, fitted with the Wind Deflectors, they provide additional retention. Remove the upper Wind Deflector (2 Screws), route the wire between it and the primary guard, and refasten the Wind Deflector.

Step Ten: Use the (e) Cable Ties to retain each cable. A recommended location is where the Hand Guard clamps onto the Handle Bars.

1.5 - Wiring the T3 Lights

Follow the detailed Instruction Manual for DNL.T3.10200 (Front T3) or DNL.T3.10300 (Rear T3), which is found at www.DENALIElectronics.com.