



V-Twin Plug&Play SoundBomb™ Horn Bundle With Mount, Cover and Harness DNL.SB.VT200

Thank you for choosing DENALI

We know you would rather be riding your bike than wrenching on it, so we go the extra mile to make sure our instructions are clear and as easy to understand as possible. If you have any questions, comments, or suggestions don't hesitate to give our gear experts a call at 401.360.2550 or visit WWW.DENALIELECTRONICS.COM

Please Read Before Installing

DENALI products should always be installed by a qualified motorcycle technician. If you are unsure of your ability to properly install a product, please have the product installed by your local motorcycle dealer. DENALI takes no responsibility for damages caused by improper installation. **Caution:** When installing electronics it is extremely important to pay close attention to how wires are routed, especially when mounting products to the front fender, front forks, or fairing of your motorcycle. Always be sure to turn the handlebars fully left, fully right, and fully compress the suspension to ensure the wires will not bind and have enough slack for your motorcycle to operate properly.

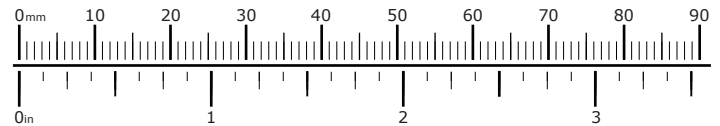
Installation Tips

We strongly recommend using medium strength liquid thread locker on all screws, nuts, and bolts. It is also important to ensure that all hardware is tightened to the proper torque specifications as listed in your owner's manual. For included accessory hardware please refer to the default torque specifications provided below. Inspect all hardware after the first 30 miles to ensure proper torque specifications are maintained.

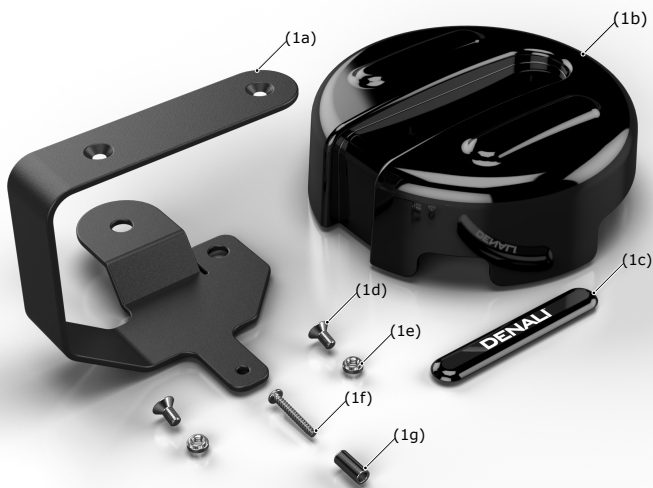
Bolt Size	in-lbs	ft-lbs	Nm
M3	10.0 in-lbs	-	1.0 Nm
M4	23.0 in-lbs	-	2.5 Nm
M5	44.5 in-lbs	3.5 ft-lbs	5.0 Nm
M6	78.0 in-lbs	6.5 ft-lbs	9.0 Nm
M8	-	13.5 ft-lbs	18.0 Nm
M10	-	30.0 ft-lbs	41.0 Nm
M12	-	52.0 ft-lbs	71.0 Nm

Hardware Sizing Guide

Not sure what size bolt you have? Use this ruler to measure screws, bolts, spacers, etc. Remember, the length of a screw or bolt is measured from the start of the "mounting surface" to the end of the screw, so only include the screw head when measuring countersunk screws.



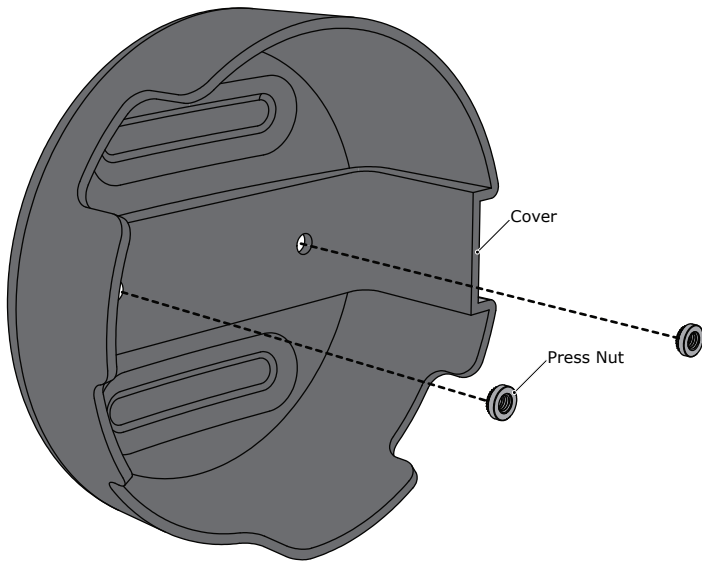
What's In The Box?



Kit Contents

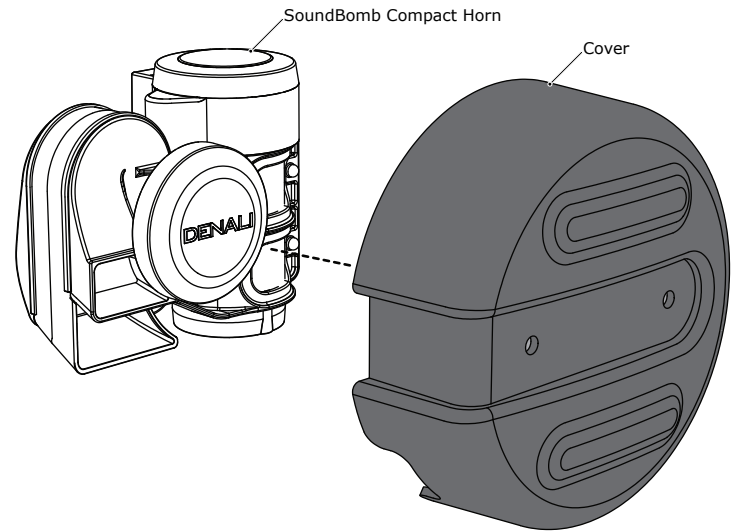
- (1) **Horn Cover Assembly**Qty 1
 - (a) Bracket.....(DNL.SB.005).....Qty 1
 - (b) Cover.....(DNL.SB.002).....Qty 1
 - (c) Decal.....Qty 1
 - (d) M5x10 DIN 7991.....Qty 2
 - (e) M5 Press Nut.....Qty 2
 - (f) No. 6 x 1" Self Tapping Screw.....Qty 1
 - (g) Spacer.....Qty 1

- (2) **SoundBomb Horn**.....(TT.SB.10000.B).....Qty 1
 - (a) SoundBomb Compact Horn.....Qty 1
 - (b) 12 Volt 30 Amp Relay.....Qty 1
 - (c) M8x16 DIN 933.....Qty 1
 - (d) M8 Nut DIN 985.....Qty 1
- (3) **Horn Wiring Harness**.....(DNL.ELC.004).....Qty 1
 - (a) Horn Wiring Harness.....Qty 1
 - (b) Posi-Tap.....Qty 2
 - (c) Female Spade Terminal.....Qty 2
 - (d) Male Spade Terminal.....Qty 2



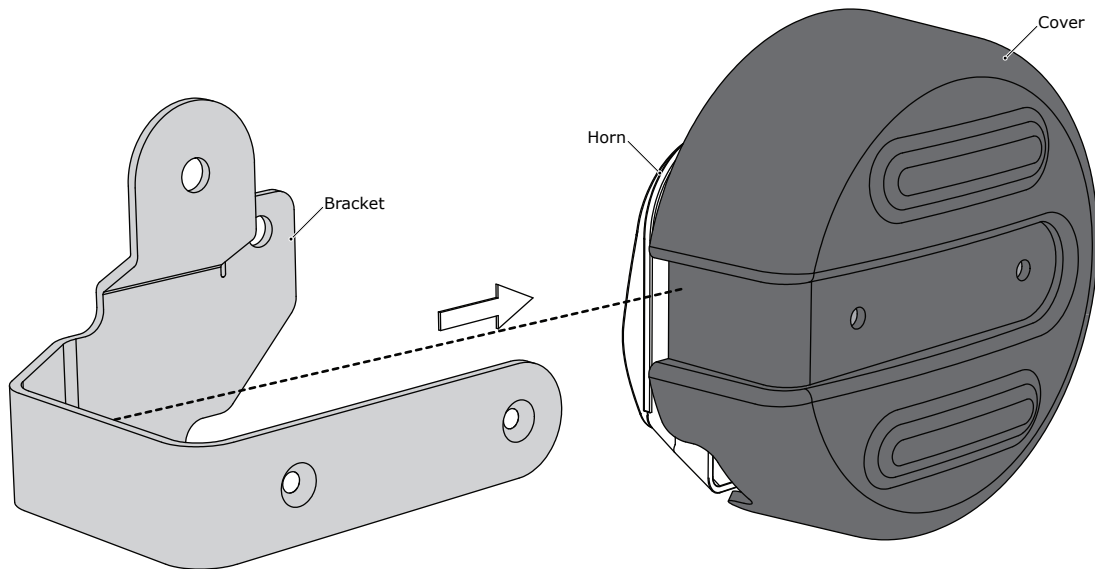
1. - Install Press Nuts

Step One: From the inside of the Cover (b), install a Press Nut (e) into each hole. The handle of a screwdriver can be useful to apply pressure to the nuts until they are fully seated in the plastic.



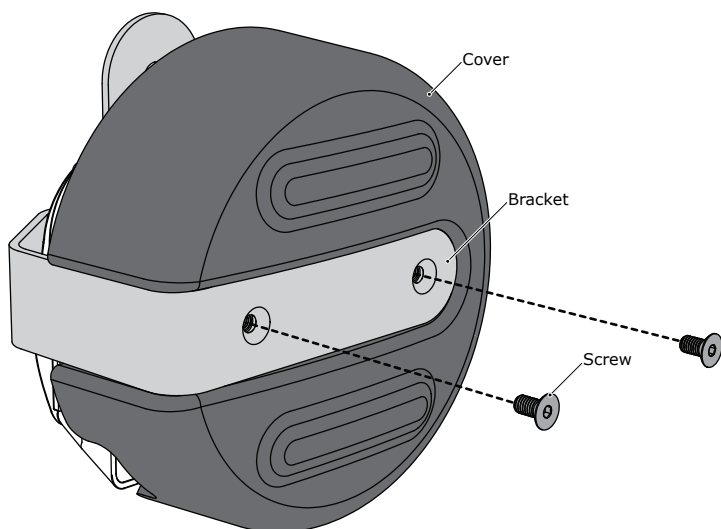
2. - Place Horn In Cover

Step One: Position the SoundBomb Compact Horn inside of the Cover (b).



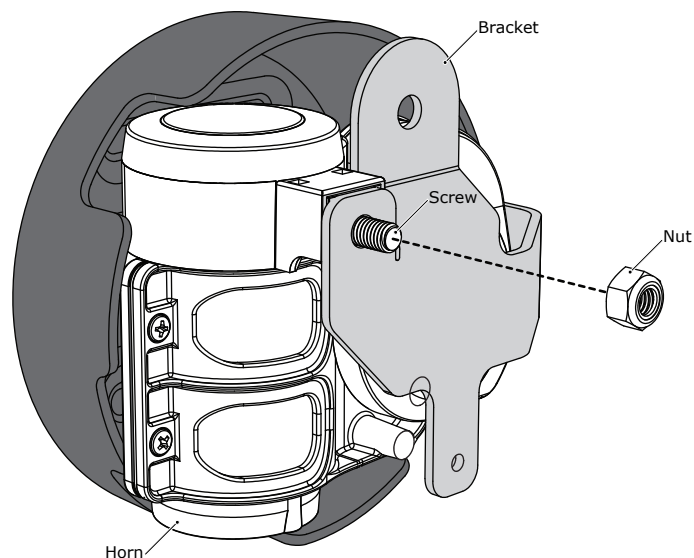
3. - Slide Bracket Over Assembly

Step One: With the Soundbomb Compact Horn positioned inside the Cover (b), slide the Bracket (a) over the entire assembly.



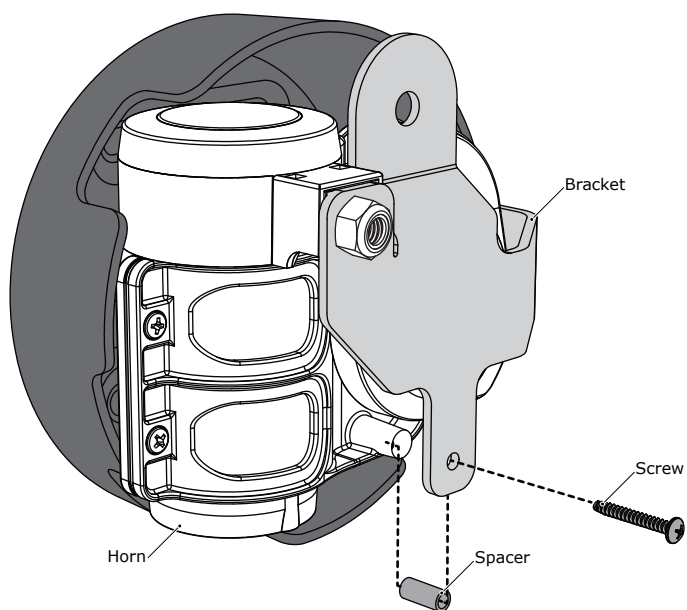
4. - Attach Bracket To Cover

Step One: Use the M5 Bolts (d) to attach the Bracket (a) to the Cover (b).



5.1- Attach Horn to Bracket

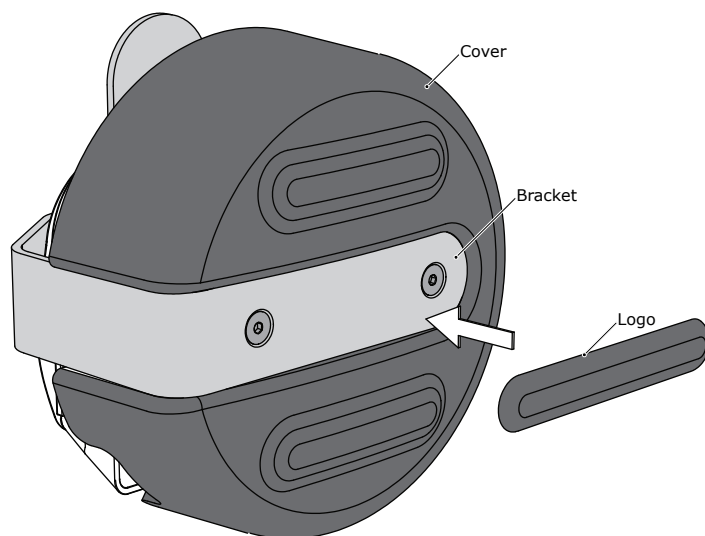
Step One: Use the M8 hardware (included with horn) to attach the SoundBomb Compact Horn to the upper mounting point of the Bracket (b). Do **NOT** fully tighten.



5.2 - Attach Horn to Bracket (Continued)

Step One: Use the Self Tapping Screw (f) and Spacer (g) to attach the Soundbomb Compact Horn to the lower mounting point of the Bracket (b).

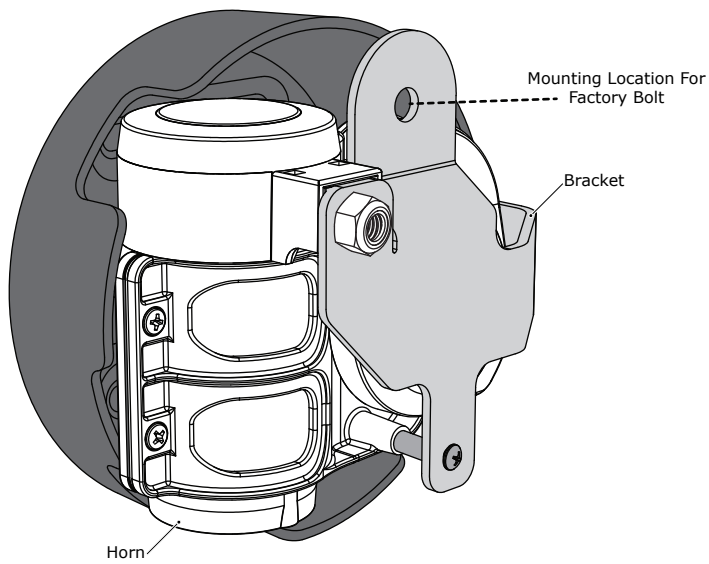
Step Two: Fully tighten the upper and lower mounting points.



6. - Apply Decal

Step One: Prep and clean the surface of the mounting Bracket (a) using an alcohol swab.

Step Two: Once dry, apply the Decal (c) to the Bracket (a) being sure the screws are fully covered and the logo sits centered and parallel to the edges of the bracket.



5.2 - Attach Bracket To Bike

Step One: Locate the factory horn and remove it from the bike, make sure to keep the mounting hardware.

Step Two: Identify the mounting hole on the top of the SoundBomb Bracket and use it to mount the Horn Assembly to the bikes factory horn location. Re-use the domed nut from the factory horn to secure the SoundBomb Horn Assembly and properly tighten it to spec.