


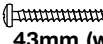

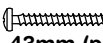


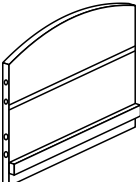


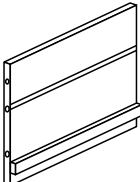
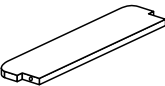

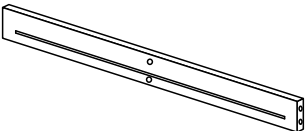
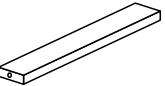
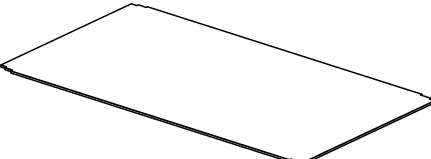
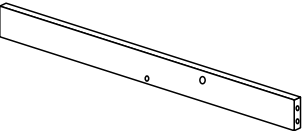

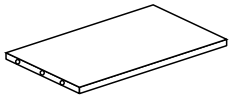
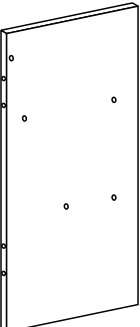
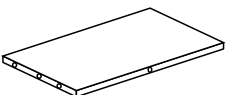
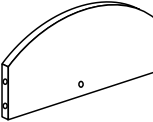




Please check components prior to assembly and then match the letters & numbers for each component with assembly diagrams.

Screws for a ssembly A  x3 B  x3 C  x 49		D  x16 43mm (white) E  x23 30mm F  x2 43mm (pink) G  x6 20mm	1 	2 	3 	4 	5 
6 	7 	8 	9 	10 	11 		
12 	13 	14 	15 	16 	17 	18  x2	

ATTENTION !

- The sharp tip of screws may scratch hands.
- Tighten all the screws before giving this toy to a child.
- Do not OVER tighten screws.
- Electric screwdrivers should NOT be used for assembly.
- Please be sure to remove packaging, all rubber bands, wire ties and tags or fastenings from the toy. They are not part of this toy and must be removed and discarded before giving it to your child.

Please keep this packaging for future reference since it contains important information. Adult assembly required. Please read enclosed instructions before use. **SPECIFICATIONS, COLOURS AND CONTENTS MAY VARY FROM ILLUSTRATIONS.** Young children in play are unaware of potential dangers and hazards, therefore responsible adult supervision is essential.

WARNING:

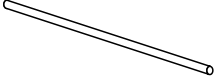

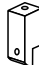
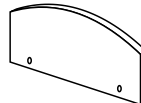
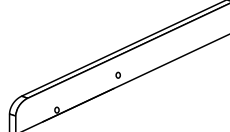
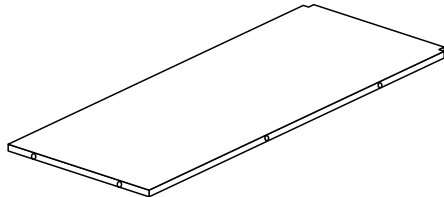
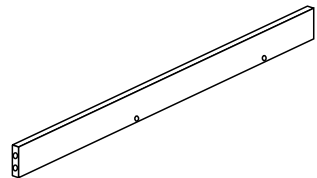
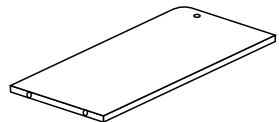
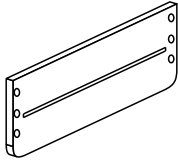
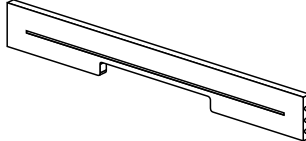
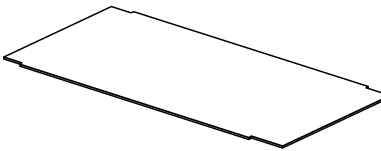
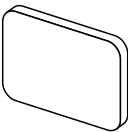
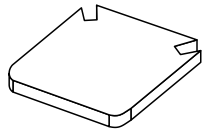
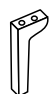



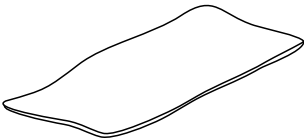
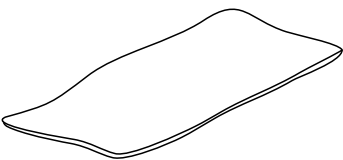
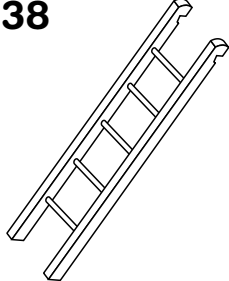

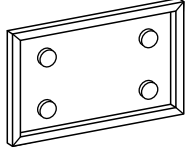
CHOKING HAZARD - Small parts.
 Not for children under 3 years.
 Adult assembly required.



OrangeOnions
 21930 Miles Rd
 Cleveland, OH 44128
 Made in China

Item No. 34073

Please check components prior to assembly and then match the letters & numbers for each component with assembly diagrams.

19  x2	20 	21 	22 	23 	24 	25 		
26 	27  x2	28  x2	29 	30 	31 			
32  x2	33  x1	34  x1	35  x2	36  x2	37  x4	38 	39  x4	40 

ATTENTION!

- The sharp tip of screws may scratch hands.
- Tighten all the screws before giving this toy to a child.
- Do not OVER tighten screws.
- Electric screwdrivers should NOT be used for assembly.
- Please be sure to remove packaging, all rubber bands, wire ties and tags or fastenings from the toy. They are not part of this toy and must be removed and discarded before giving it to your child.

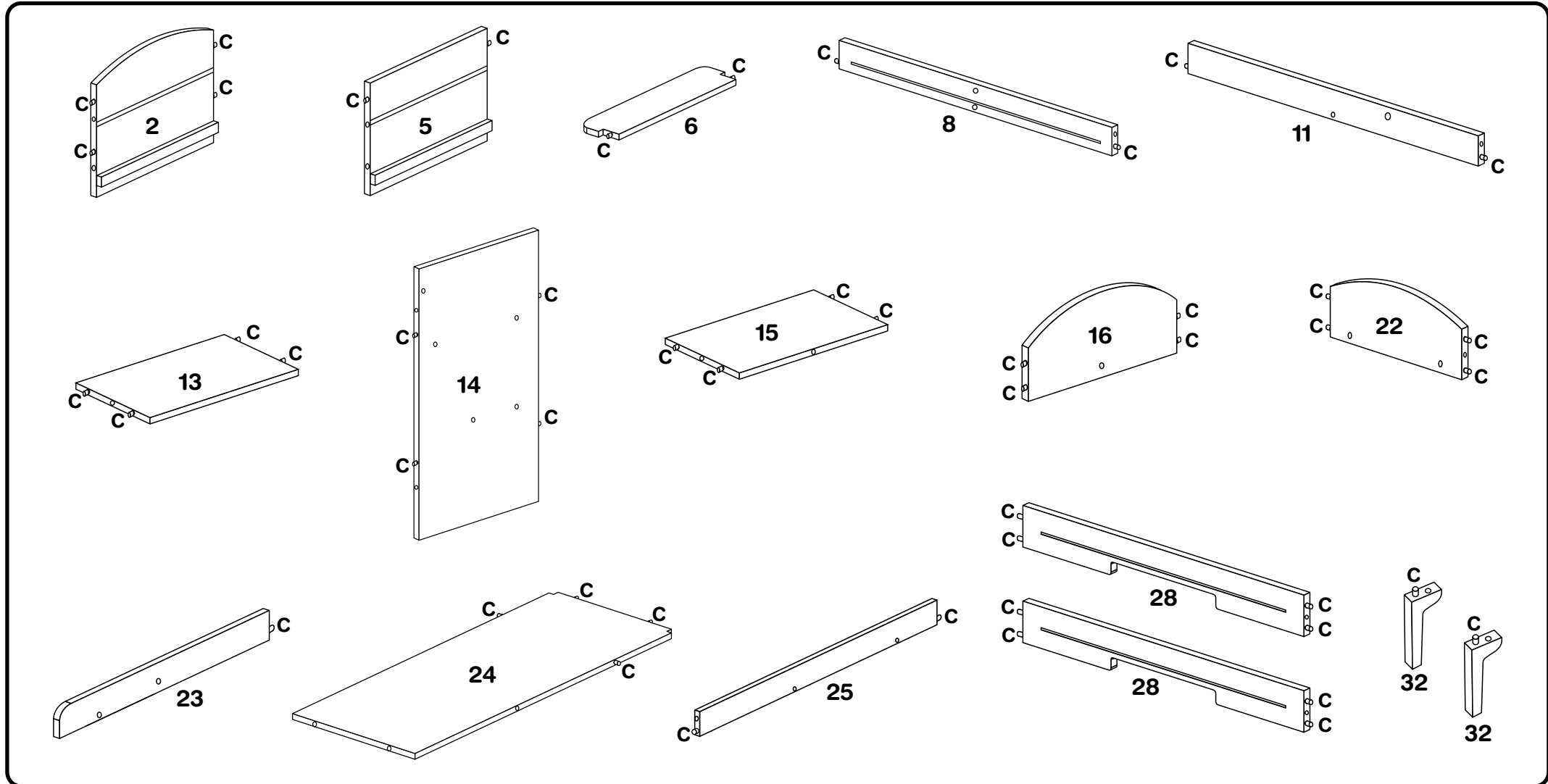
Please keep this packaging for future reference since it contains important information. Adult assembly required. Please read enclosed instructions before use. **SPECIFICATIONS, COLOURS AND CONTENTS MAY VARY FROM ILLUSTRATIONS.** Young children in play are unaware of potential dangers and hazards, therefore responsible adult supervision is essential.

WARNING:
CHOKING HAZARD - Small parts.
Not for children under 3 years.
Adult assembly required.



OrangeOnions
21930 Miles Rd
Cleveland, OH 44128
Made in China

Item No. 34073



ATTENTION!

- The sharp tip of screws may scratch hands.
- Tighten all the screws before giving this toy to a child.
- Do not OVER tighten screws.
- Electric screwdrivers should NOT be used for assembly.
- Please be sure to remove packaging, all rubber bands, wire ties and tags or fastenings from the toy. They are not part of this toy and must be removed and discarded before giving it to your child.

Please keep this packaging for future reference since it contains important information. Adult assembly required. Please read enclosed instructions before use. **SPECIFICATIONS, COLOURS AND CONTENTS MAY VARY FROM ILLUSTRATIONS.** Young children in play are unaware of potential dangers and hazards, therefore responsible adult supervision is essential.

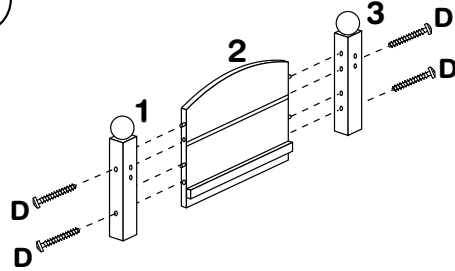
WARNING:
CHOKING HAZARD - Small parts.
Not for children under 3 years.
Adult assembly required.



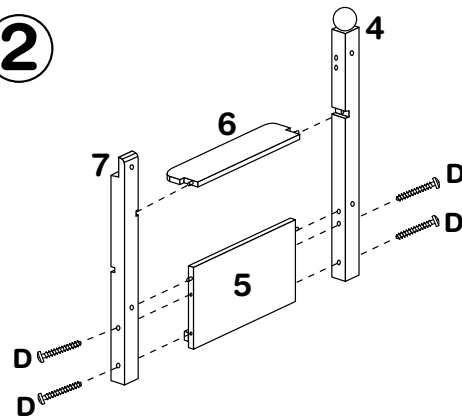
OrangeOnions
21930 Miles Rd
Cleveland, OH 44128
Made in China

Item No. 34073

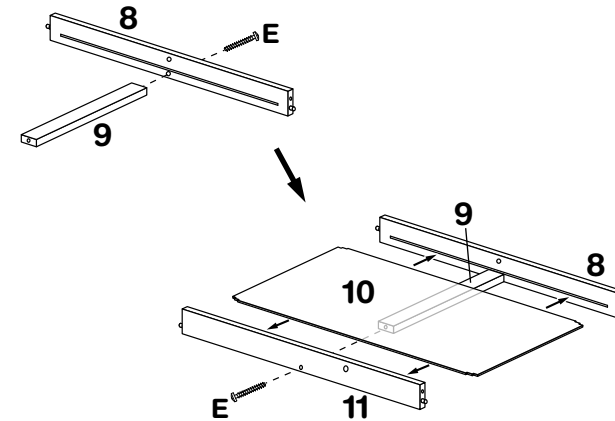
1



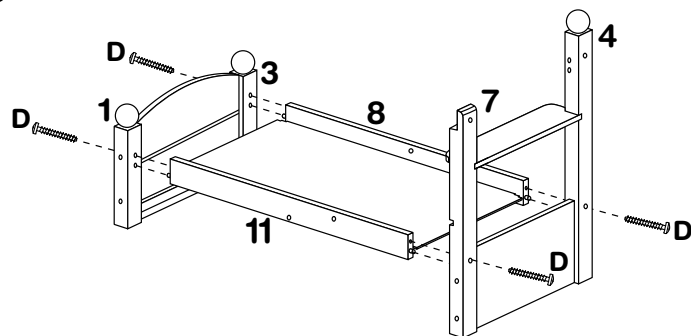
2



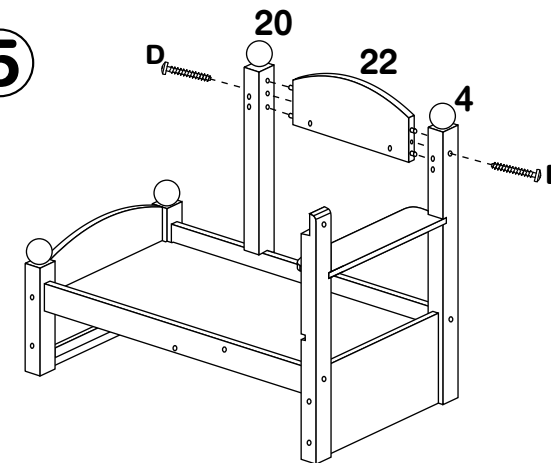
3



4



5



ATTENTION!

- The sharp tip of screws may scratch hands.
- Tighten all the screws before giving this toy to a child.
- Do not OVER tighten screws.
- Electric screwdrivers should NOT be used for assembly.
- Please be sure to remove packaging, all rubber bands, wire ties and tags or fastenings from the toy. They are not part of this toy and must be removed and discarded before giving it to your child.

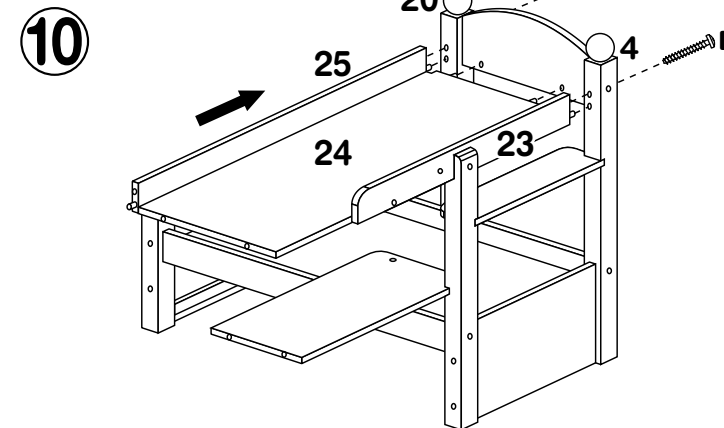
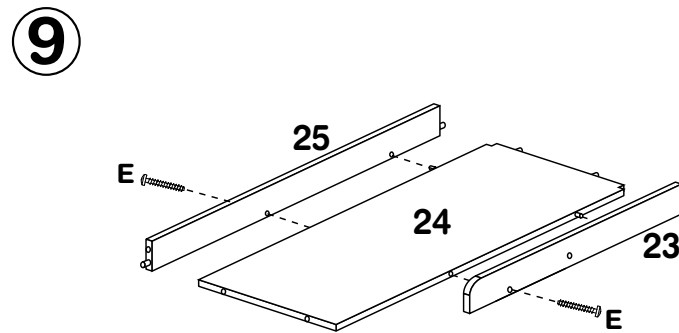
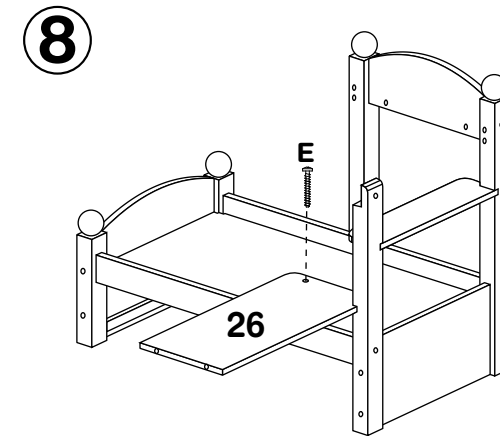
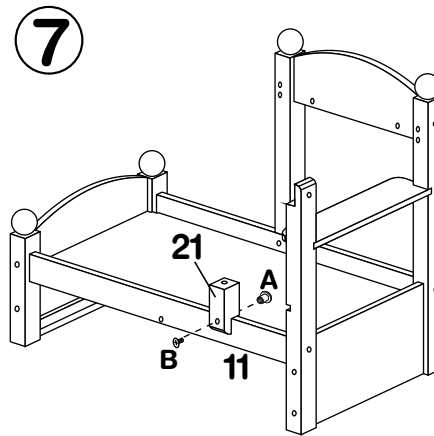
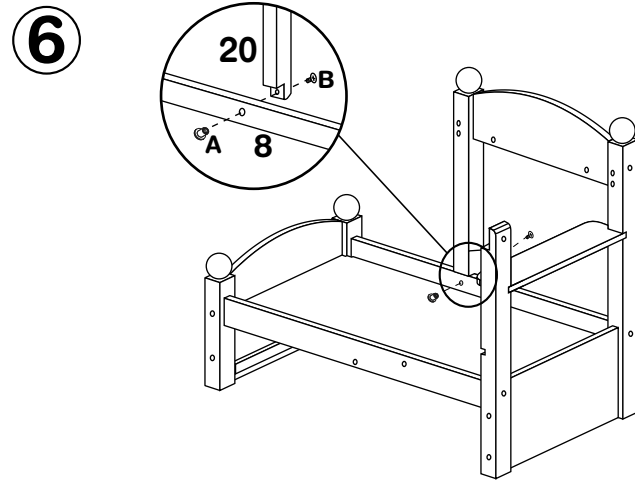
Please keep this packaging for future reference since it contains important information. Adult assembly required. Please read enclosed instructions before use. **SPECIFICATIONS, COLOURS AND CONTENTS MAY VARY FROM ILLUSTRATIONS.** Young children in play are unaware of potential dangers and hazards, therefore responsible adult supervision is essential.

WARNING:
CHOKING HAZARD - Small parts.
Not for children under 3 years.
Adult assembly required.



OrangeOnions
21930 Miles Rd
Cleveland, OH 44128
Made in China

Item No. 34073



ATTENTION!

- The sharp tip of screws may scratch hands.
- Tighten all the screws before giving this toy to a child.
- Do not OVER tighten screws.
- Electric screwdrivers should NOT be used for assembly.
- Please be sure to remove packaging, all rubber bands, wire ties and tags or fastenings from the toy. They are not part of this toy and must be removed and discarded before giving it to your child.

Please keep this packaging for future reference since it contains important information. Adult assembly required. Please read enclosed instructions before use. **SPECIFICATIONS, COLOURS AND CONTENTS MAY VARY FROM ILLUSTRATIONS.** Young children in play are unaware of potential dangers and hazards, therefore responsible adult supervision is essential.

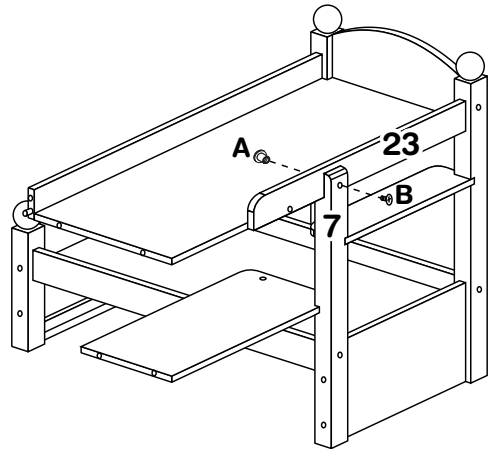
WARNING:
CHOKING HAZARD - Small parts.
Not for children under 3 years.
Adult assembly required.



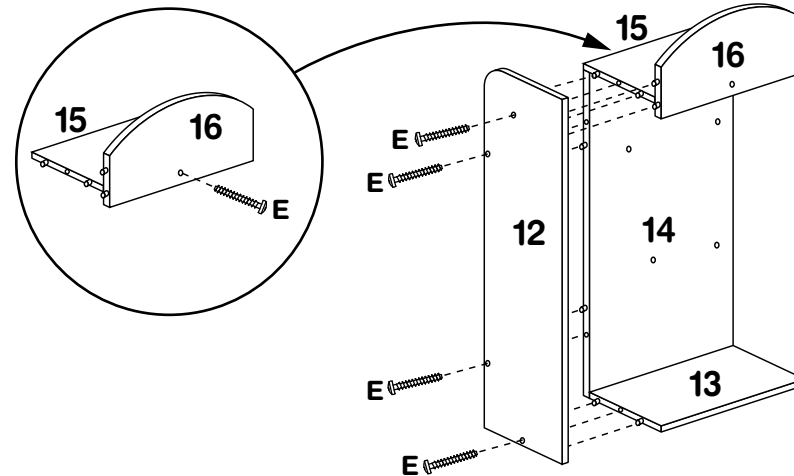
OrangeOnions
21930 Miles Rd
Cleveland, OH 44128
Made in China

Item No. 34073

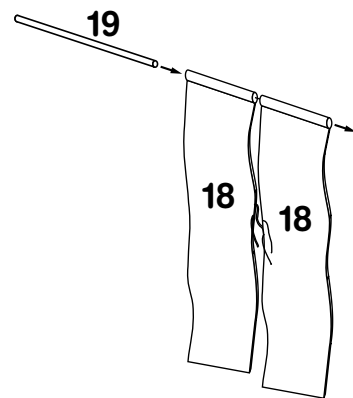
11



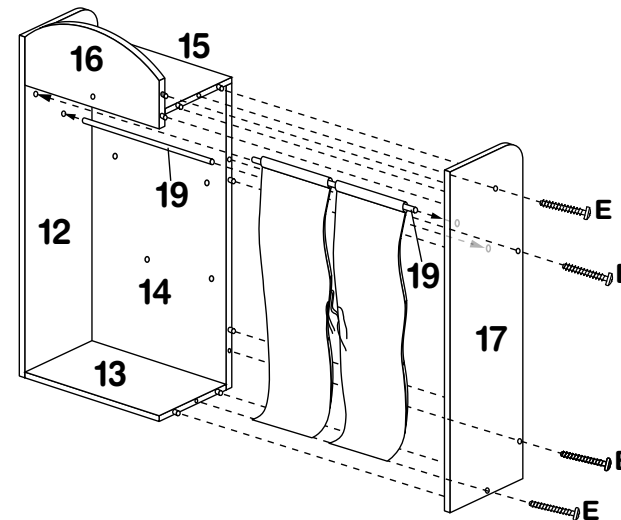
12



13



14



ATTENTION!

- The sharp tip of screws may scratch hands.
- Tighten all the screws before giving this toy to a child.
- Do not OVER tighten screws.
- Electric screwdrivers should NOT be used for assembly.
- Please be sure to remove packaging, all rubber bands, wire ties and tags or fastenings from the toy. They are not part of this toy and must be removed and discarded before giving it to your child.

Please keep this packaging for future reference since it contains important information. Adult assembly required. Please read enclosed instructions before use. **SPECIFICATIONS, COLOURS AND CONTENTS MAY VARY FROM ILLUSTRATIONS.** Young children in play are unaware of potential dangers and hazards, therefore responsible adult supervision is essential.

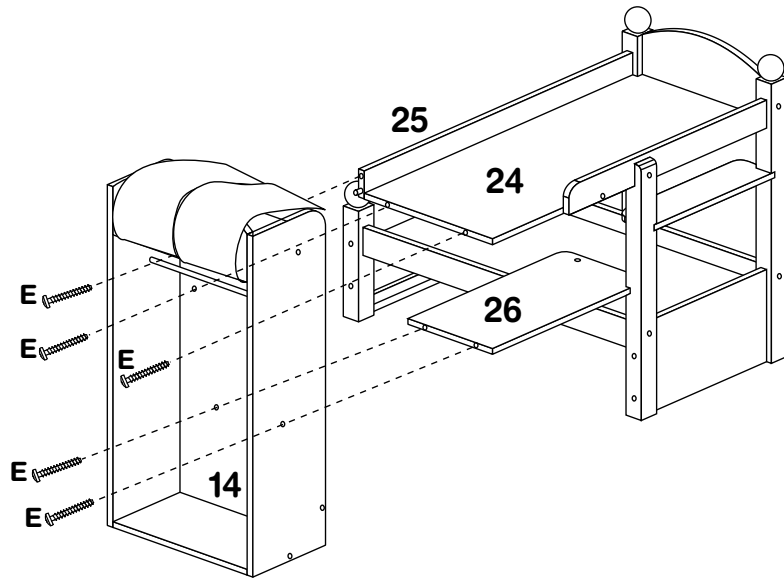
WARNING:
CHOKING HAZARD - Small parts.
Not for children under 3 years.
Adult assembly required.



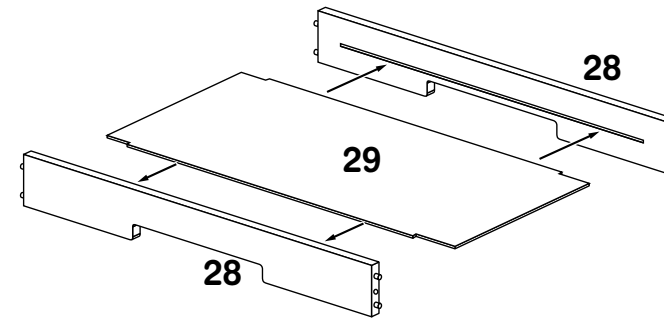
OrangeOnions
21930 Miles Rd
Cleveland, OH 44128
Made in China

Item No. 34073

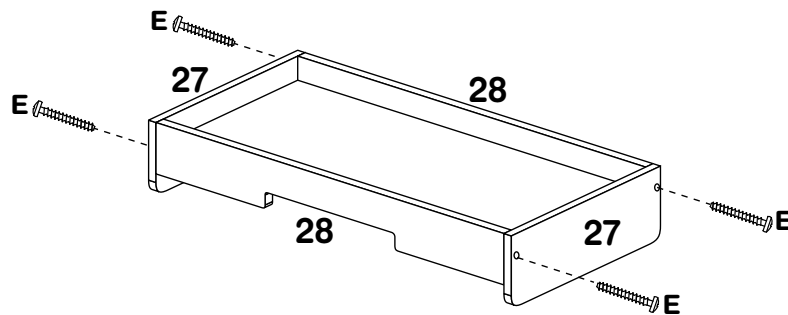
15



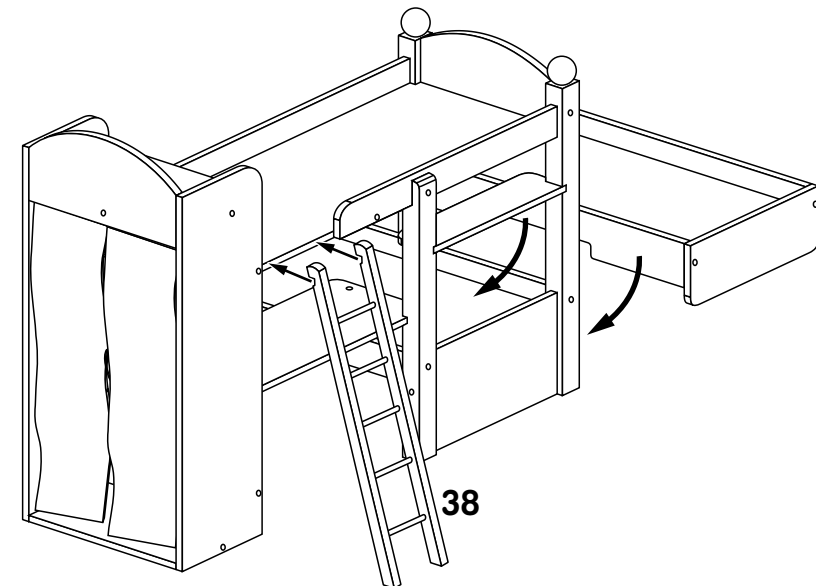
16



17



18



ATTENTION!

- The sharp tip of screws may scratch hands.
- Tighten all the screws before giving this toy to a child.
- Do not OVER tighten screws.
- Electric screwdrivers should NOT be used for assembly.
- Please be sure to remove packaging, all rubber bands, wire ties and tags or fastenings from the toy. They are not part of this toy and must be removed and discarded before giving it to your child.

Please keep this packaging for future reference since it contains important information. Adult assembly required. Please read enclosed instructions before use. **SPECIFICATIONS, COLOURS AND CONTENTS MAY VARY FROM ILLUSTRATIONS.** Young children in play are unaware of potential dangers and hazards, therefore responsible adult supervision is essential.

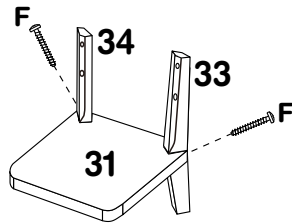
WARNING:
CHOKING HAZARD - Small parts.
Not for children under 3 years.
Adult assembly required.



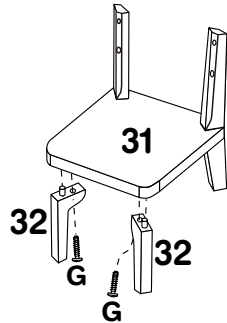
OrangeOnions
21930 Miles Rd
Cleveland, OH 44128
Made in China

Item No. 34073

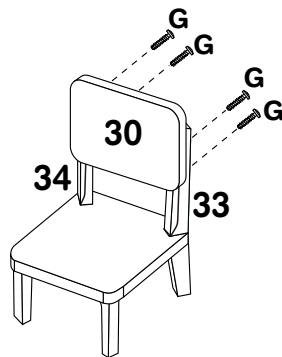
19



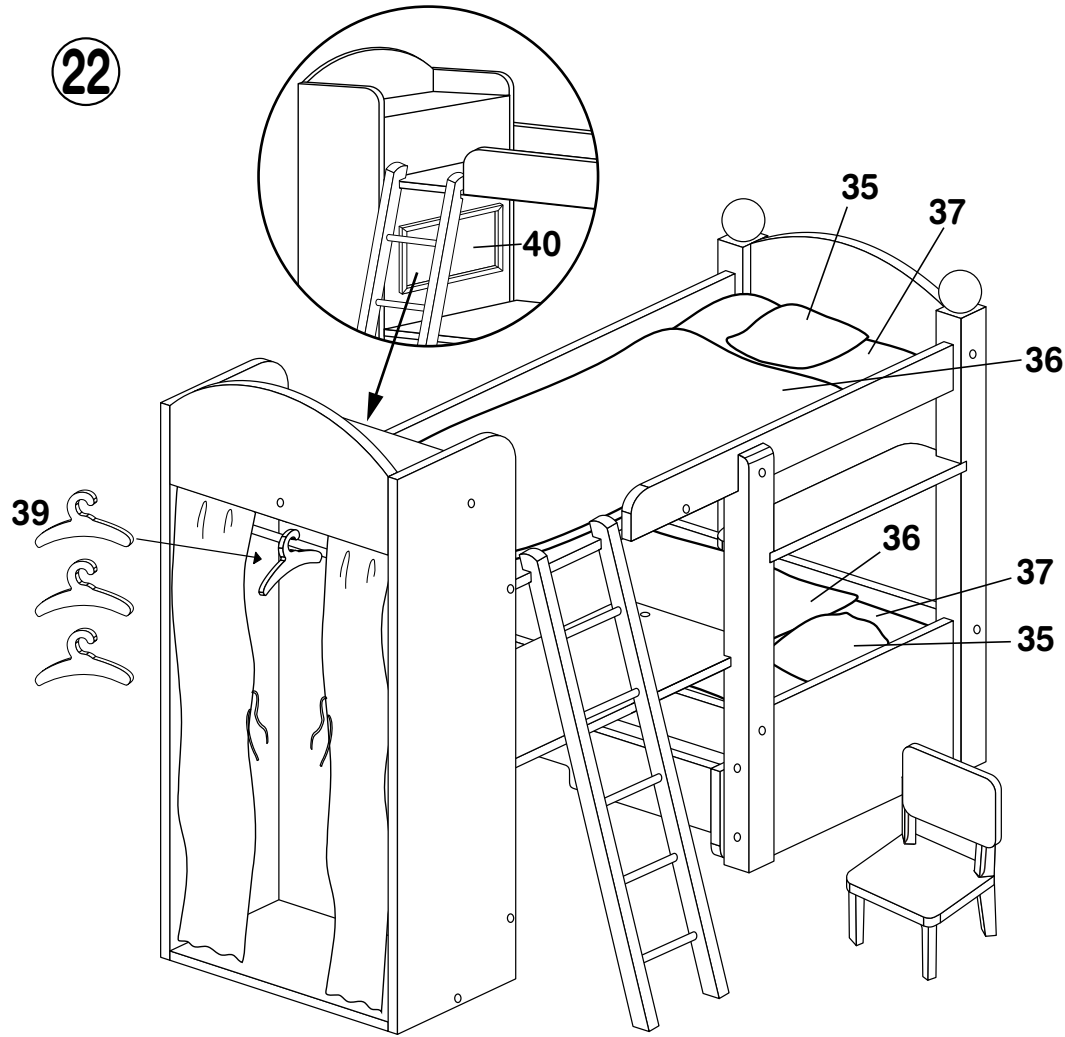
20



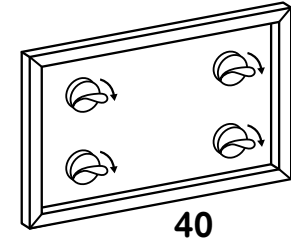
21



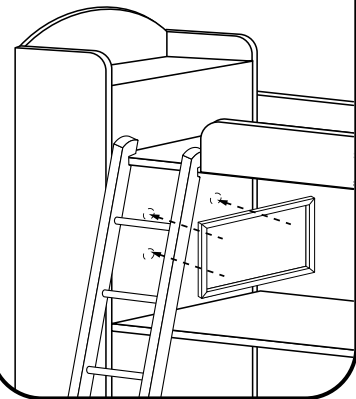
22



Peel off stickers



Stick the board on the back of wardrobe



ATTENTION!

- The sharp tip of screws may scratch hands.
- Tighten all the screws before giving this toy to a child.
- Do not OVER tighten screws.
- Electric screwdrivers should NOT be used for assembly.
- Please be sure to remove packaging, all rubber bands, wire ties and tags or fastenings from the toy. They are not part of this toy and must be removed and discarded before giving it to your child.

Please keep this packaging for future reference since it contains important information. Adult assembly required. Please read enclosed instructions before use. **SPECIFICATIONS, COLOURS AND CONTENTS MAY VARY FROM ILLUSTRATIONS.** Young children in play are unaware of potential dangers and hazards, therefore responsible adult supervision is essential.

WARNING:
CHOKING HAZARD - Small parts.
Not for children under 3 years.
Adult assembly required.



OrangeOnions
21930 Miles Rd
Cleveland, OH 44128
Made in China

Item No. 34073