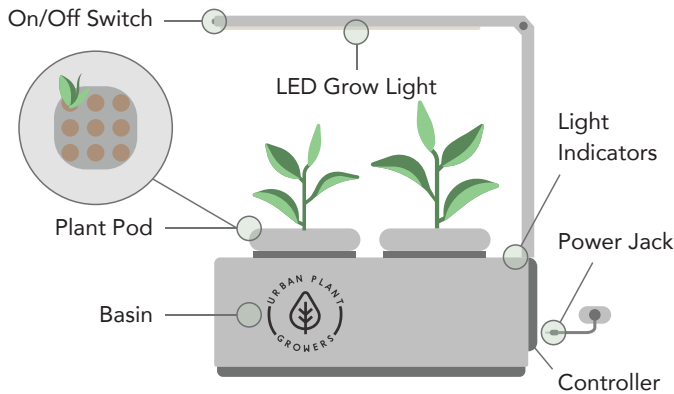


INCLUDED PARTS

- Users manual
- Basin
- Plant Pod & cover x 2
- 18 Watt LED Grow Light
- Smart Soil
- Small (50g) Hydroponic Nutrients Jar
- AC to 16V DC Power adapter (Australian Outlet)



TIME TO START AGAIN?

Once you've used all your new home-grown greens up, it's time to start again!

1. Remove all of the old plant matter from the growth medium.
2. Rinse the growth medium in water.
3. Set up the unit as before and start again!

LIGHTING

MODES

1. OFF
2. Reading Light
3. Grow Light
4. Grow Light on Automatic Timer

Each time you press the light button, the light will switch between modes 1, 2 and 3.

Holding the button down for a few seconds will turn the automatic timer on. The automatic timer will set the light to a sequence of **16hrs ON / 8hrs OFF**. To indicate that the timer mode is on, the **blue light** on the button will light up.

URBAN
PLANT
GROWERS

INDOOR SMART GARDEN



USERS MANUAL

Scan the QR code to view our helpful set up videos, links & resources!



Rated Wattage: 18W

Share a picture of your Indoor Smart Garden in action and tag us @urbanplantgrowers

INSTRUCTIONS

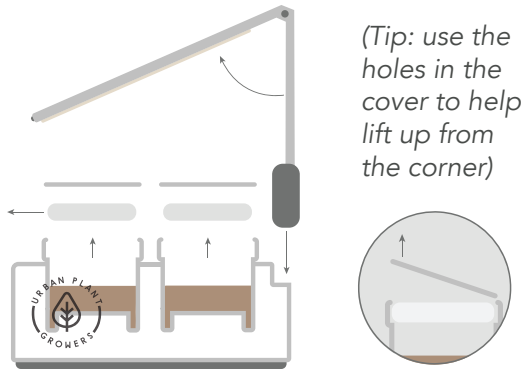
FOR SET UP



Read seed specifications to place your smart garden in a position that will best suit the plant's requirements.

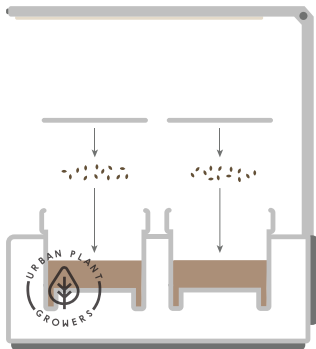
1. ASSEMBLE

Slide the LED Grow Light into the basin & adjust the arm to a 90° angle. Pull off plant pod covers and remove the foam pads.



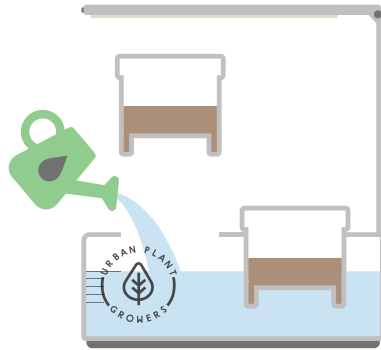
2. PLANT SEEDS

Before replacing the plant pod covers, plant your seeds into the planting pods and re-attach (click plant pod covers into place).



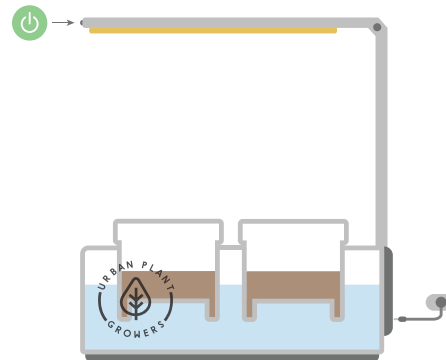
3. WATER

Add 1.5L of water into the water reservoir up to the line indicated inside the basin.



4. PLUG IN

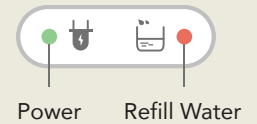
Plug the adapter into the controller and into the nearest socket. Turn the LED Grow Light ON/OFF using the button at the end of the arm.



REFILL WATER

Use the cover flap next to the light indicators to add water easily. Refill as needed, though there is no need to be precise! Just make sure to keep the roots of your plants submerged.

The device will beep and the red refill light will turn on when it's time to refill the basin.



WARNING!

Keep water away from cords & their connection points.



ADD NUTRIENTS

Once your plants have germinated, add 1 scoop of nutrients.

When it's time to refill water, refill the entire reservoir & add 1 scoop of nutrients per refill.

Stir until dissolved.

As you get more experienced you will be able to judge the health of your plant visually & add nutrients accordingly.

WARNING!

Read nutrient safety information on jar.